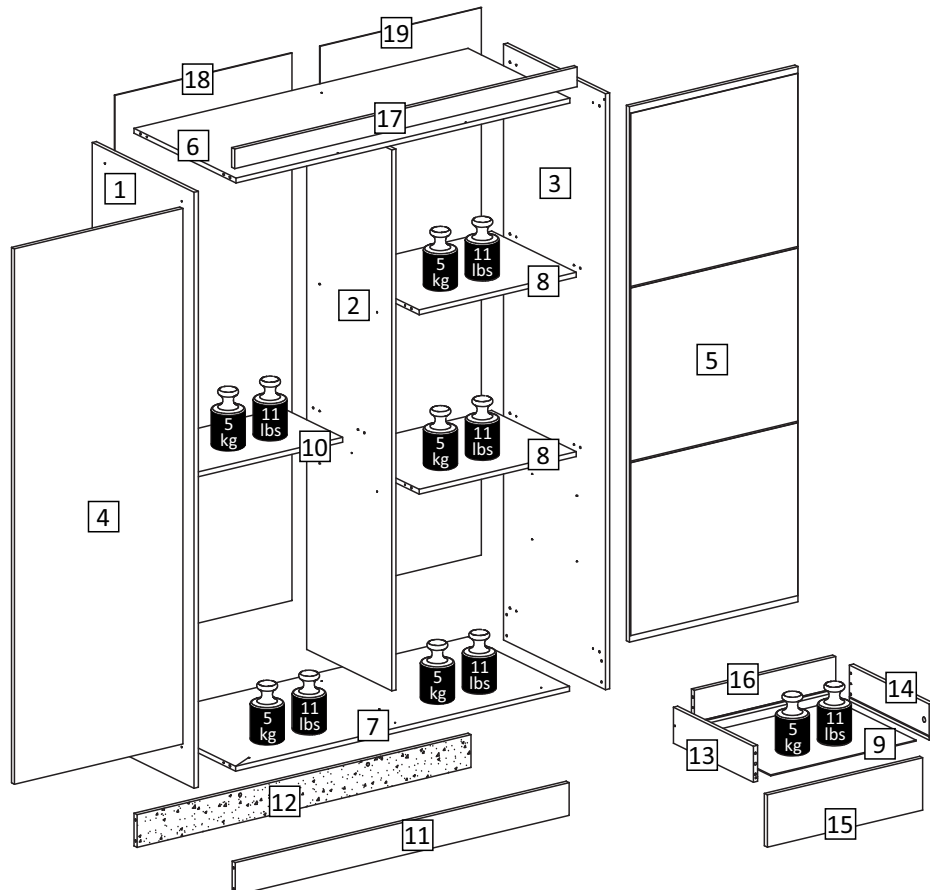
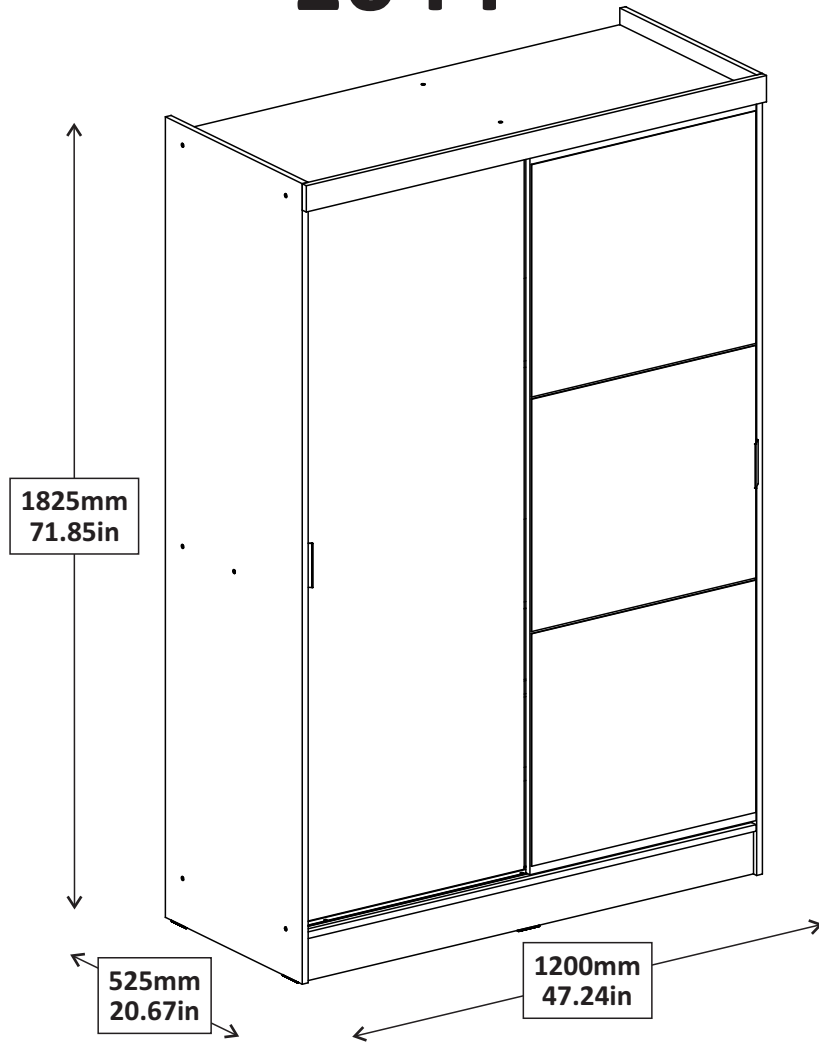
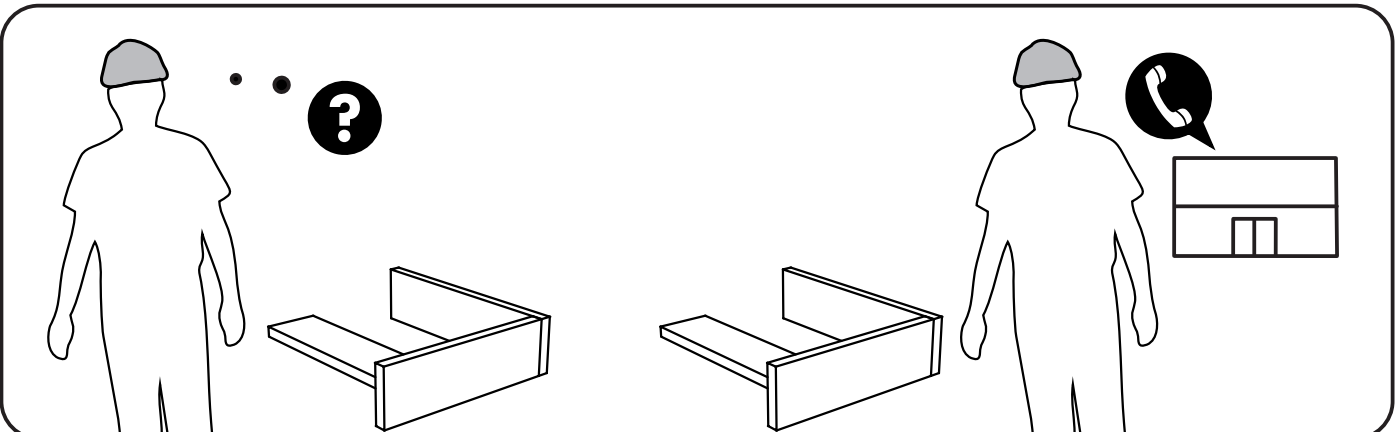
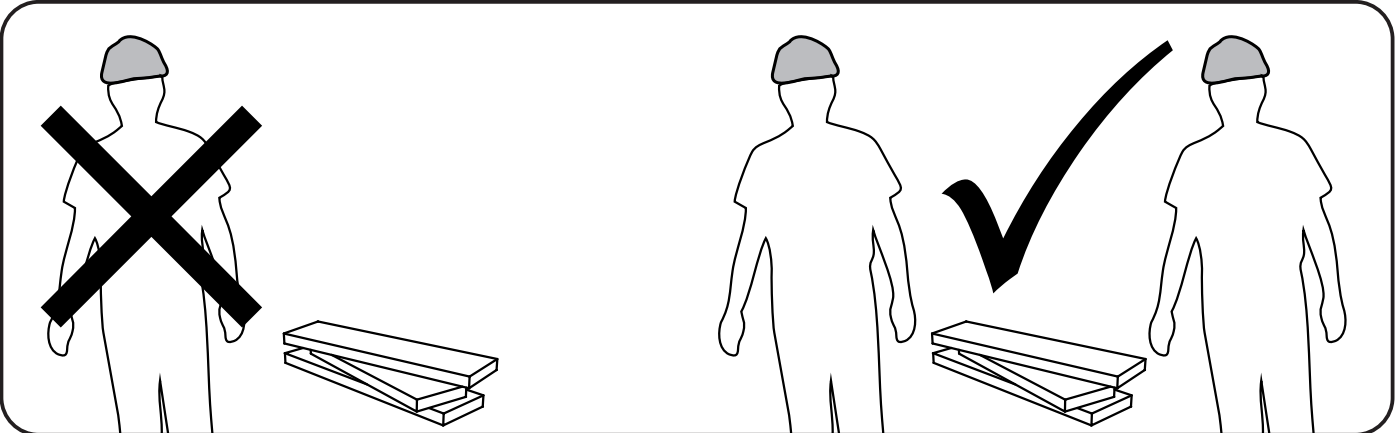
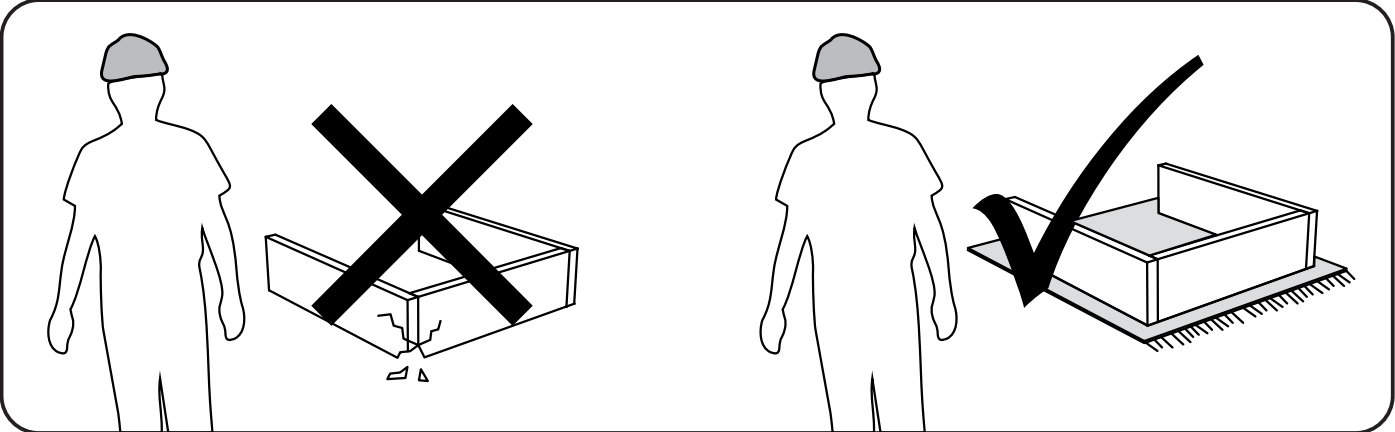
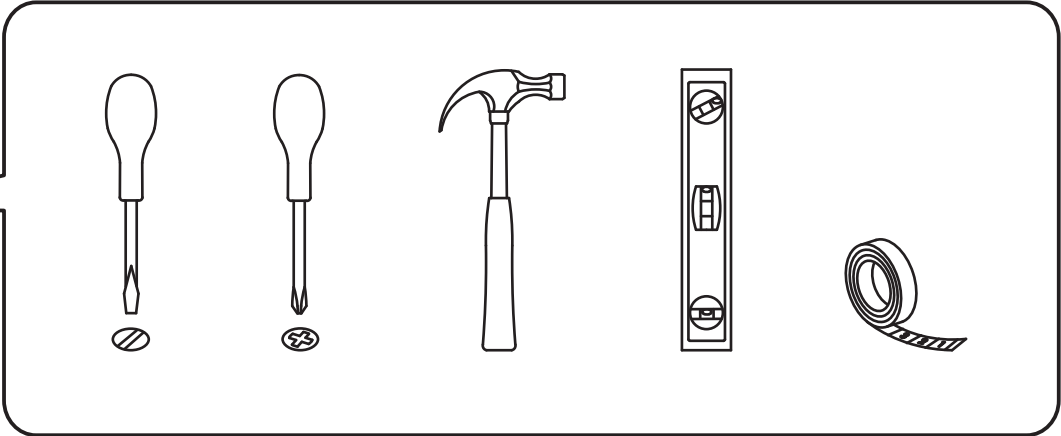
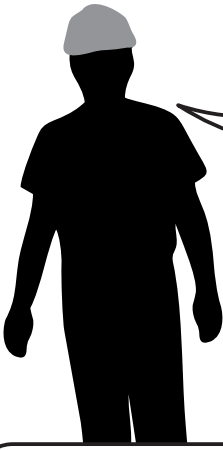
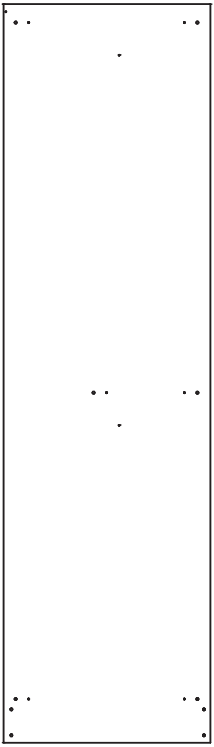


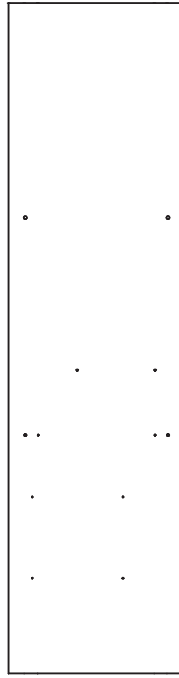
1044



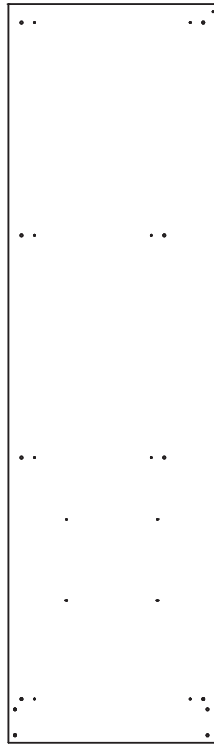




1 (15 x 510 x 1820mm)
(0,59 x 20,08 x 71,65in)



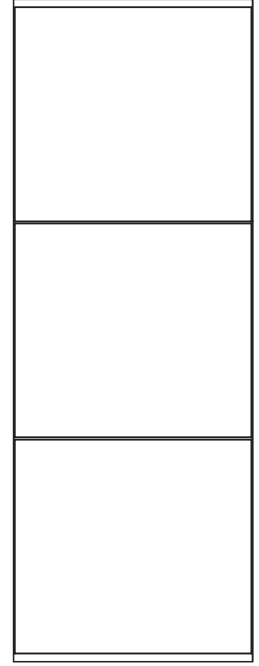
2 (15 x 425 x 1652mm)
(0,59 x 16,73 x 65,04in)



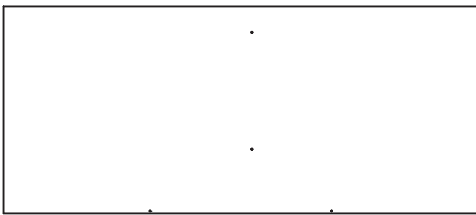
3 (15 x 510 x 1820mm)
(0,59 x 20,08 x 71,65in)



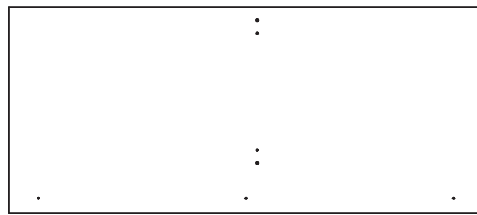
4 (15 x 590 x 1635mm)
(0,59 x 23,23 x 64,37in)



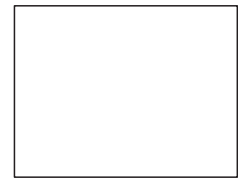
5 (15 x 590 x 1635mm)
(0,59 x 23,23 x 64,37in)



6 (15 x 508 x 1170mm)
(0,59 x 20,00 x 46,06in)



7 (15 x 508 x 1170mm)
(0,59 x 20,00 x 46,06in)



8 (15 x 423 x 550mm)-2x
(0,59 x 16,65 x 21,65in)



9 (3 x 509 x 399mm)-2x
(0,12 x 20,04 x 15,71in)



10 (15 x 300 x 605mm)
(0,59 x 11,81 x 23,82in)



11 (15 x 100 x 1170mm)
(0,59 x 3,94 x 46,06in)



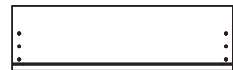
12 (15 x 100 x 1170mm)
(0,59 x 3,94 x 46,06in)



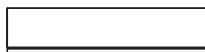
13 (15 x 110 x 400mm)-2x
(0,59 x 4,33 x 15,75in)



14 (15 x 110 x 400mm)-2x
(0,59 x 4,33 x 15,75in)



15 (15 x 160 x 544mm)-2x
(0,59 x 6,30 x 21,42in)



16 (15 x 110 x 495mm)-2x
(0,59 x 4,33 x 19,49in)



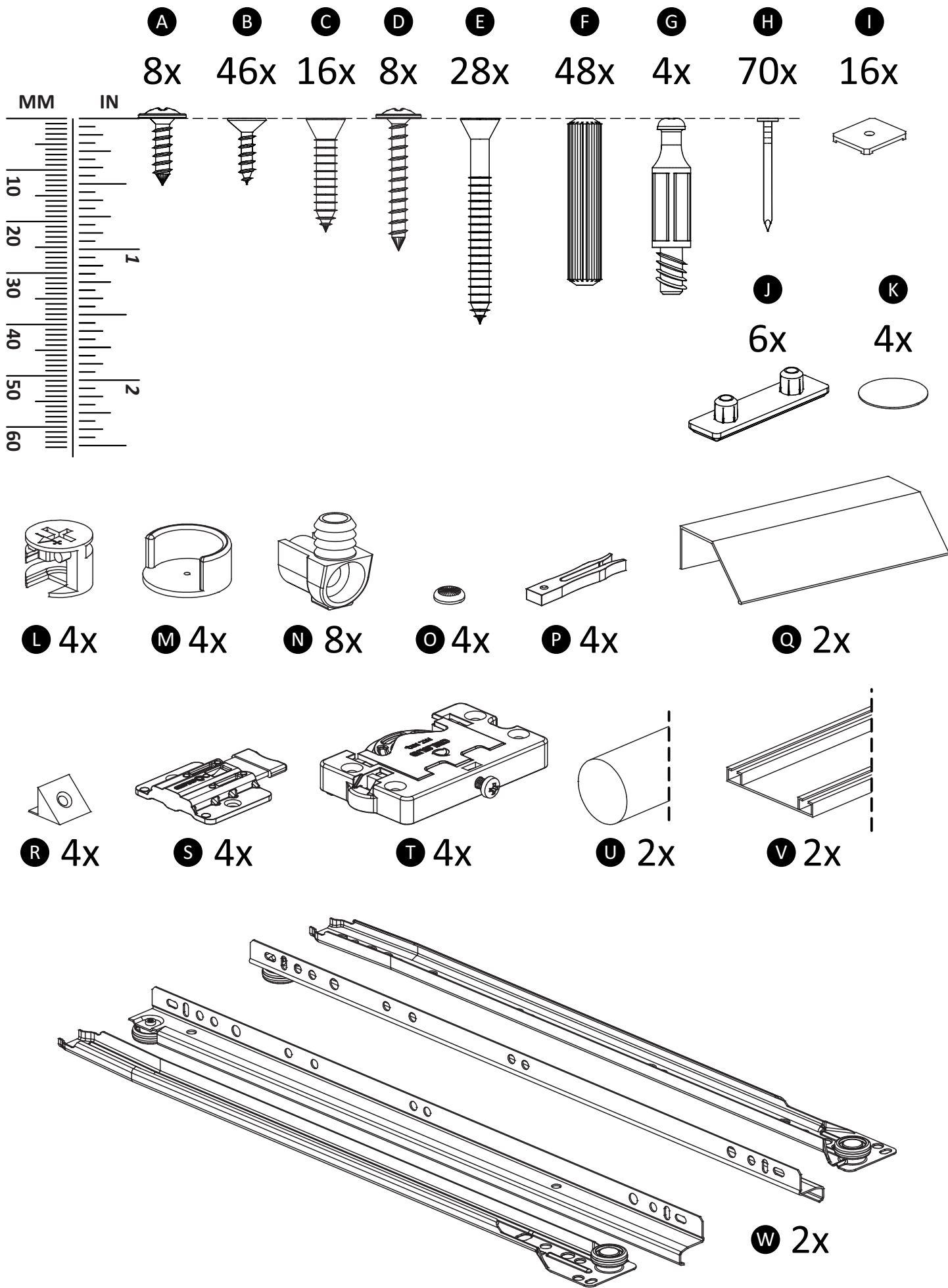
17 (15 x 60 x 1200mm)
(0,59 x 2,36 x 47,24in)



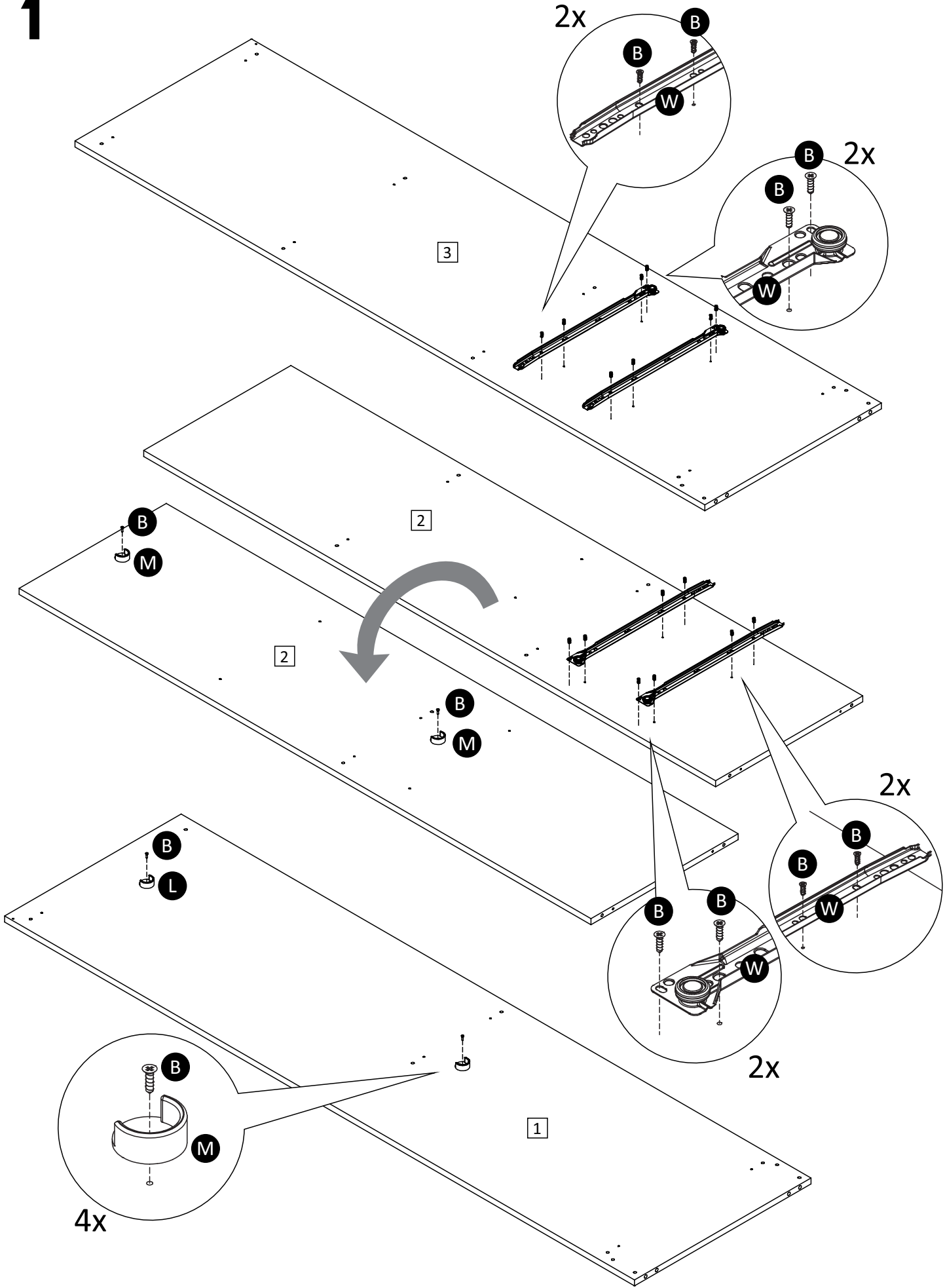
18 (3 x 1672 x 620mm)
(0,12 x 65,83 x 24,41in)



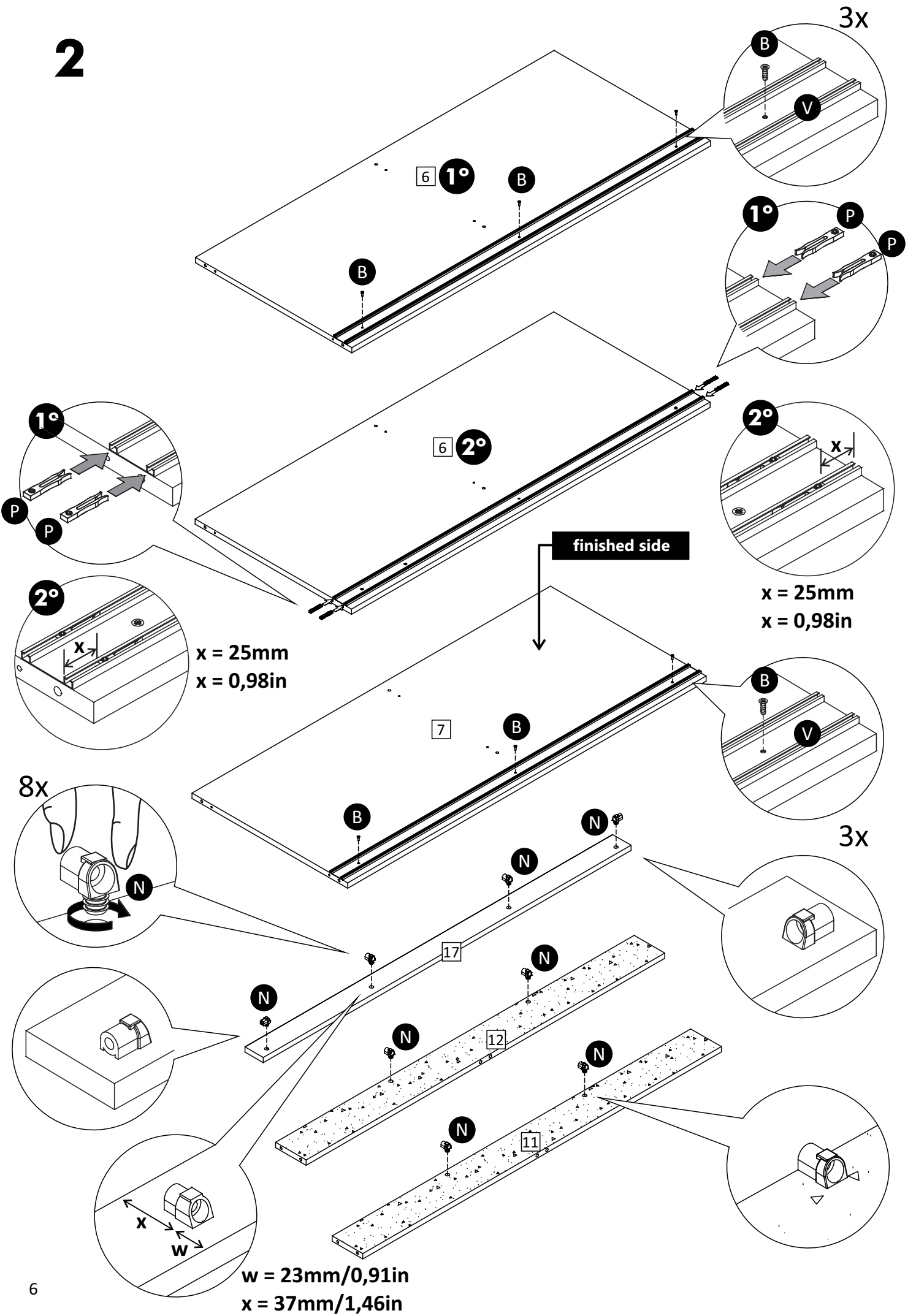
19 (3 x 1672 x 565mm)
(0,12 x 65,83 x 22,24in)



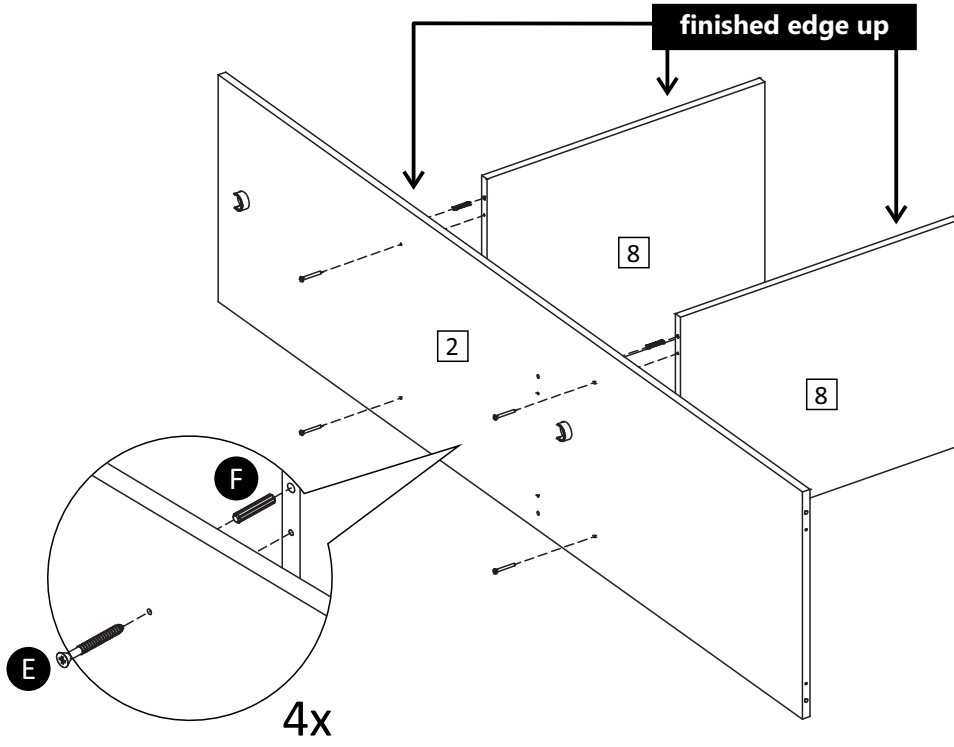
1



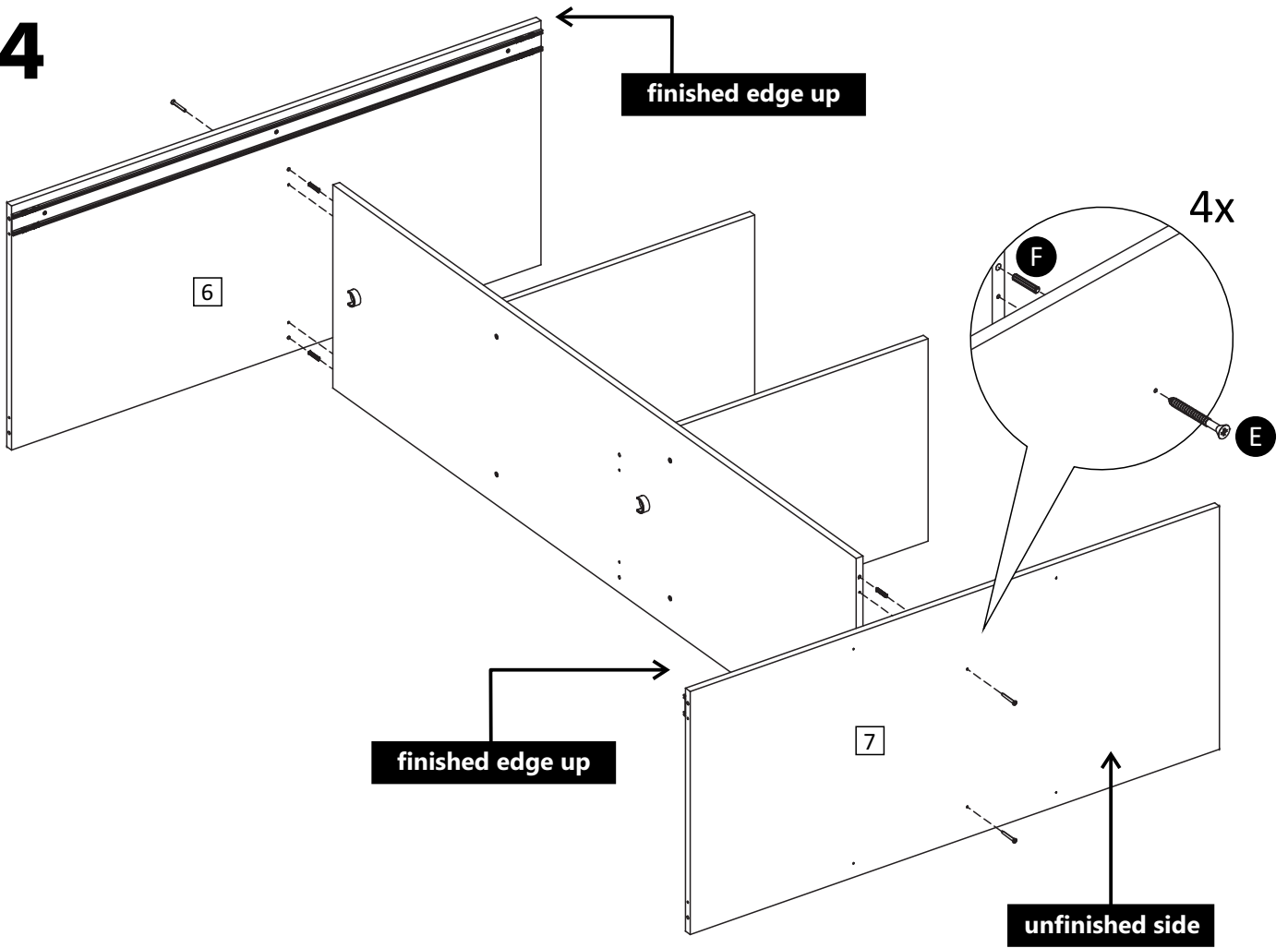
2



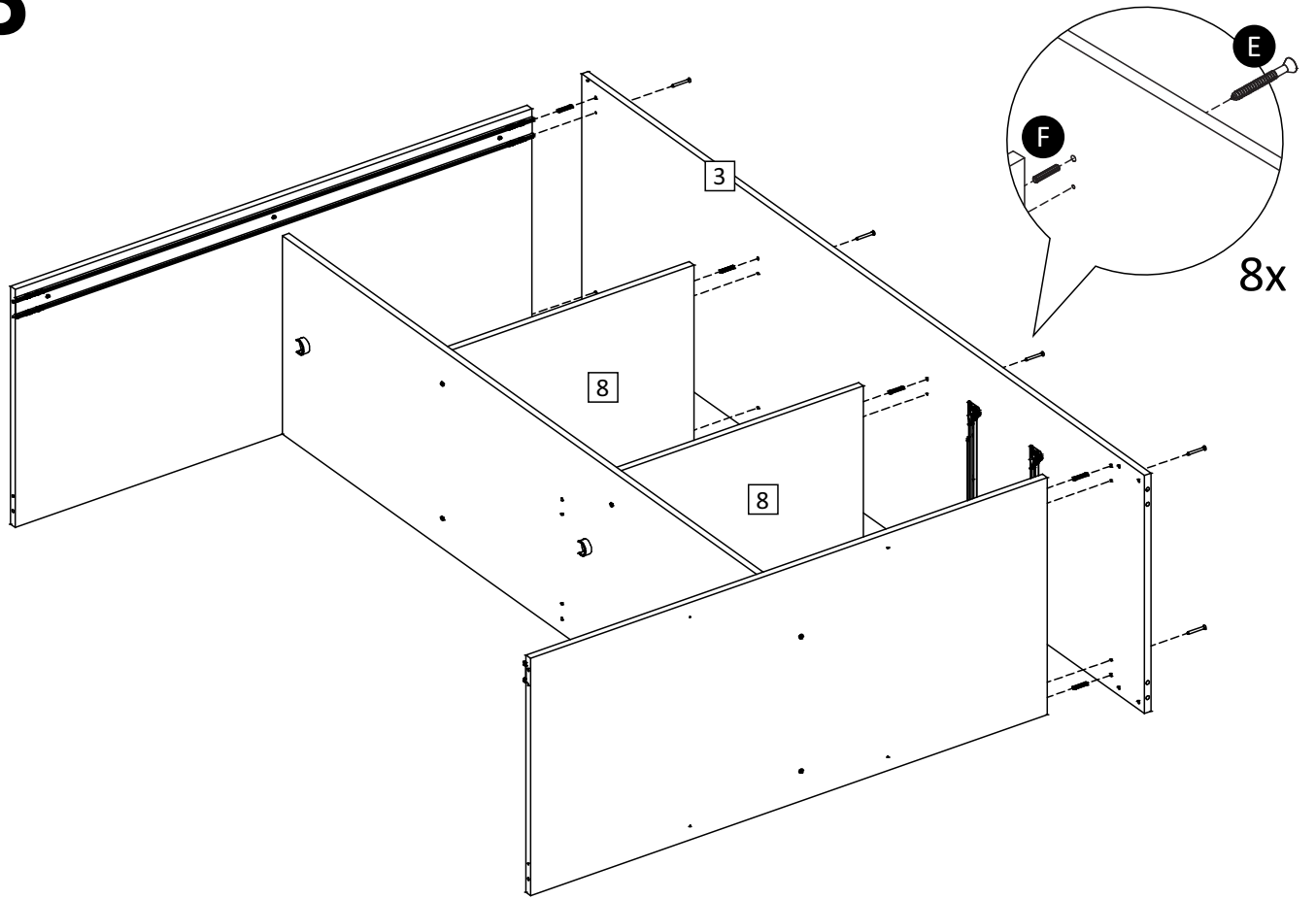
3



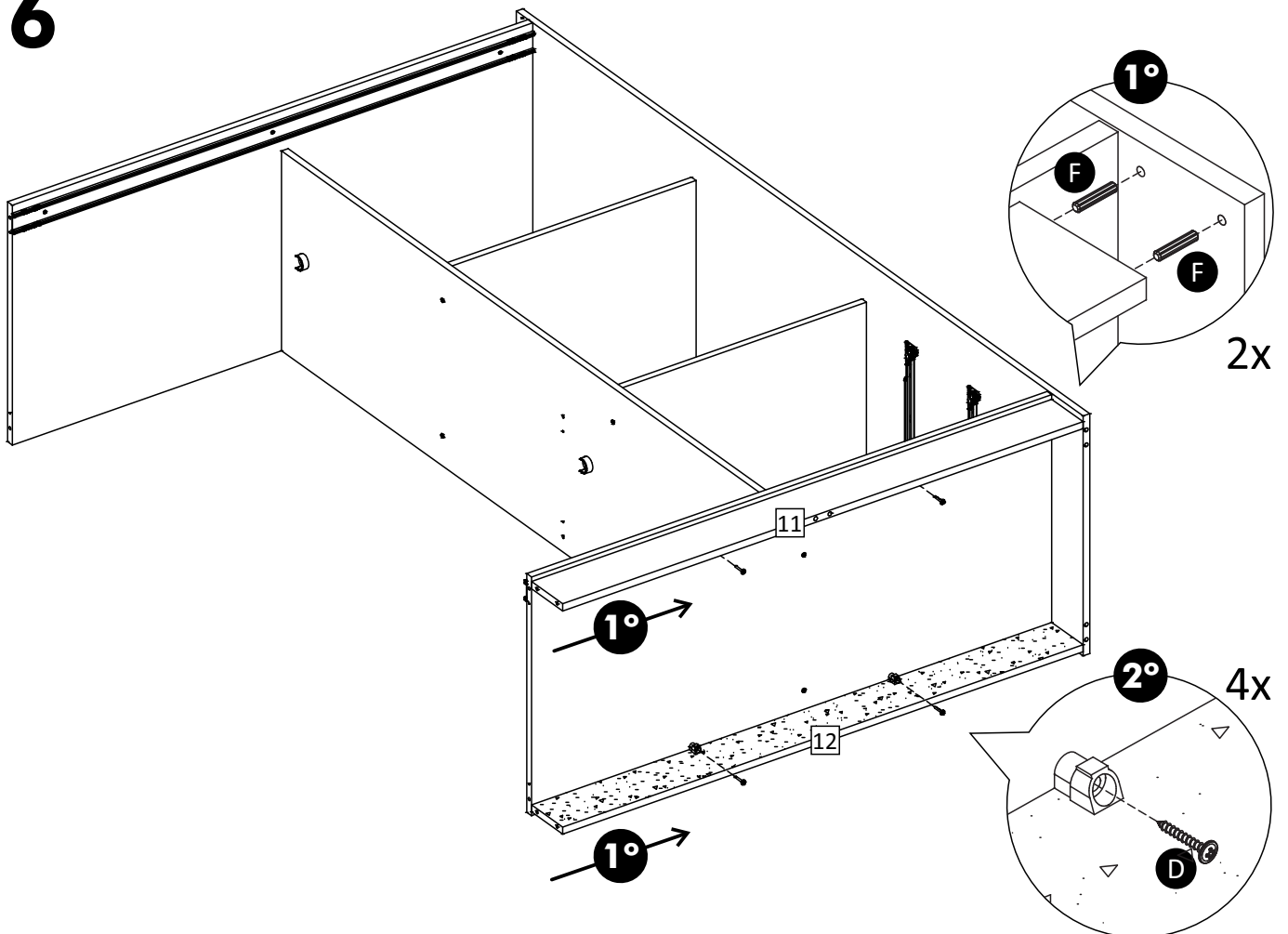
4



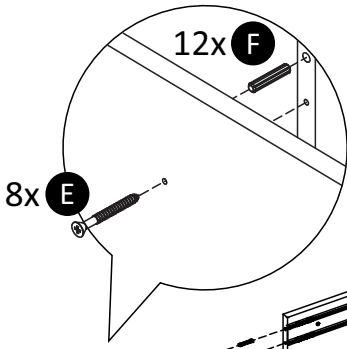
5



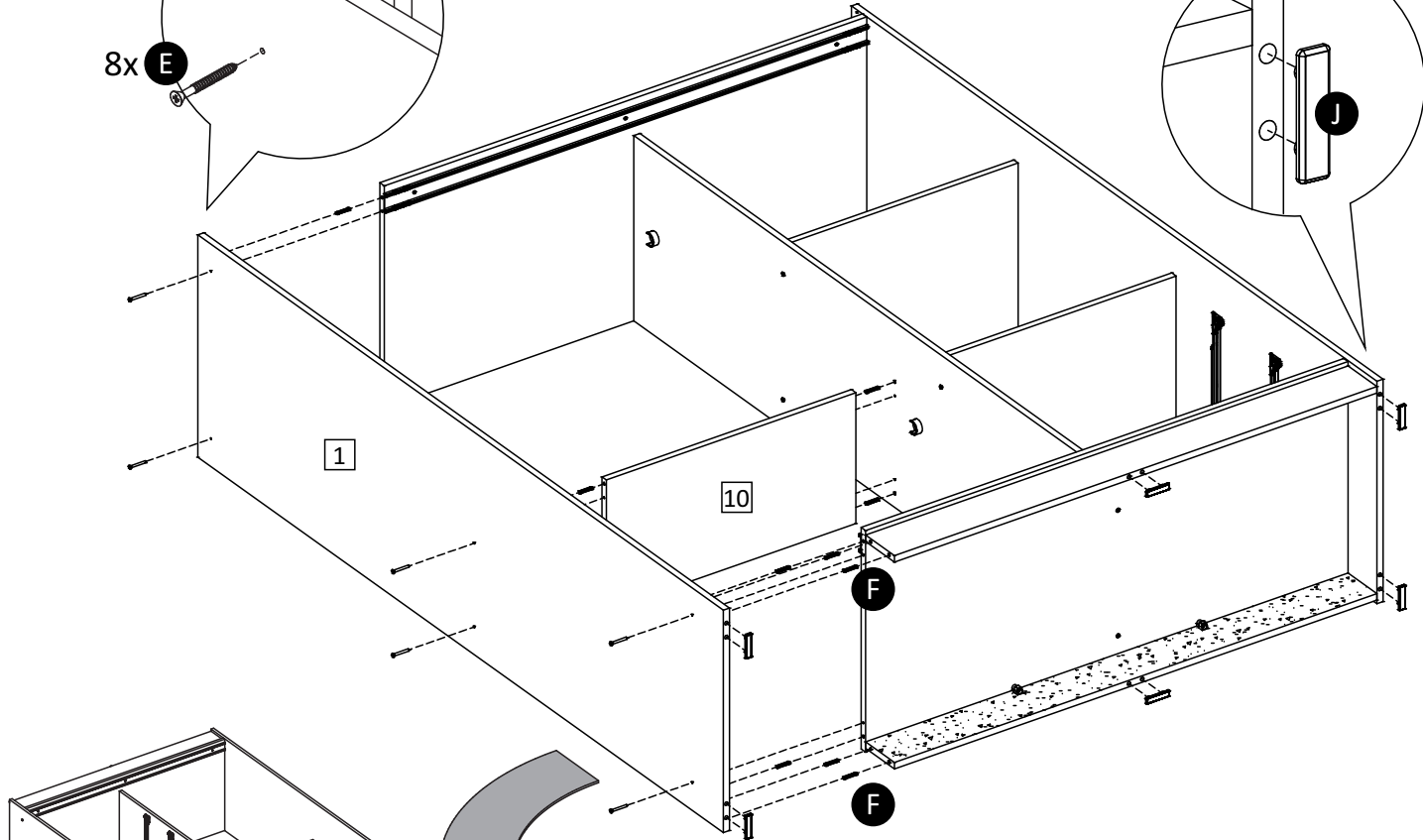
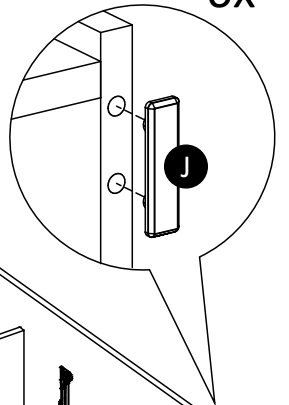
6



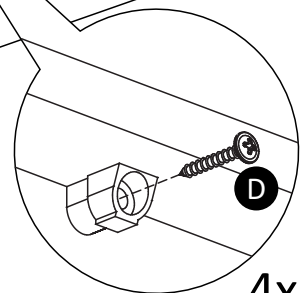
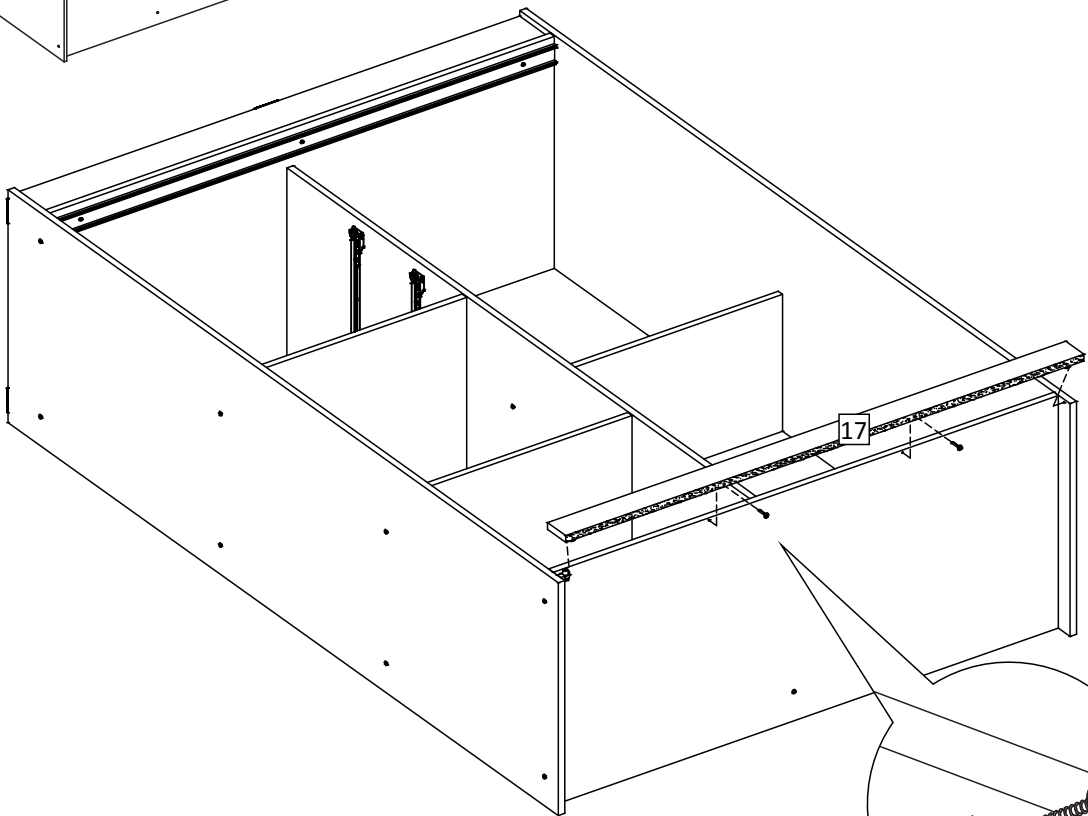
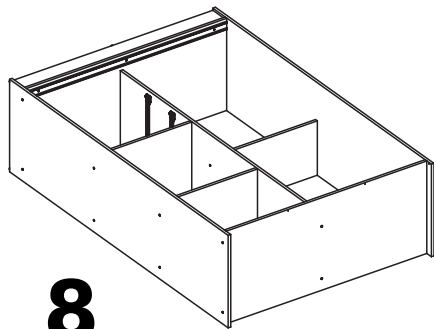
7



6x

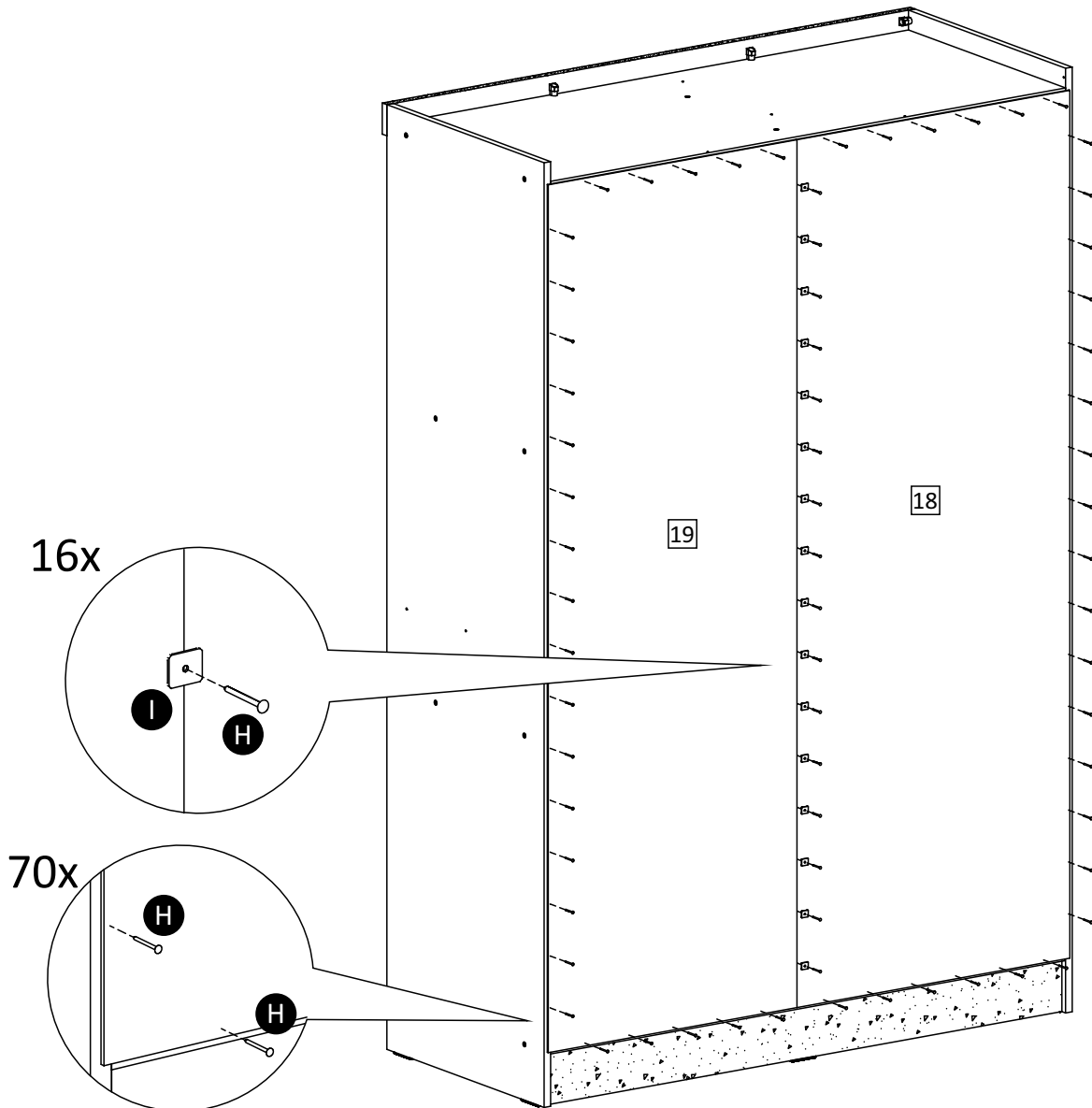
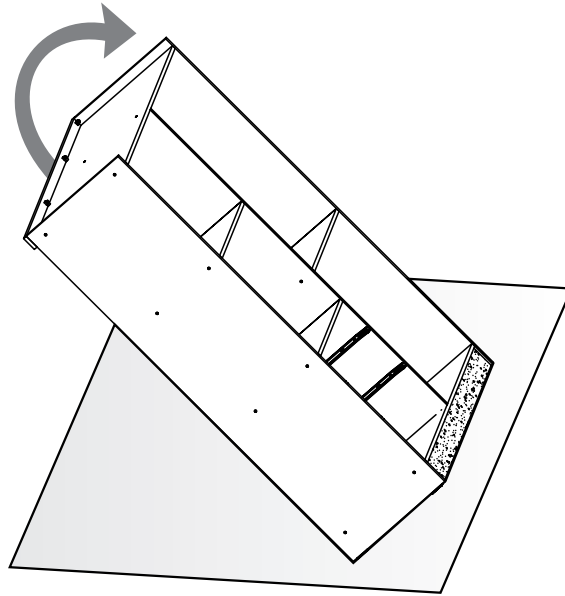


8

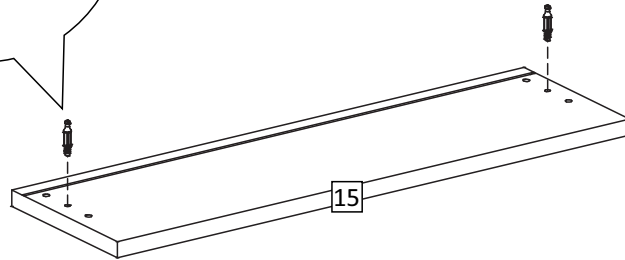
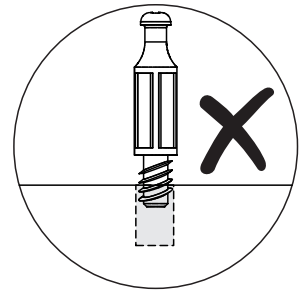
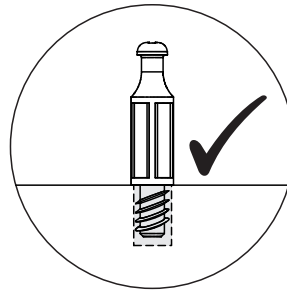
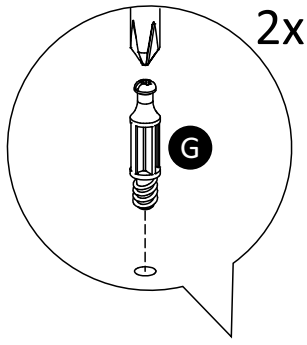
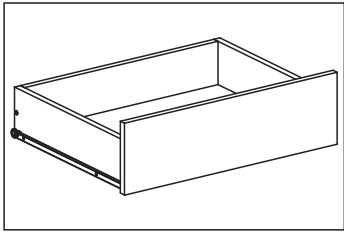


4x

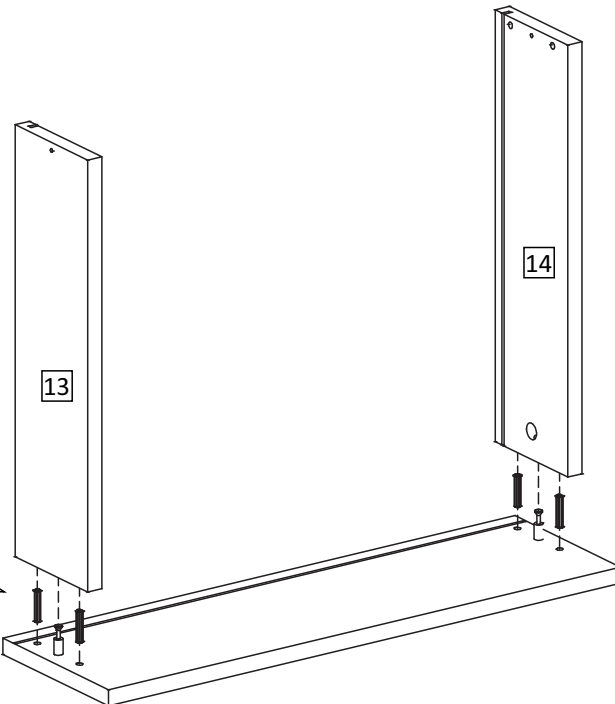
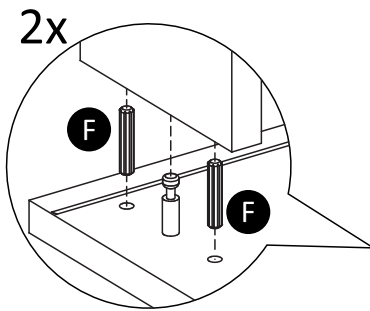
9



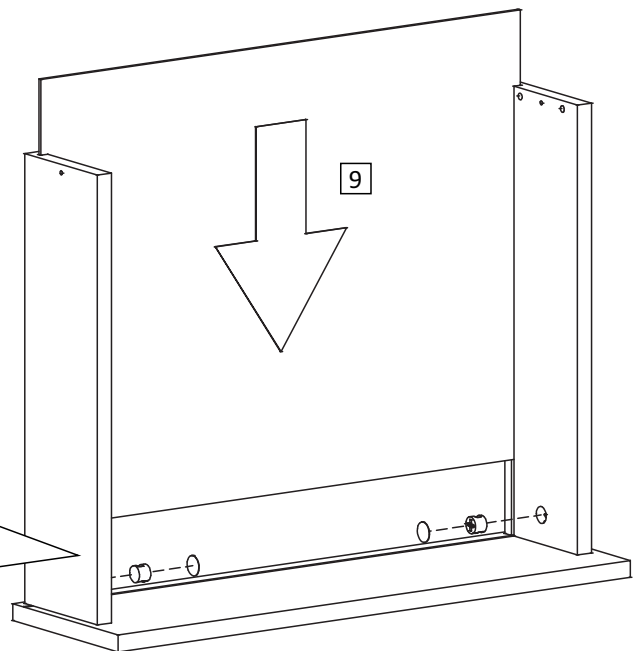
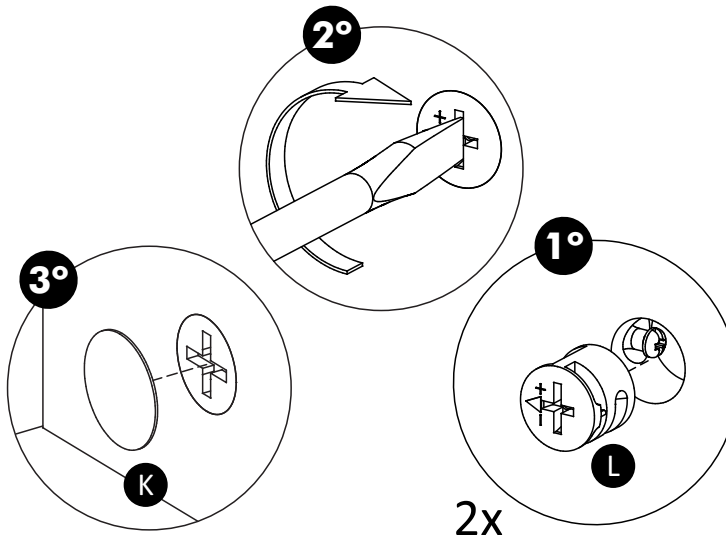
10-2x



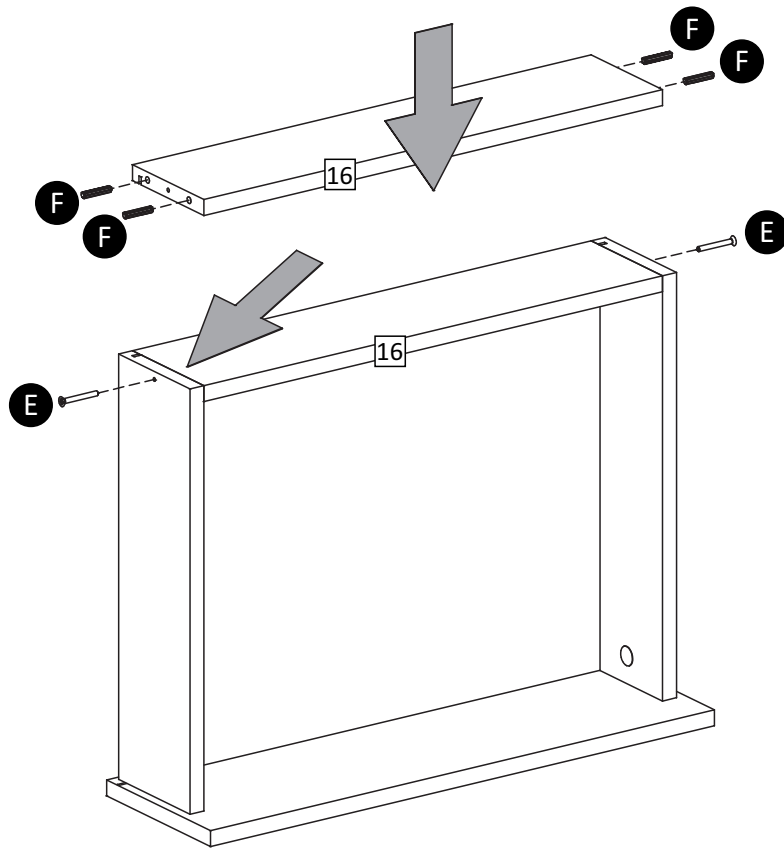
11-2x



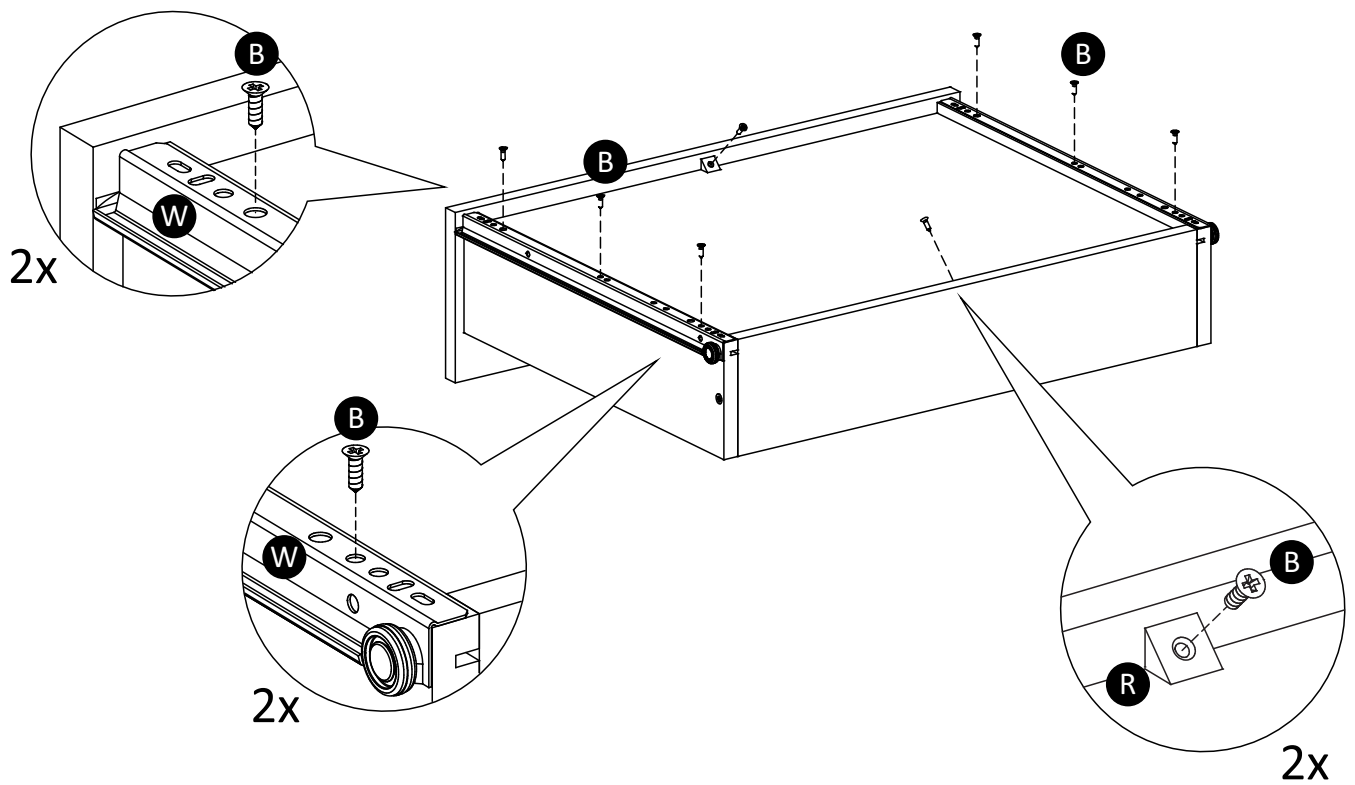
12-2x



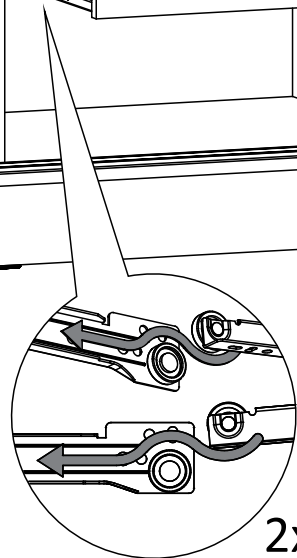
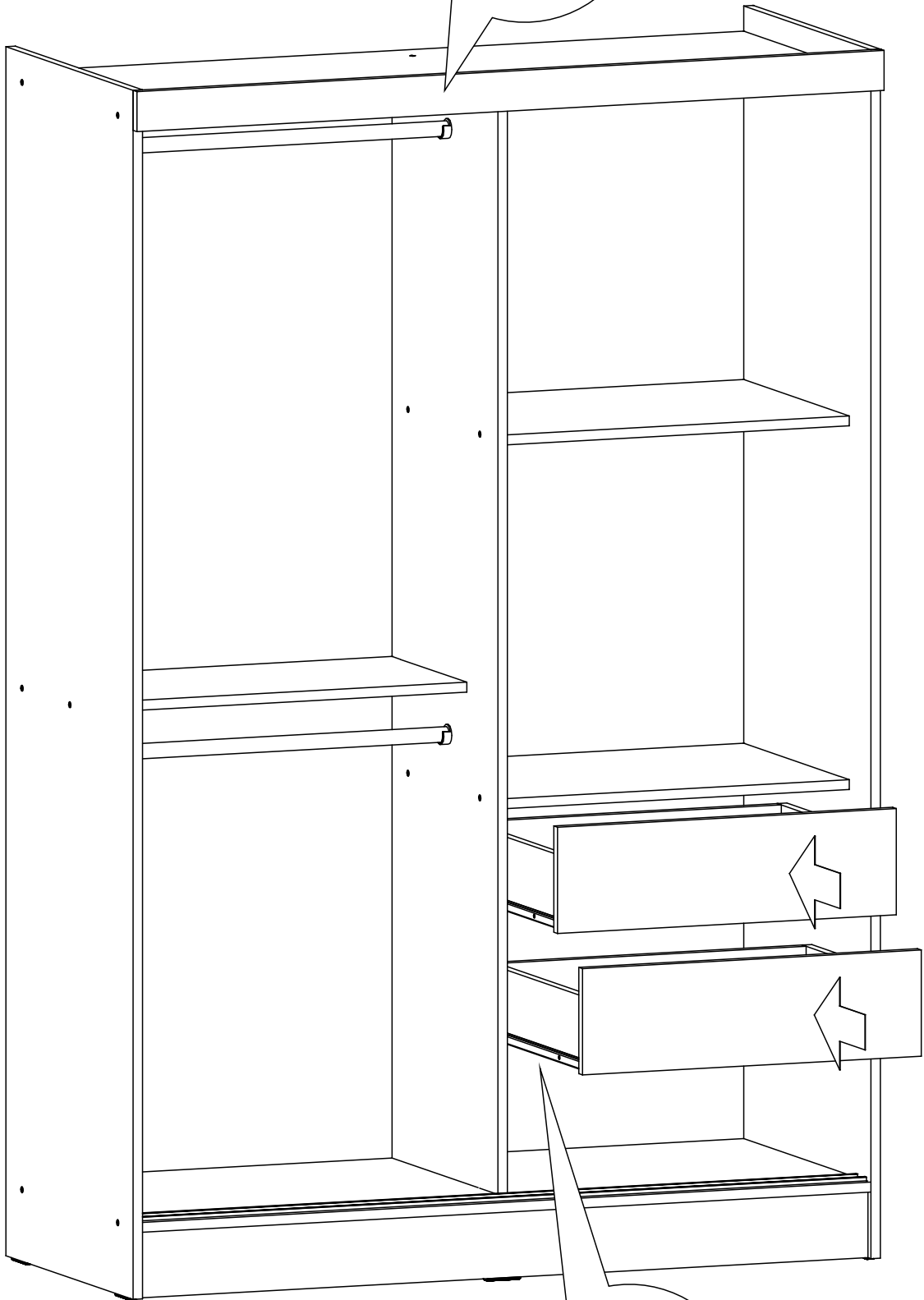
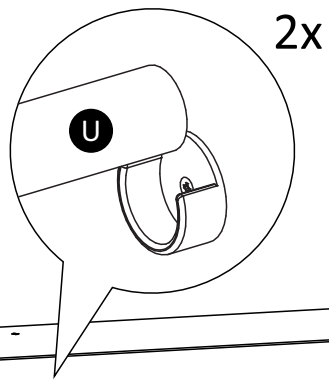
13-2x



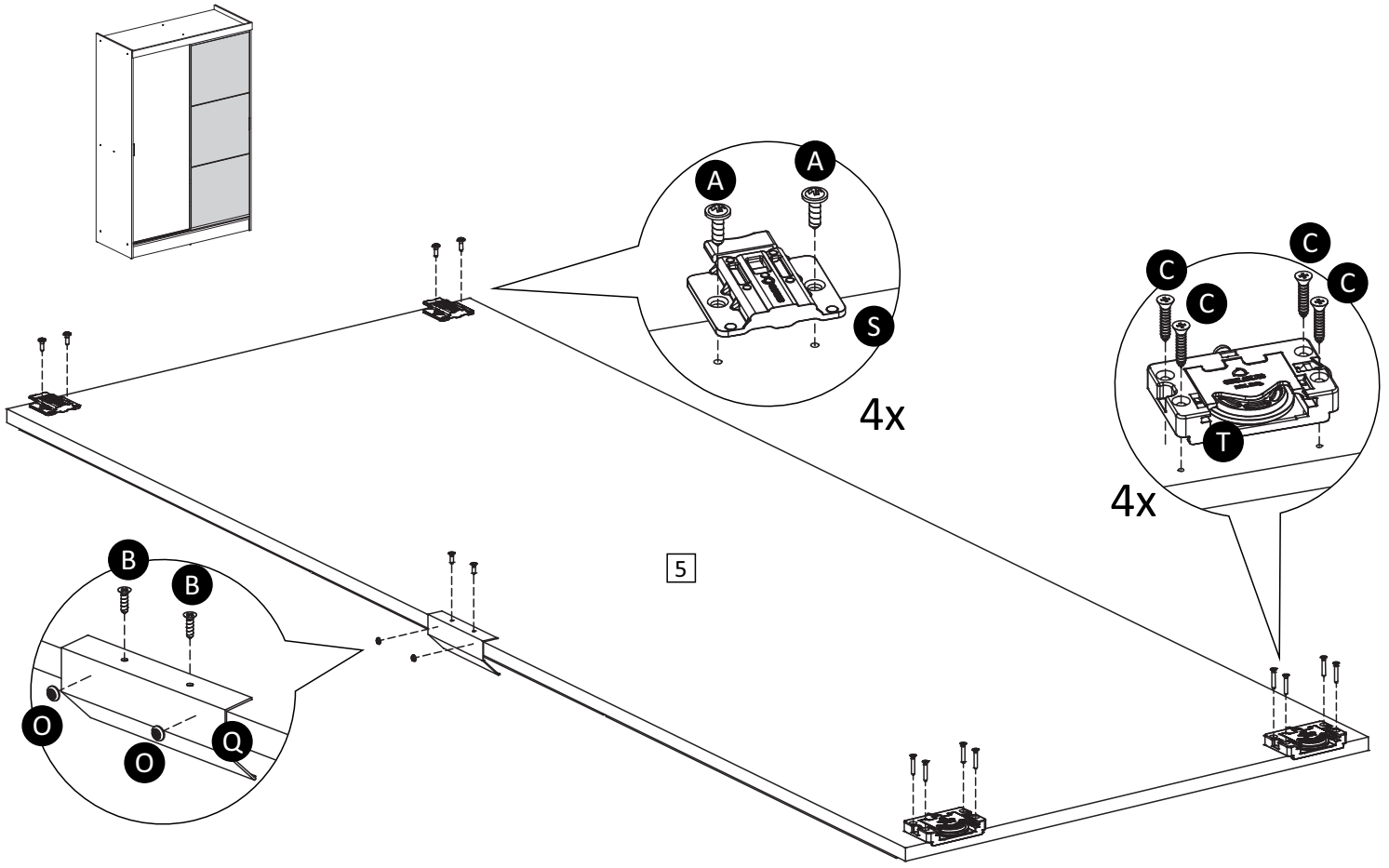
14-2x



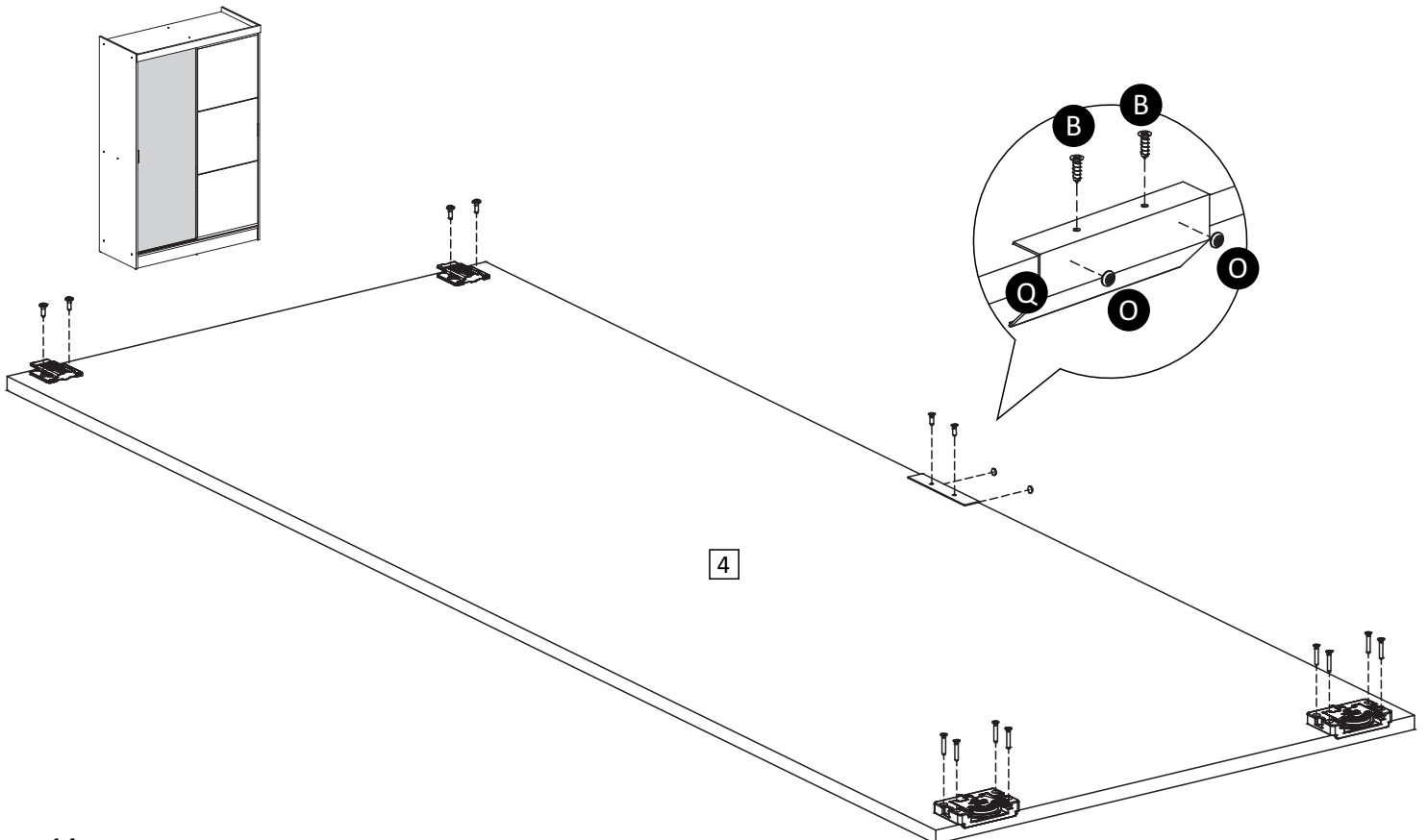
15



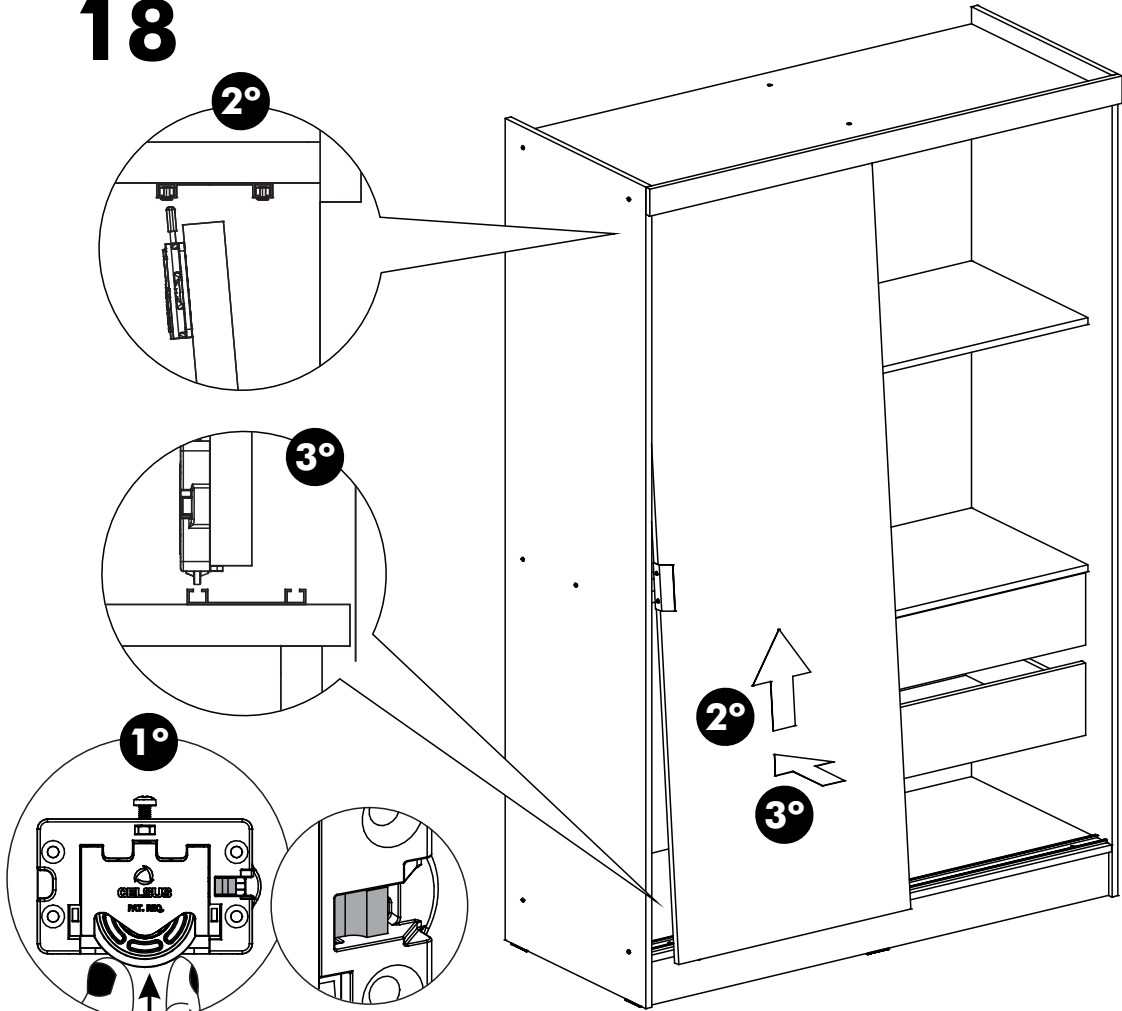
16



17

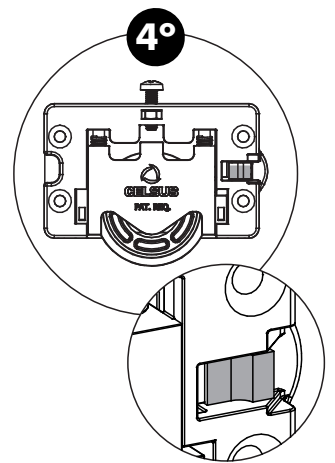


18

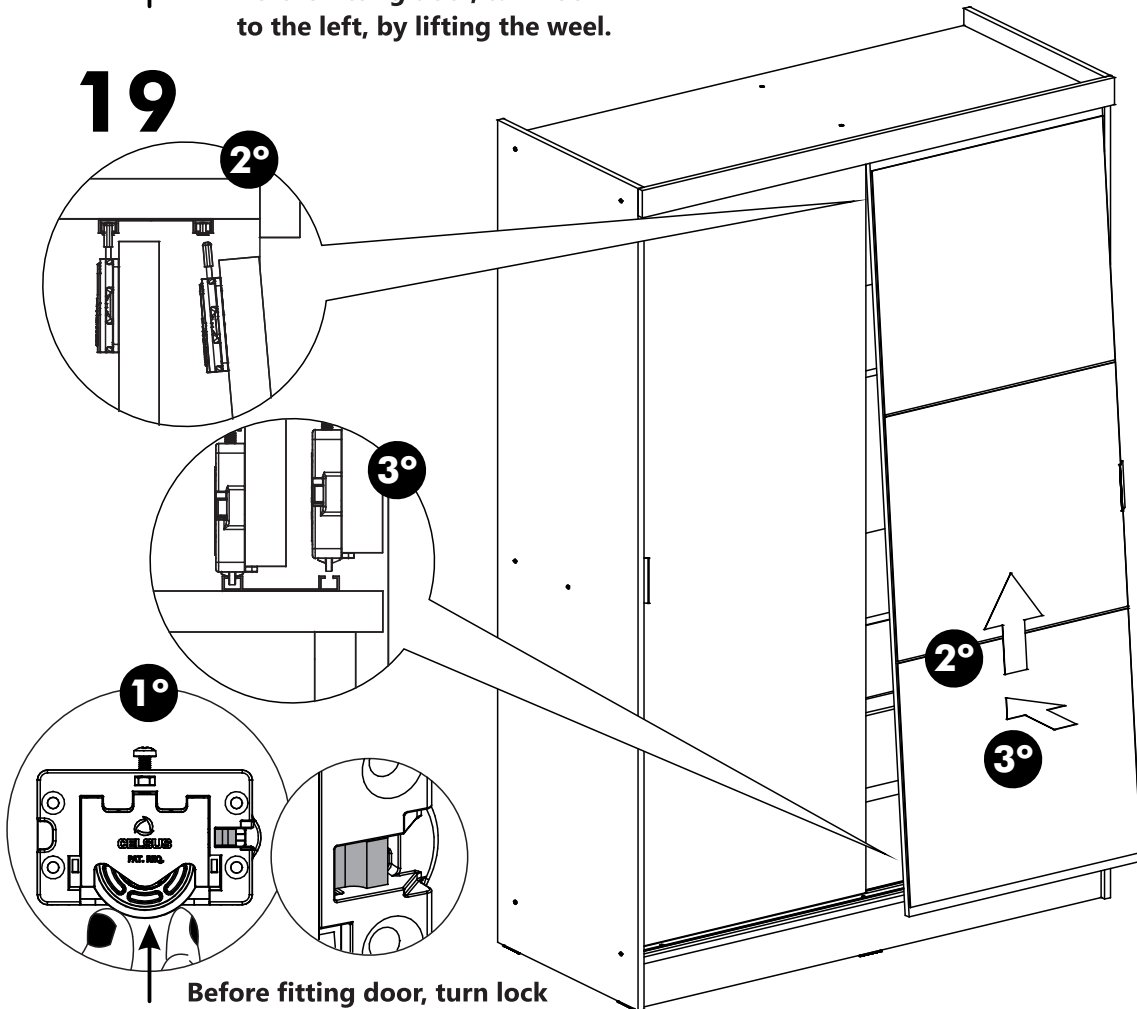


Before fitting door, turn lock to the left, by lifting the wheel.

After fitting door, turn lock to the right.

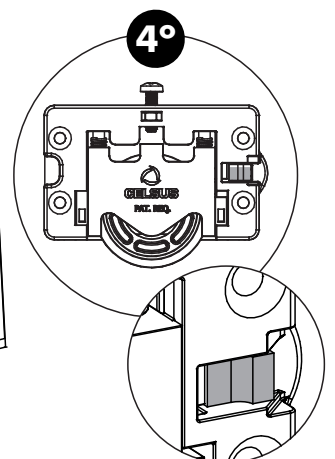


19

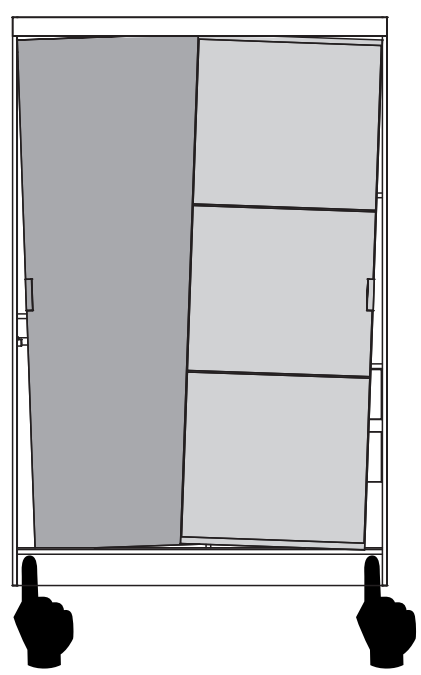
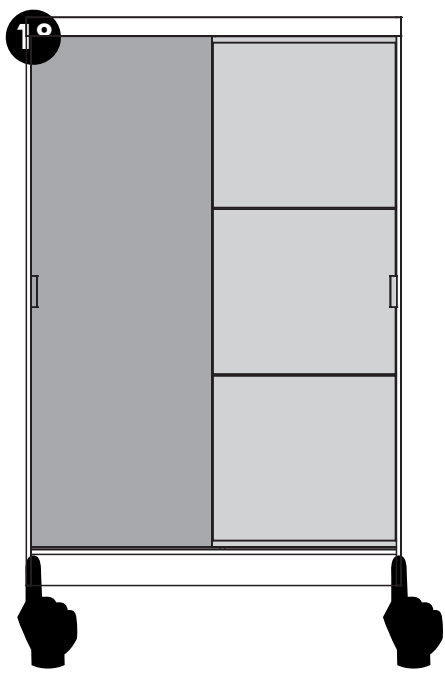


Before fitting door, turn lock to the left, by lifting the wheel.

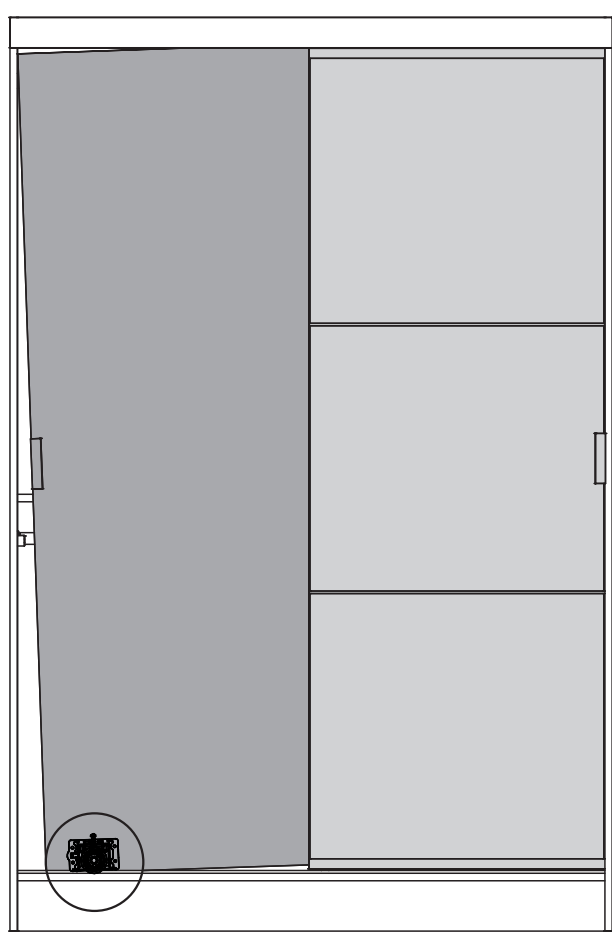
After fitting door, turn lock to the right.



20



2°



3°

