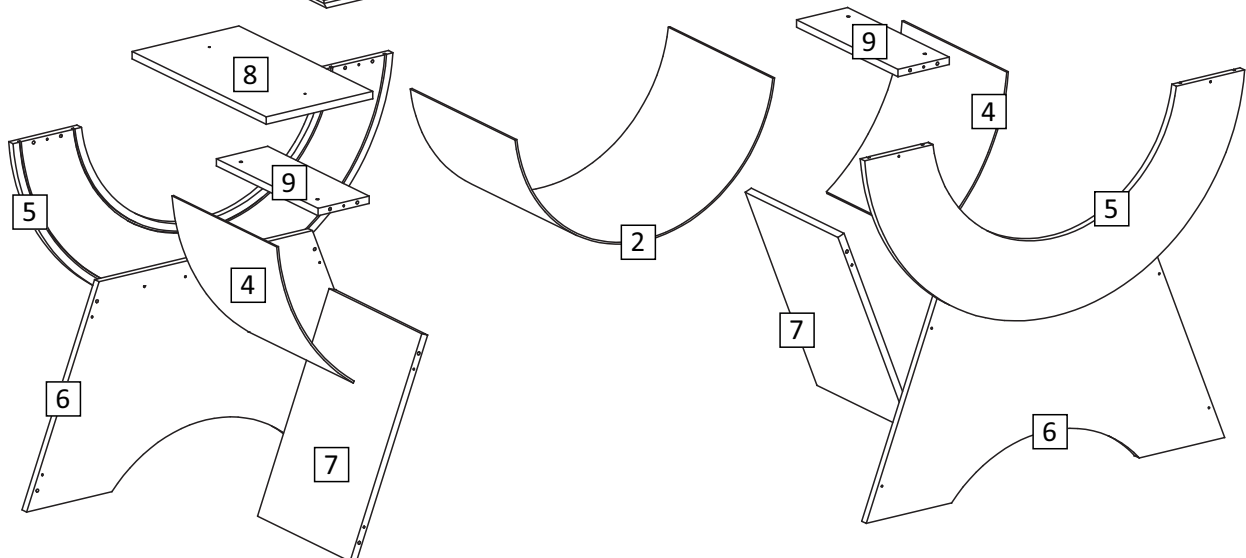
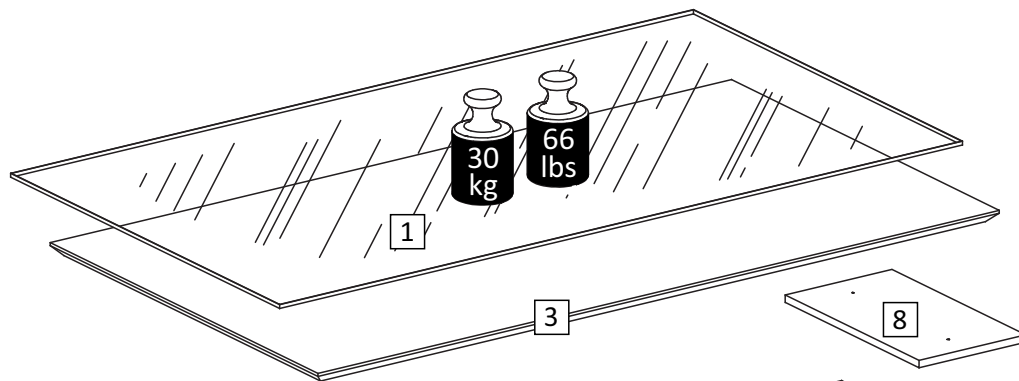
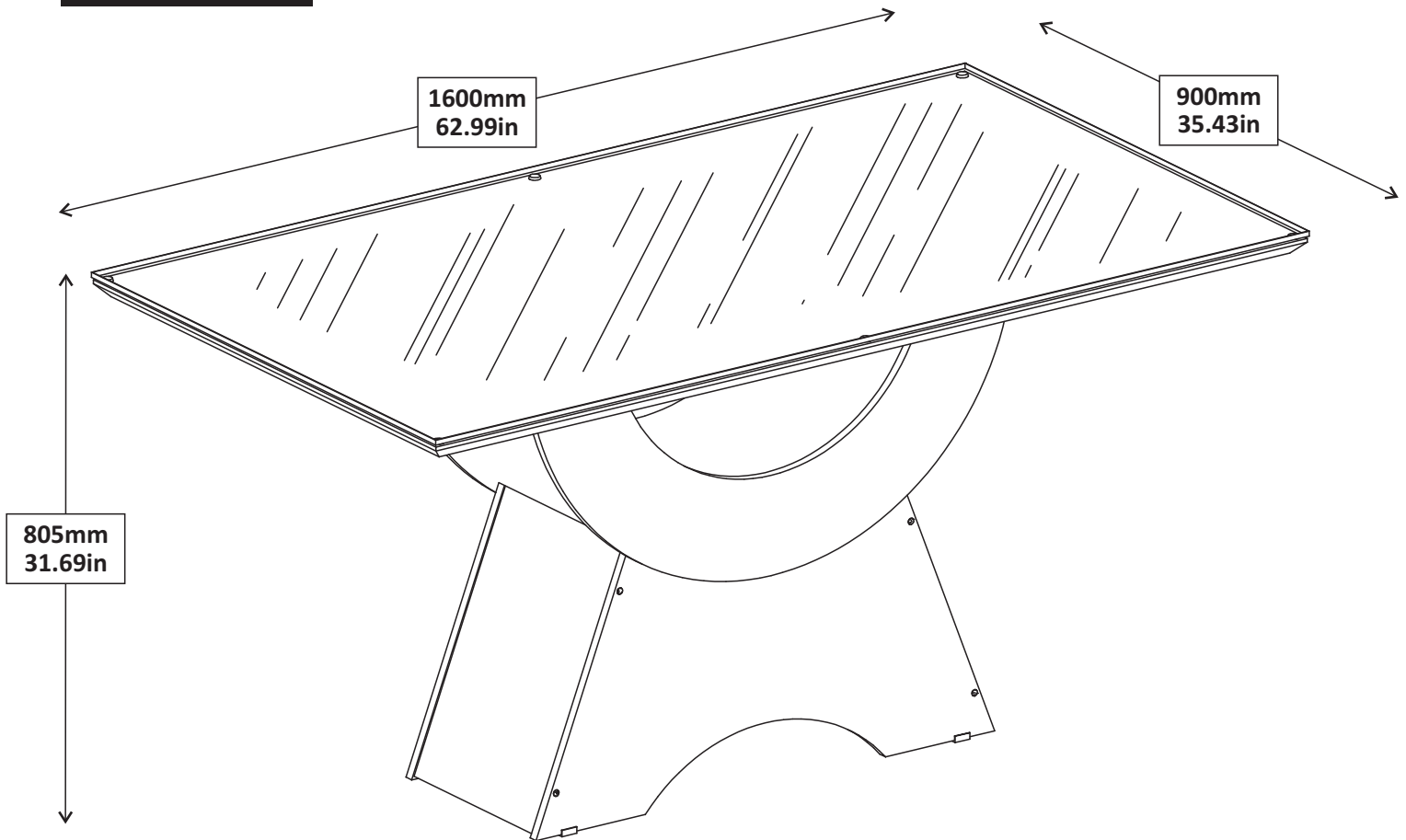
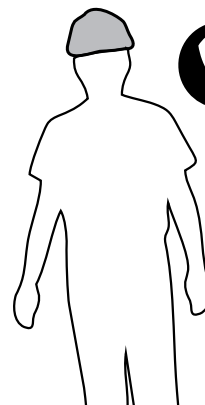
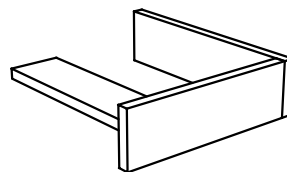
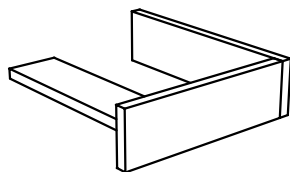
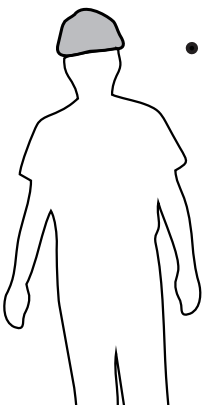
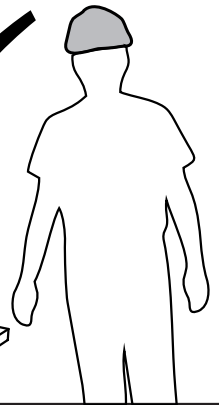
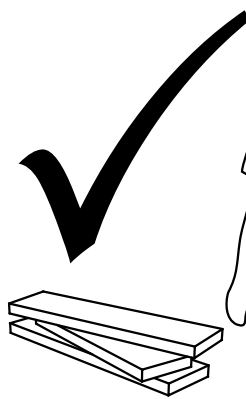
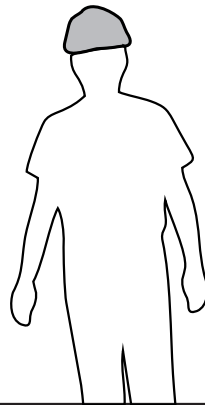
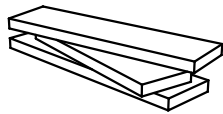
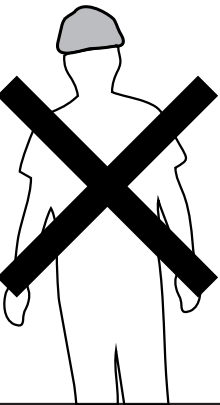
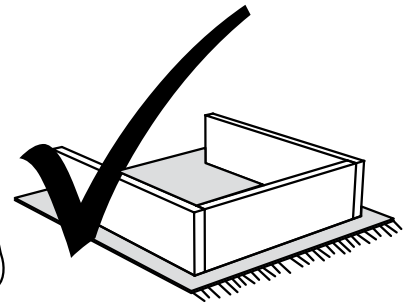
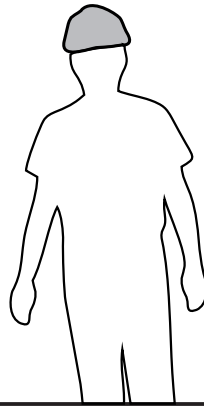
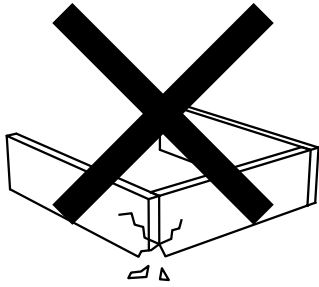
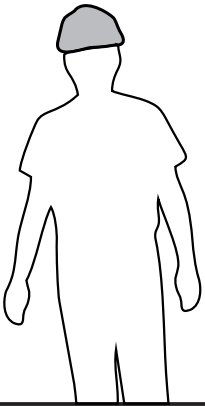
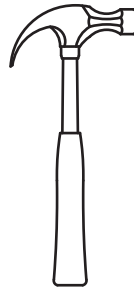
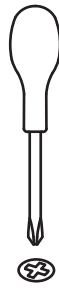
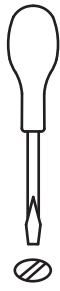
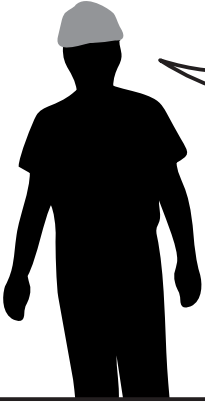


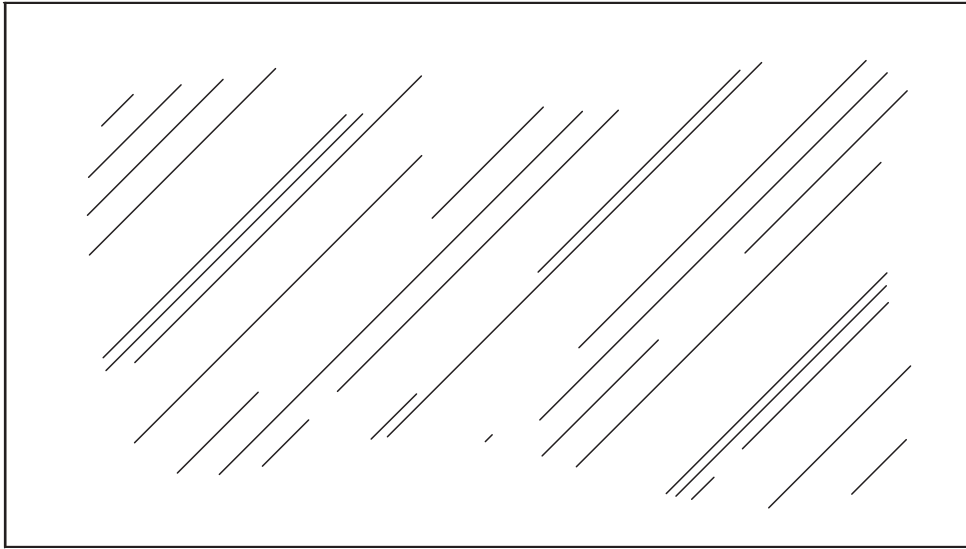
MADESA

5361

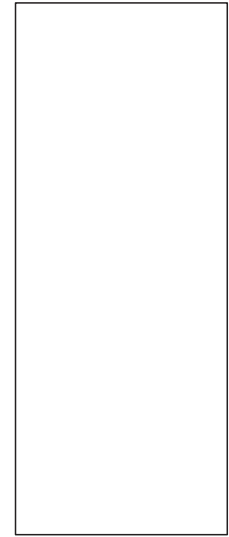


MADESA

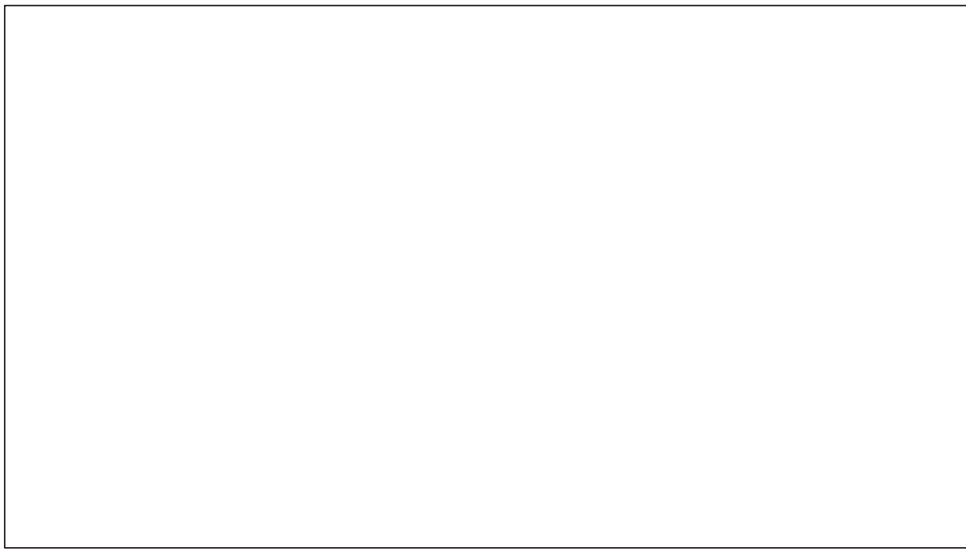




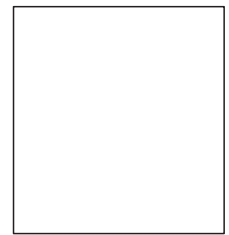
1 (8 x 900 x 1600mm)
(0,31 x 35,43 x 62,99in)



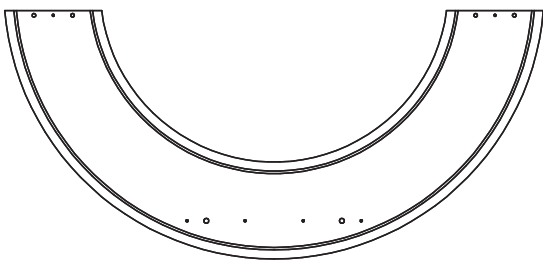
2 (3 x 350 x 879mm)
(0,12 x 13,78 x 34,61in)



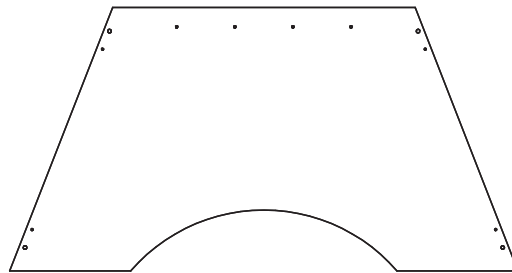
3 (25 x 896 x 1596mm)
(0,98 x 35,28 x 62,83in)



4 (3 x 350 x 375mm)-2x
(0,12 x 13,78 x 14,76in)



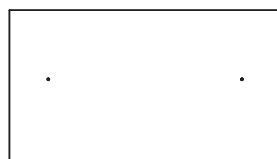
5 (15 x 411 x 888mm)-2x
(0,59 x 16,18 x 34,96in)



6 (15 x 435 x 838mm)-2x
(0,59 x 17,13 x 32,99in)



7 (15 x 310 x 462mm)-2x
(0,59 x 12,20 x 18,19in)

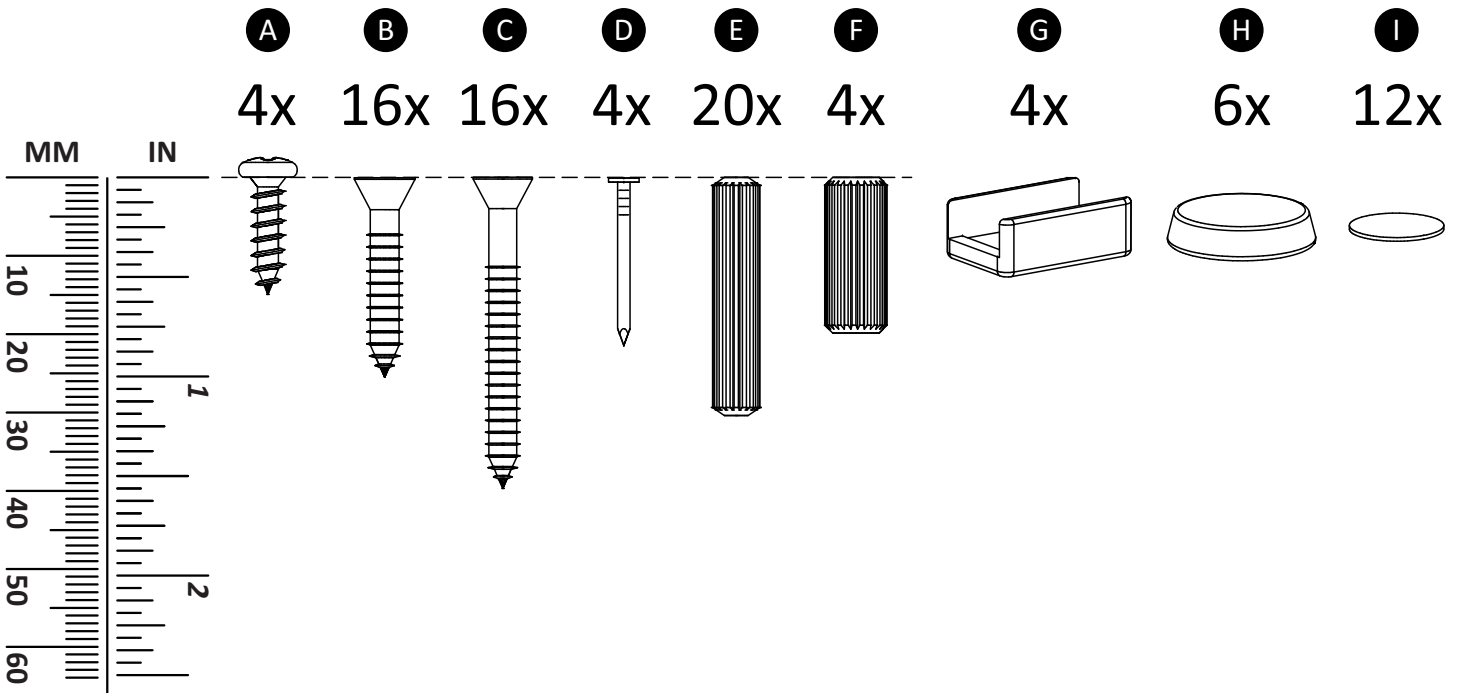


8 (15 x 250 x 448mm)-2x
(0,59 x 9,84 x 17,64in)

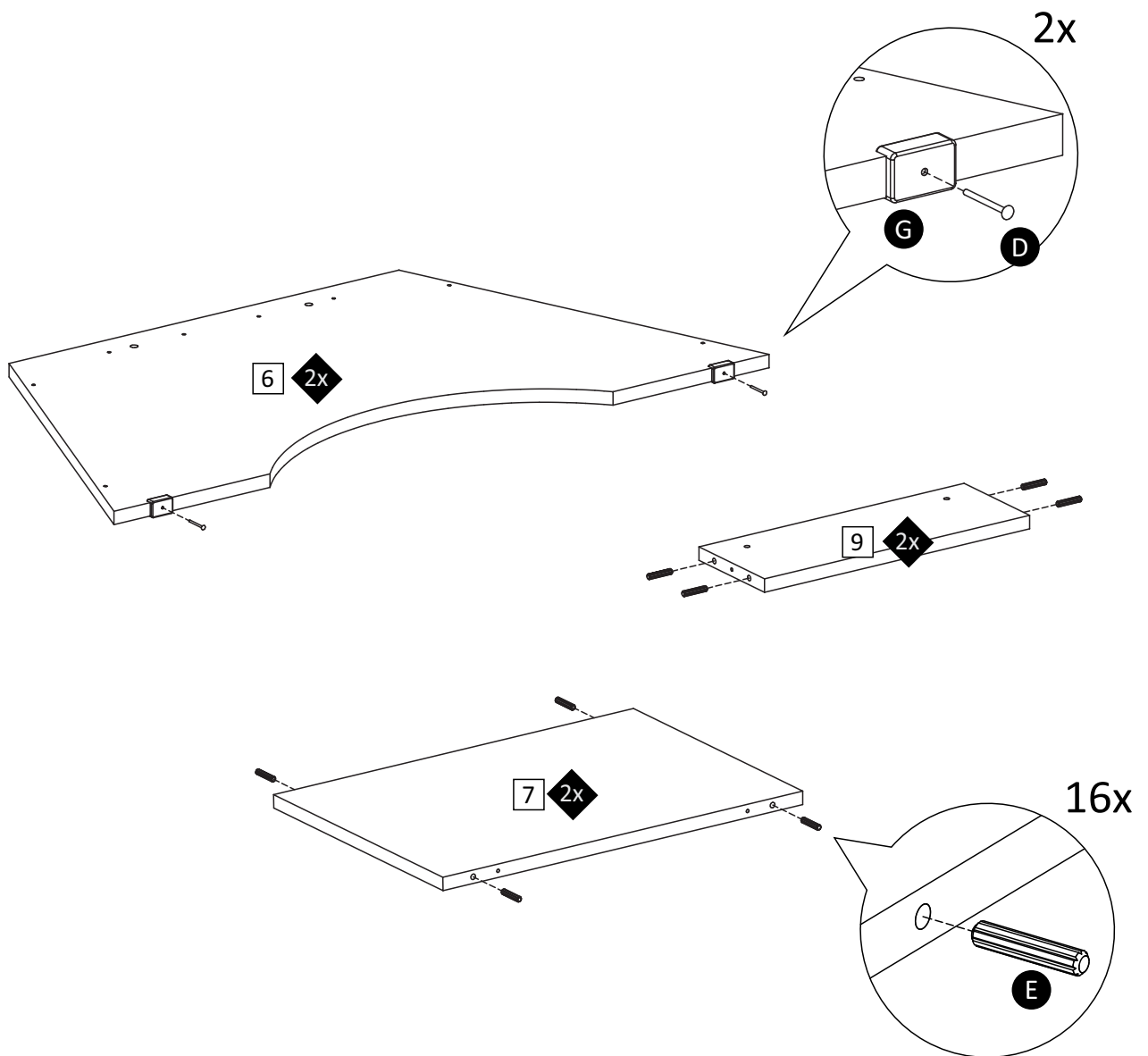


9 (15 x 120 x 340mm)-2x
(0,59 x 4,72 x 13,39in)

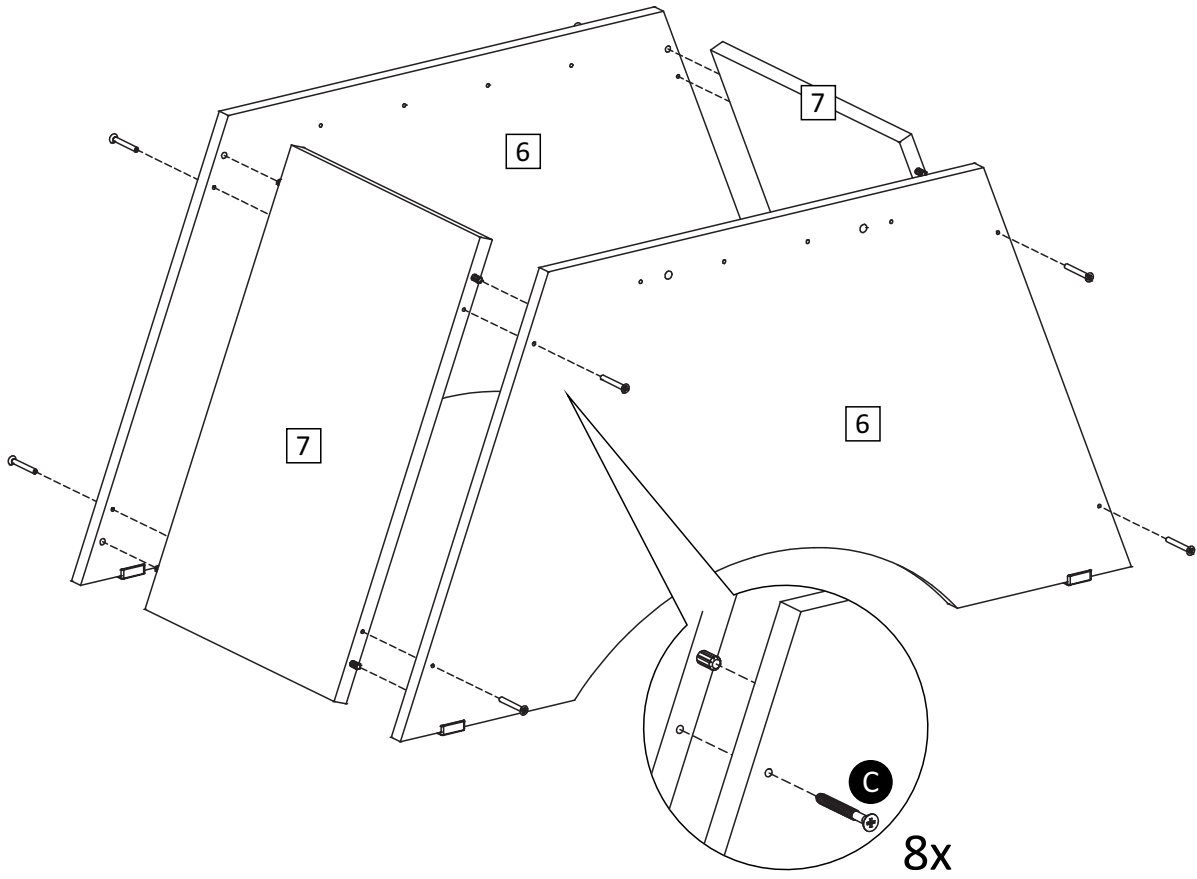
MADESA



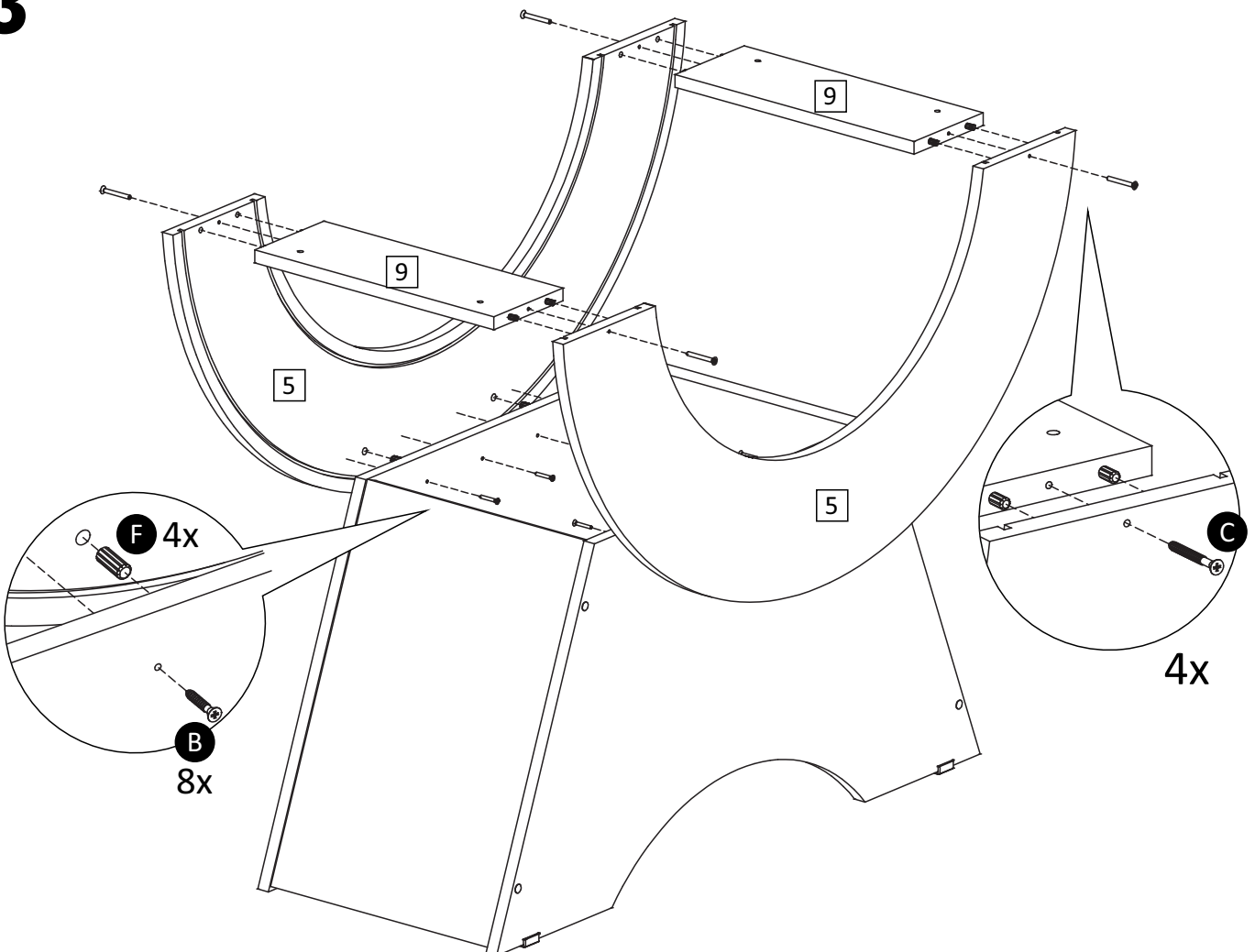
1



2

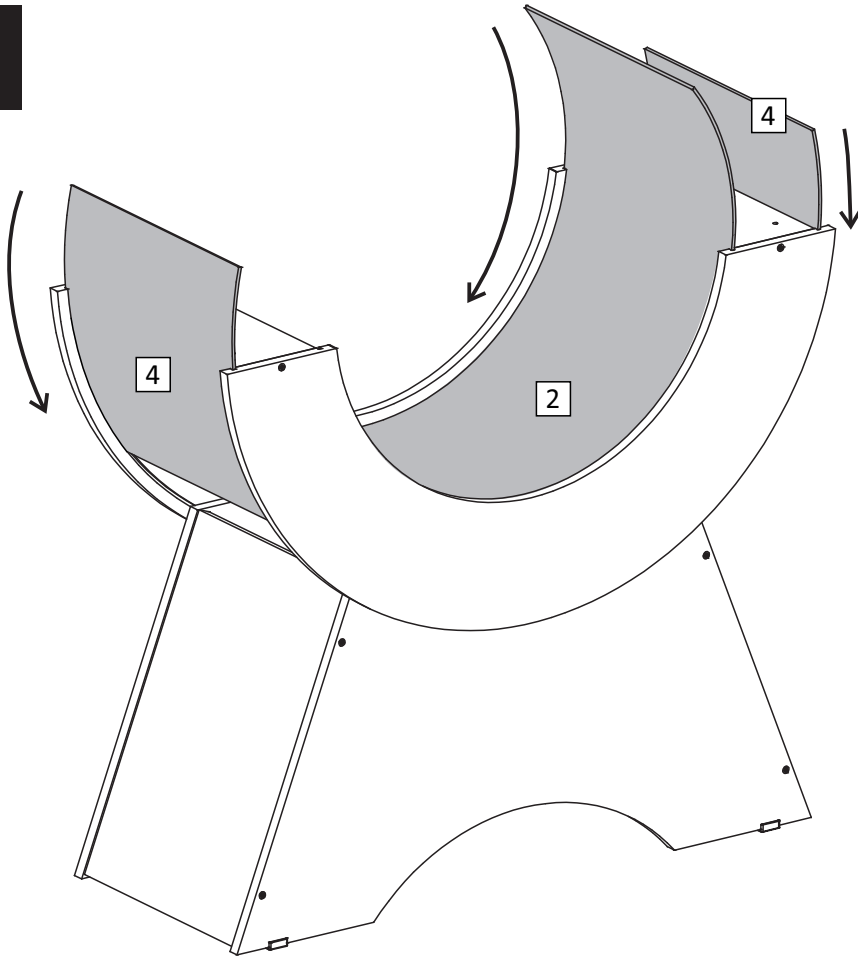


3

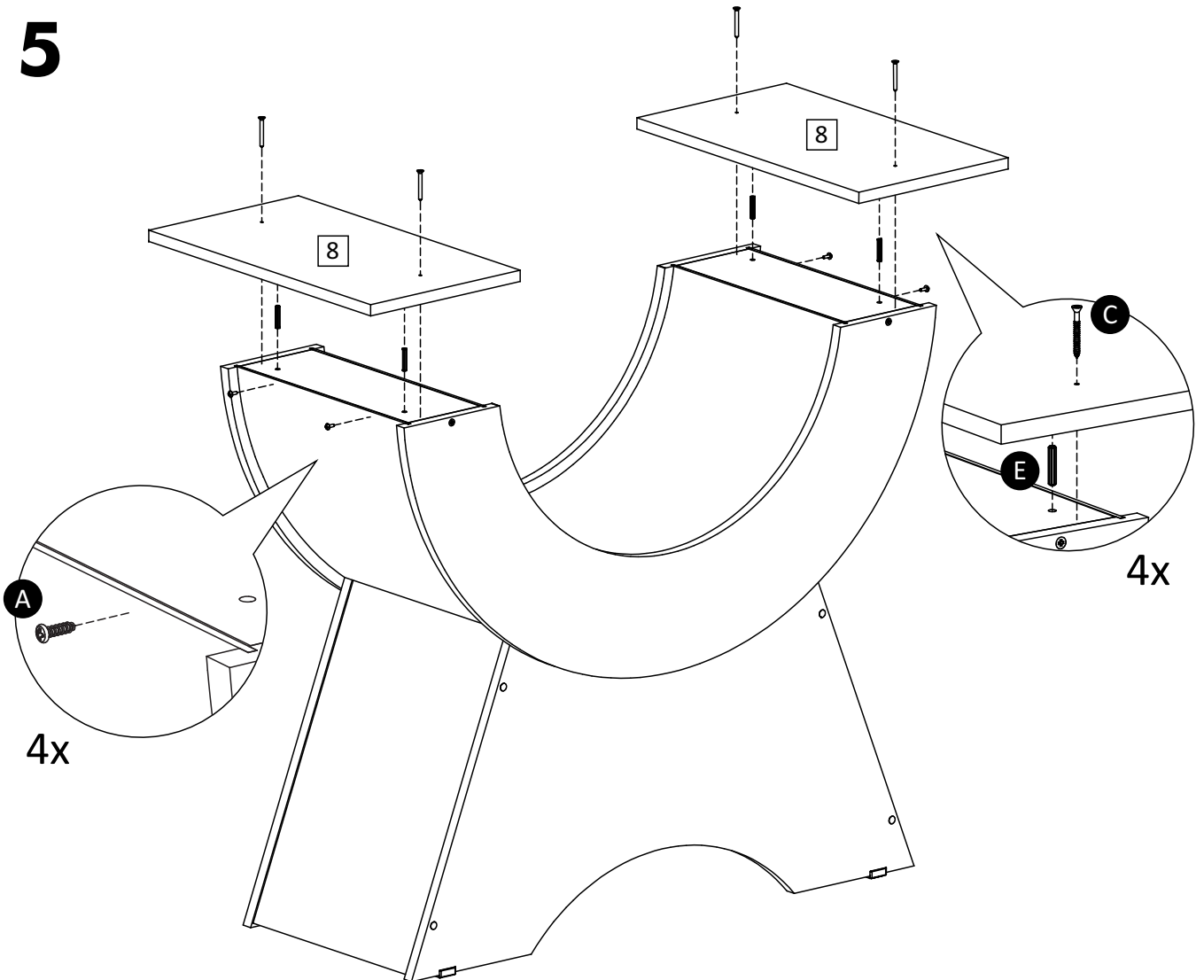


MADESA

4

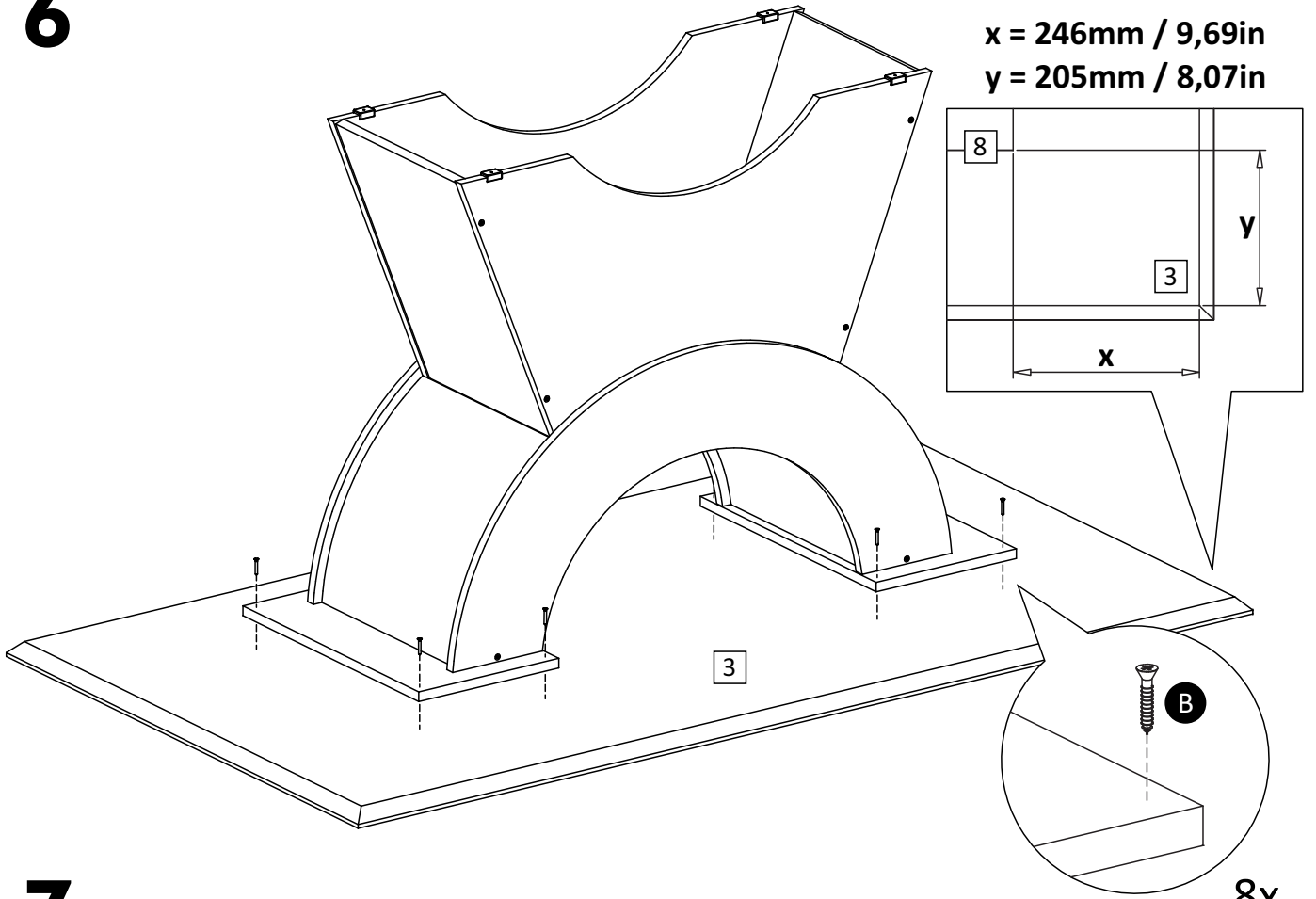


5



6

$x = 246\text{mm} / 9,69\text{in}$
 $y = 205\text{mm} / 8,07\text{in}$



7

