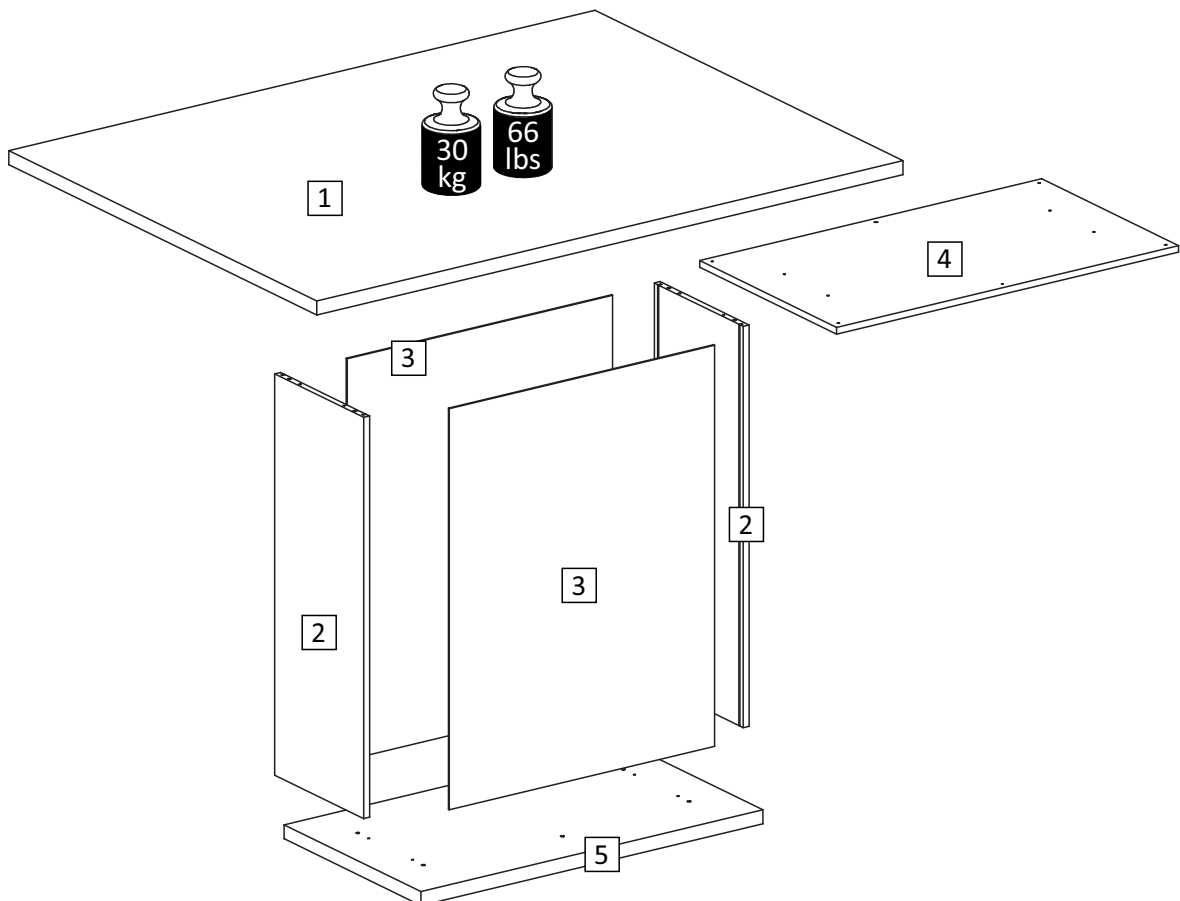
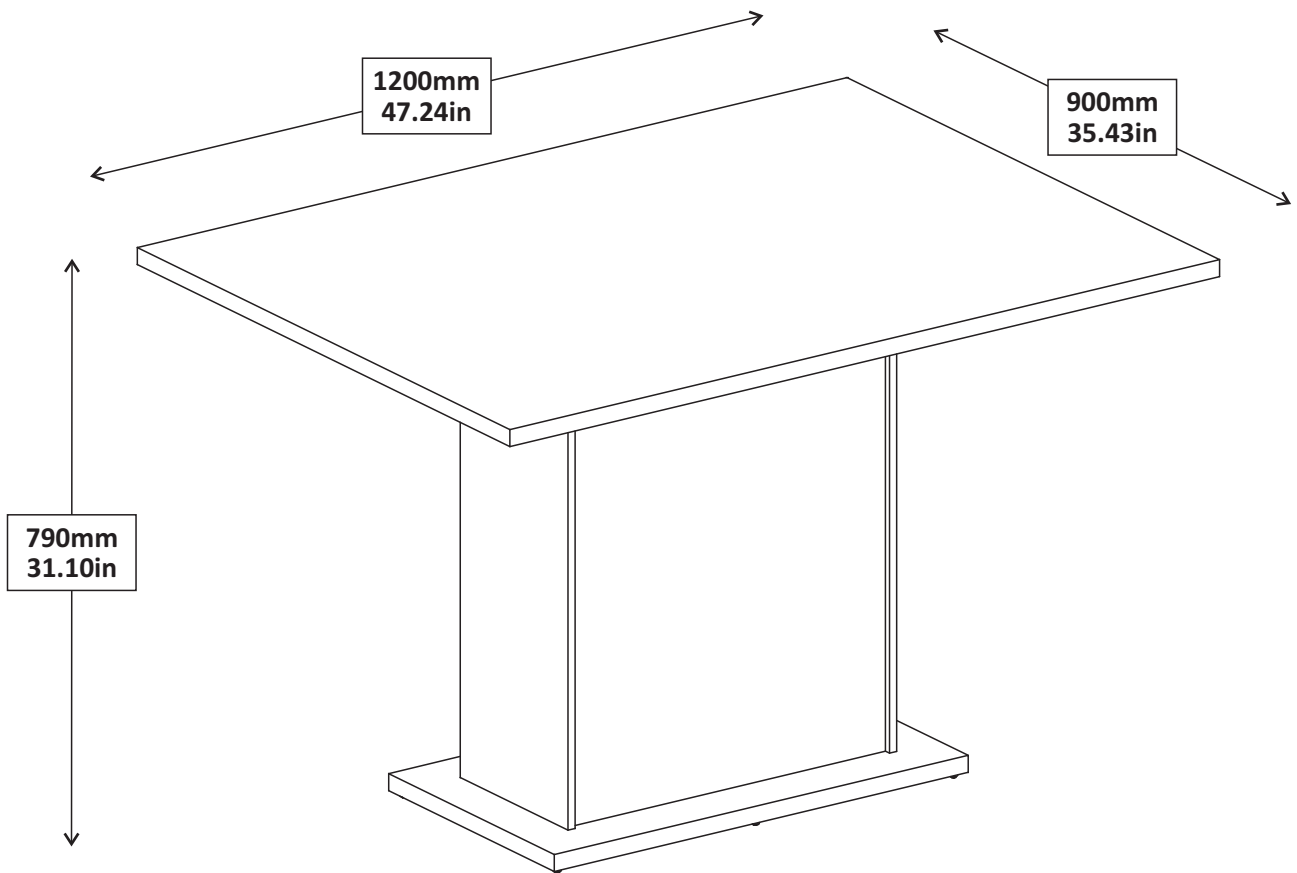
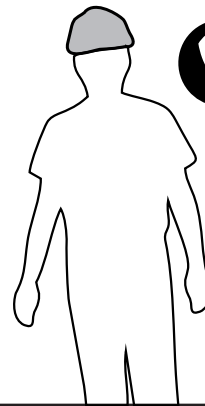
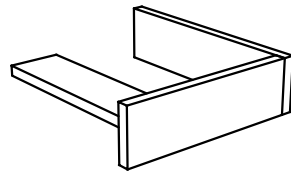
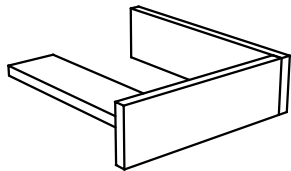
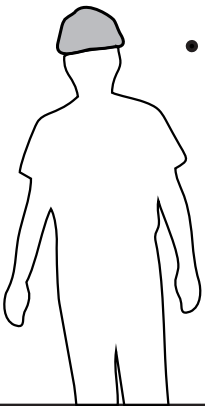
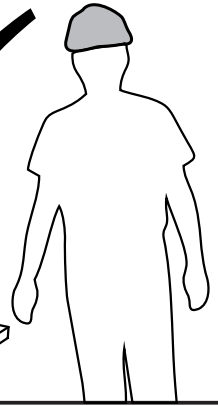
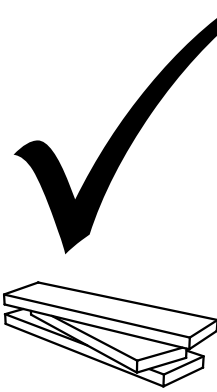
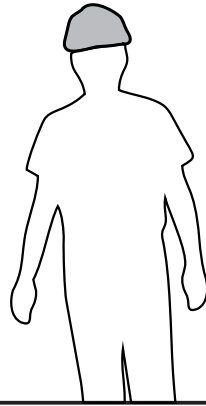
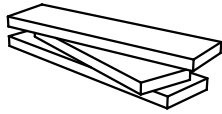
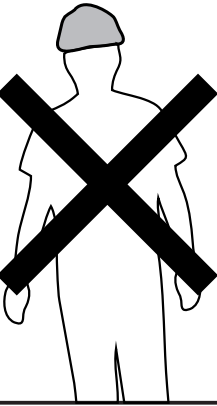
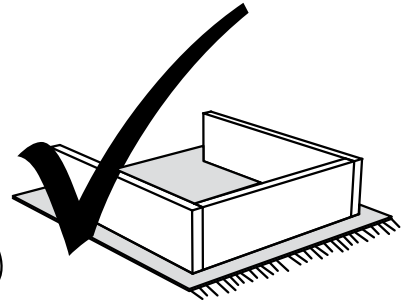
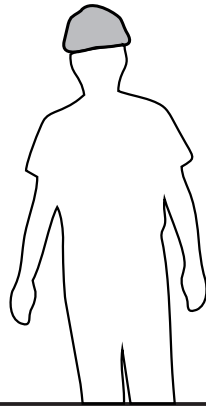
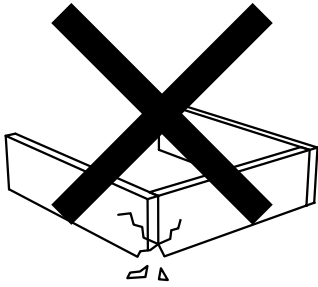
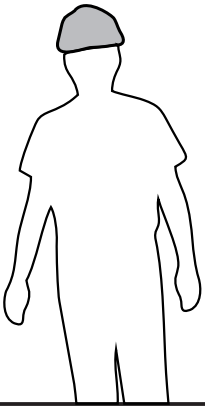
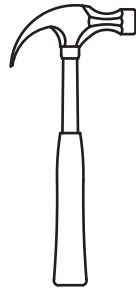
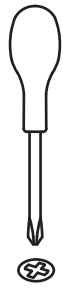
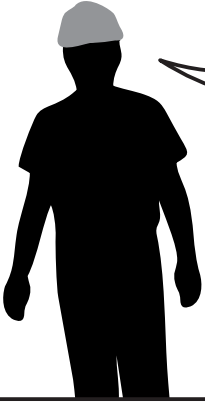


**MADESA**

**5274**

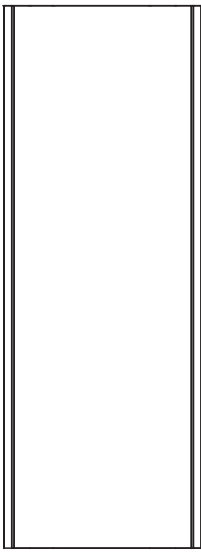


# MADESA

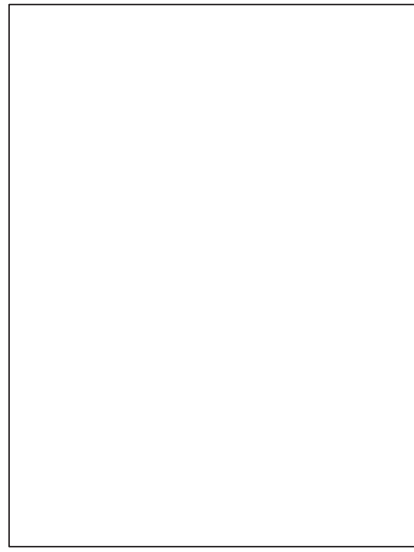




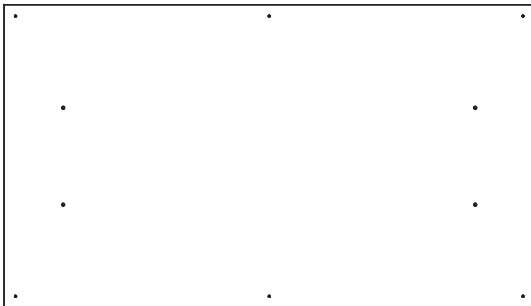
1 (25 x 900 x 1200mm)  
(0,98 x 35,43 x 47,24in)



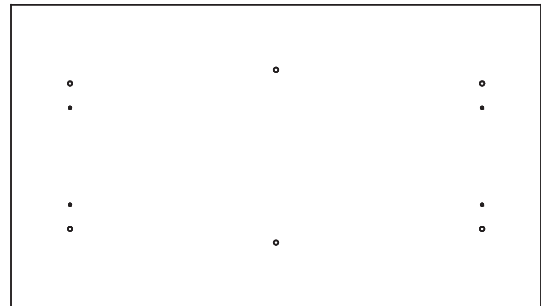
2 (12 x 260 x 720mm) - 2x  
(0,47 x 10,24 x 28,35in)



3 (3 x 543 x 720mm) - 2x  
(0,12 x 21,38 x 28,35in)

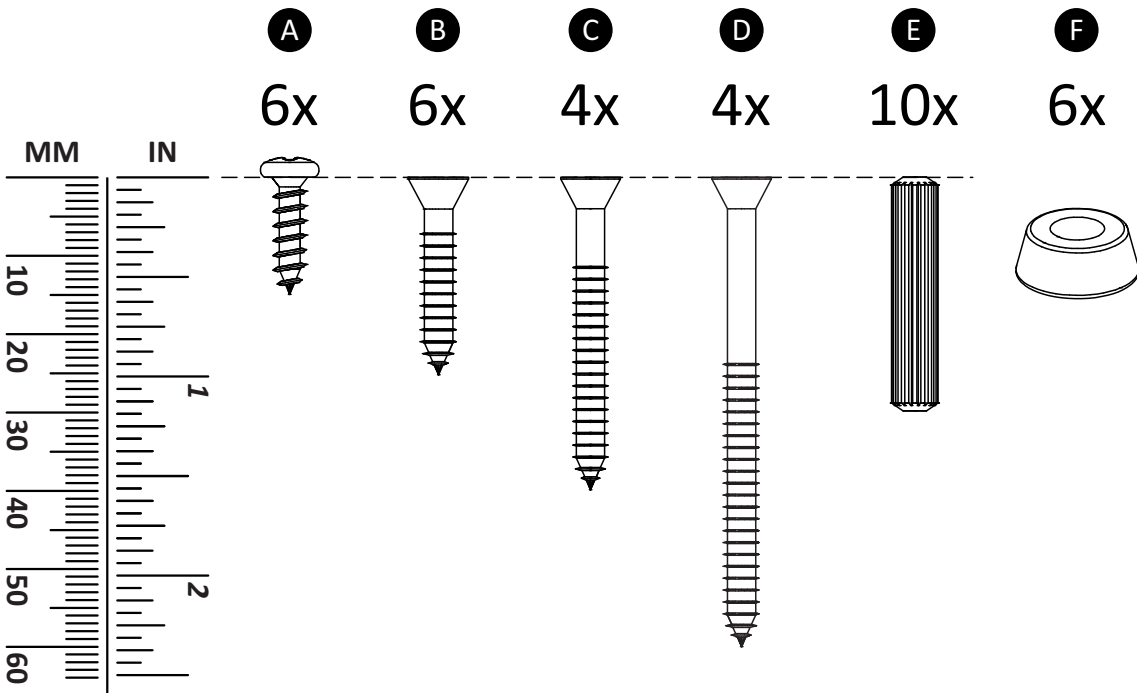


4 (15 x 400 x 700mm)  
(0,59 x 15,75 x 27,56in)

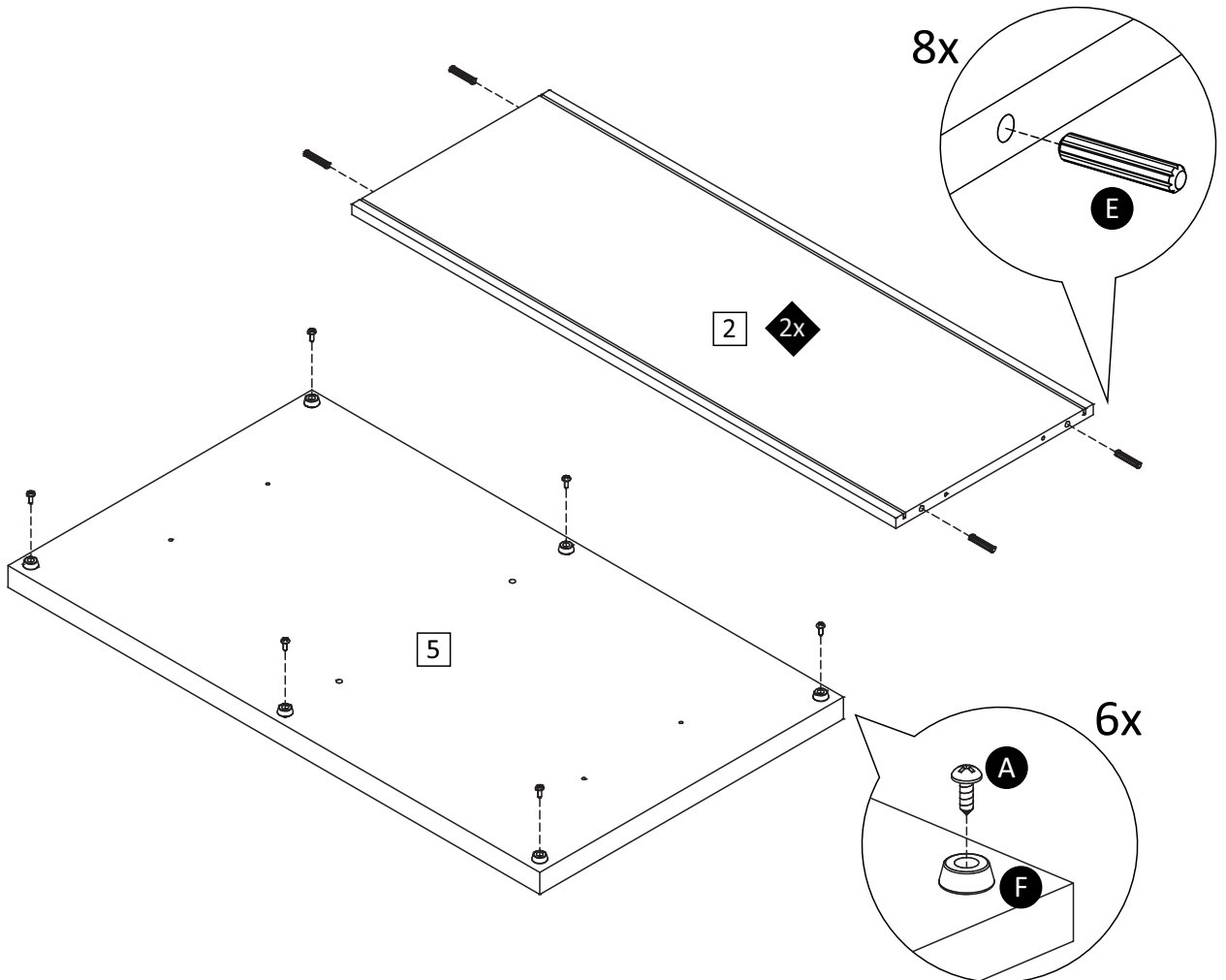


5 (25 x 400 x 700mm)  
(0,98 x 15,75 x 27,56in)

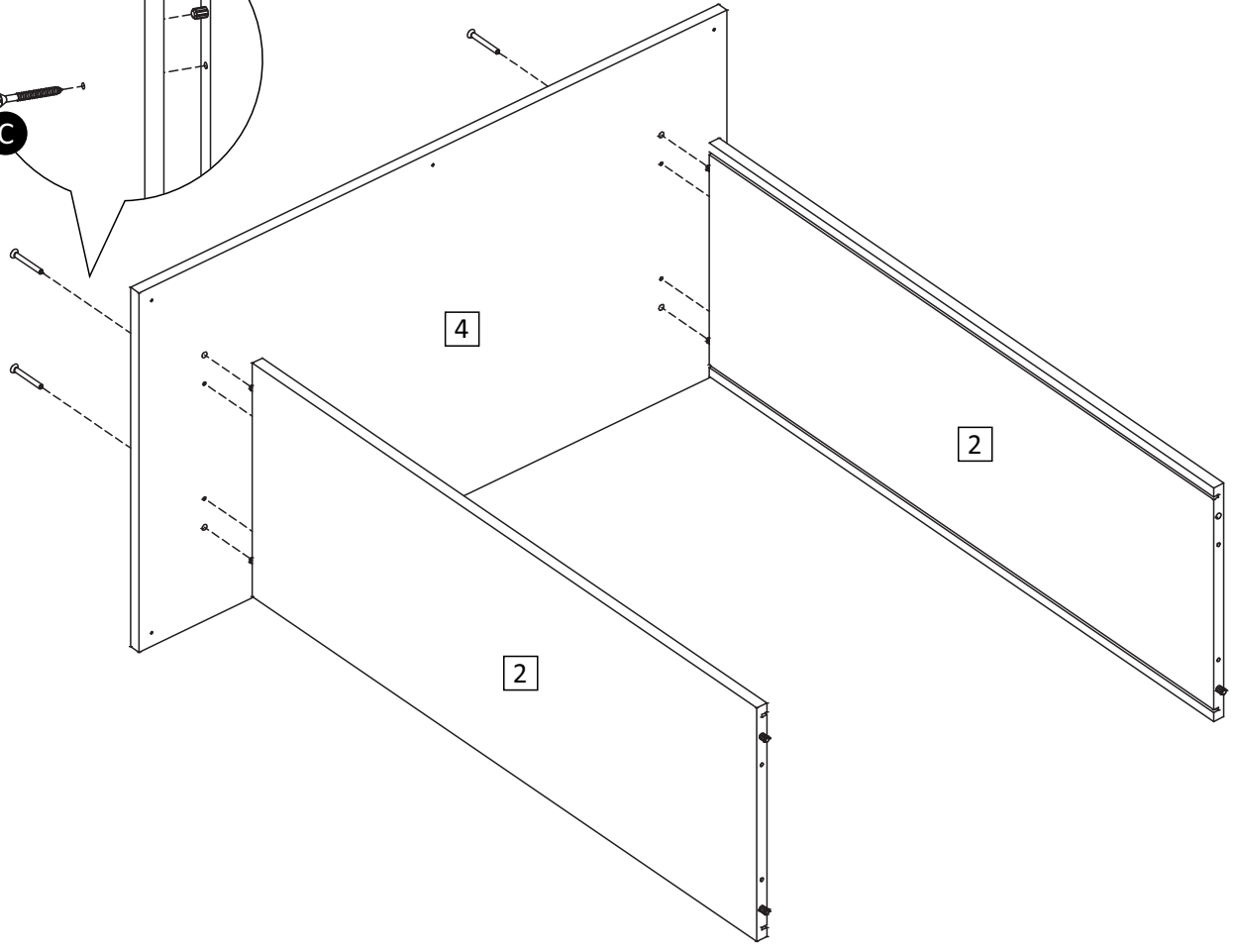
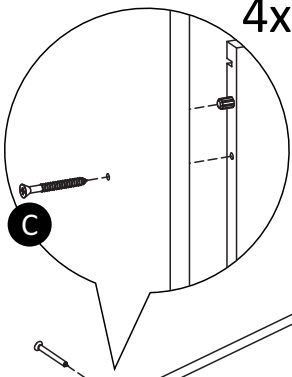
# MADESA



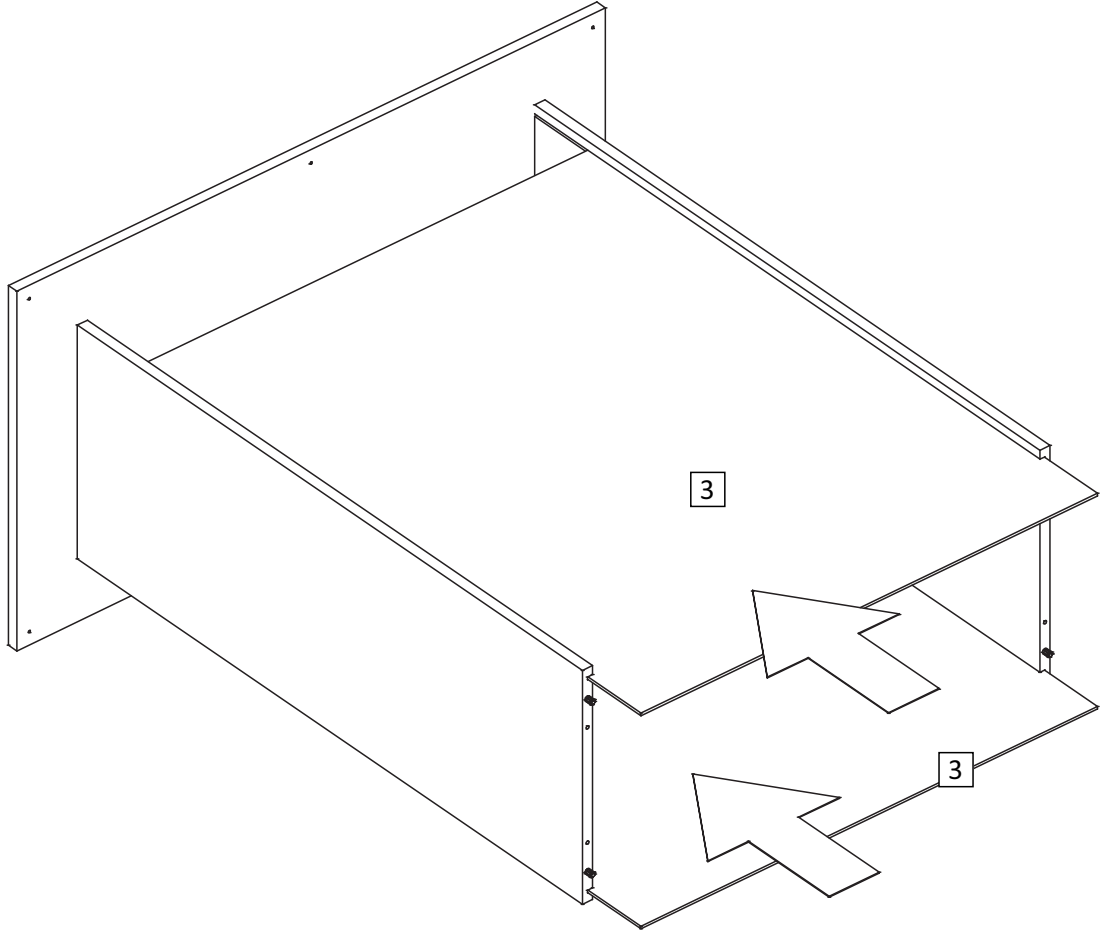
**1**



**2**

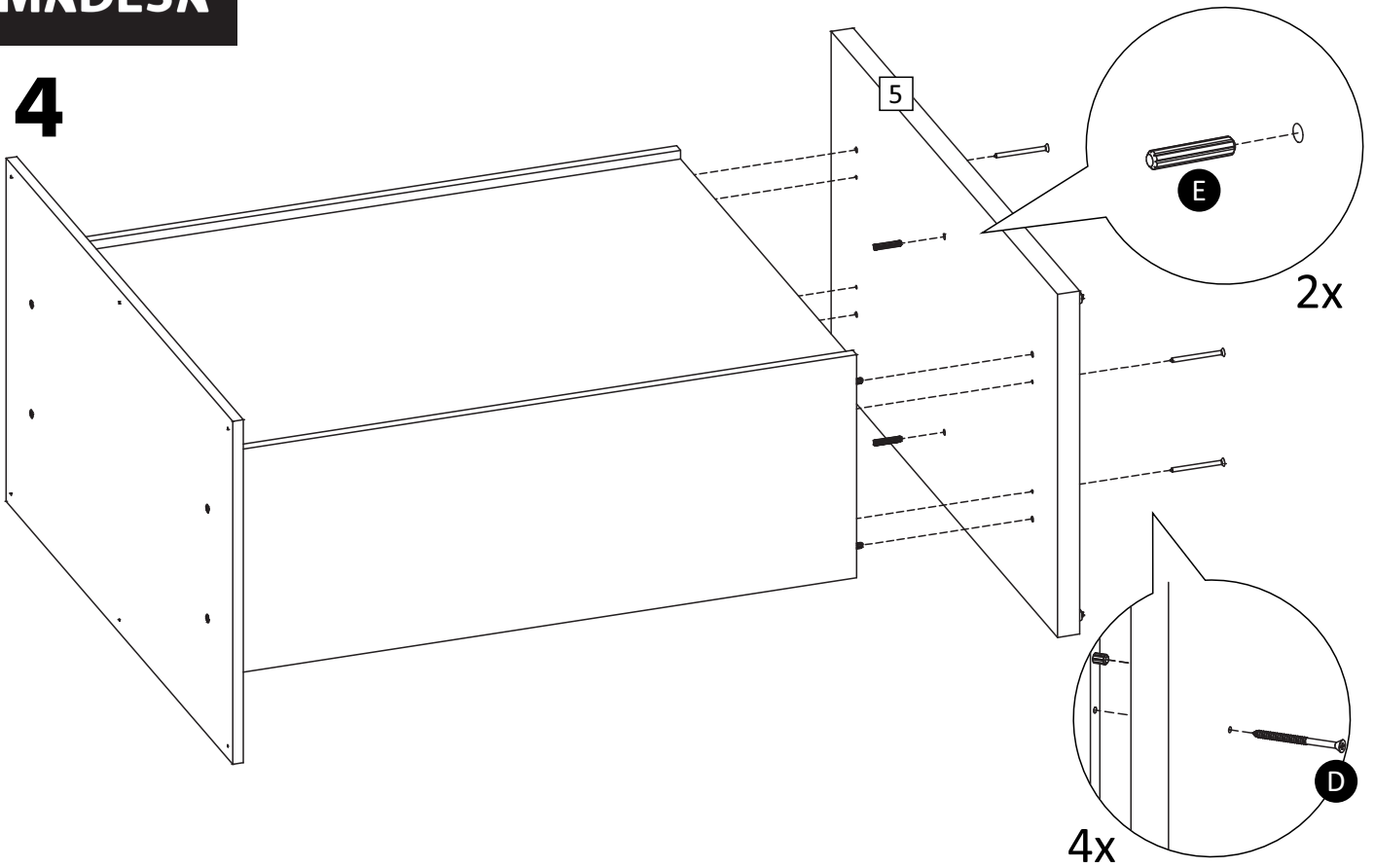


**3**

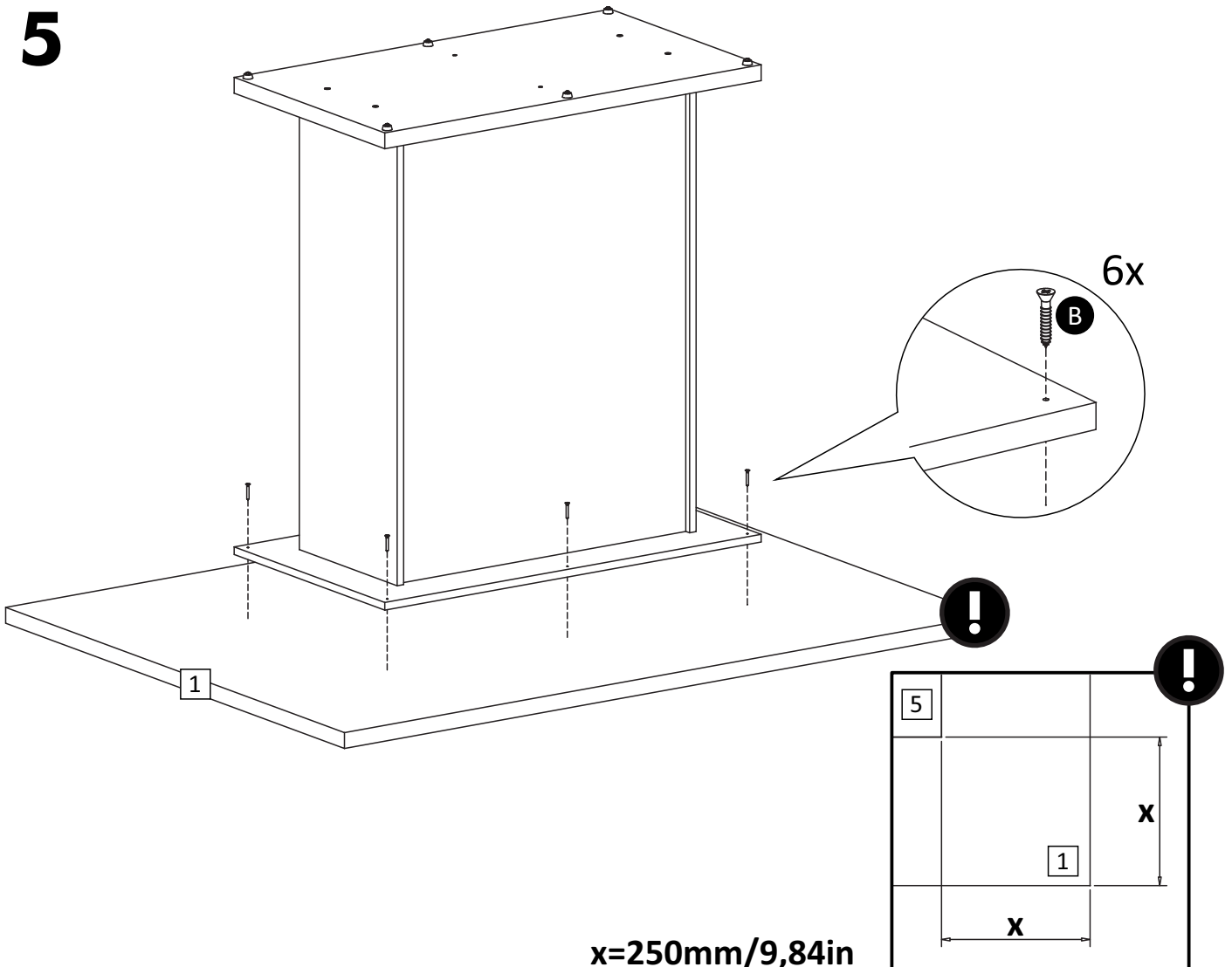


# MADESA

## 4



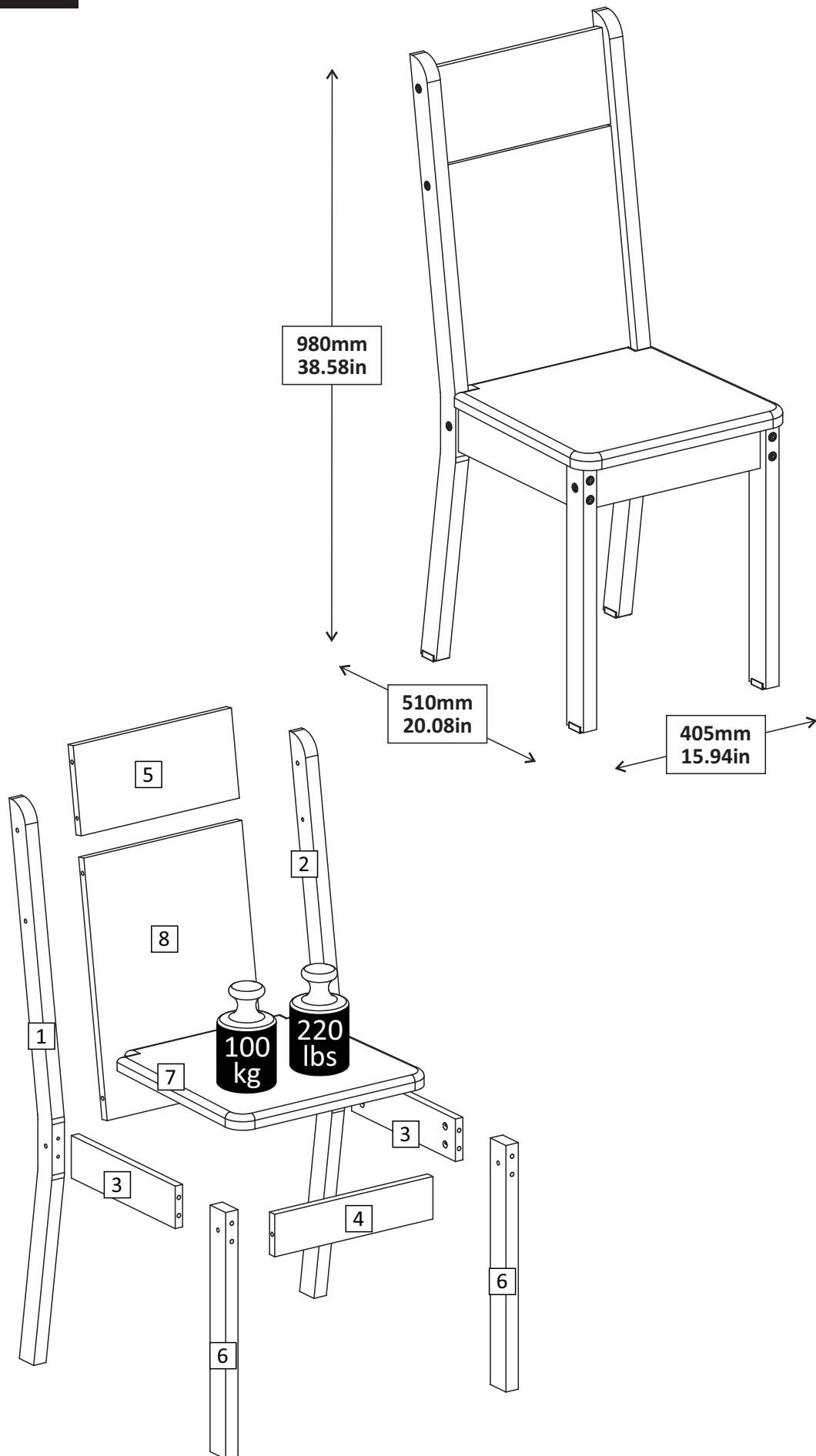
## 5



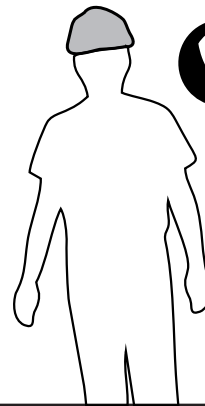
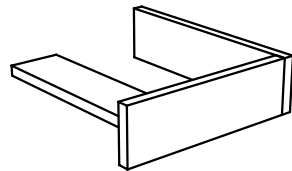
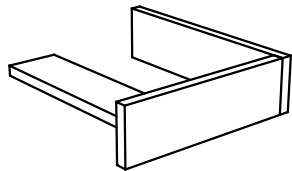
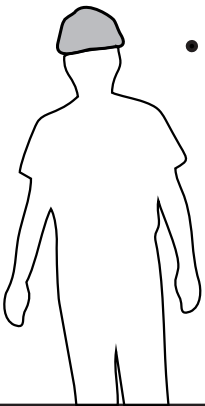
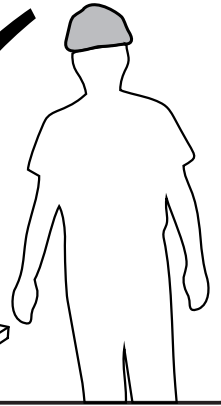
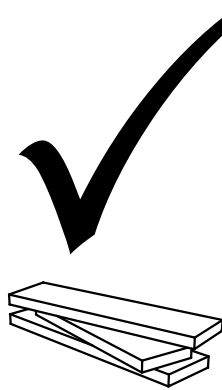
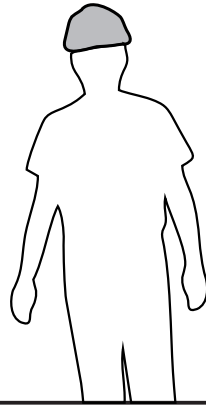
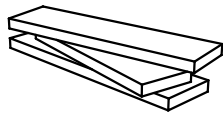
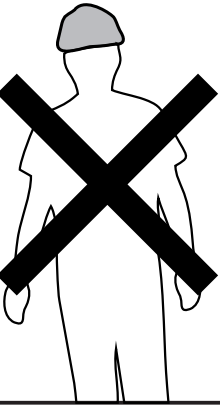
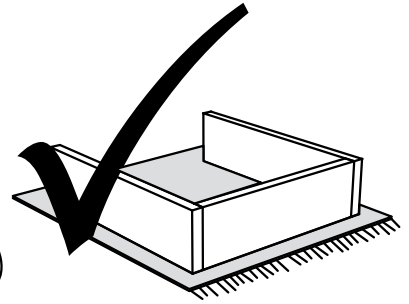
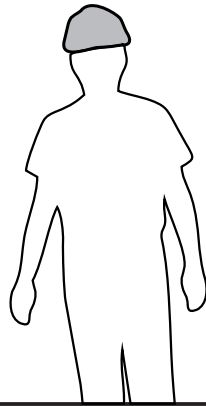
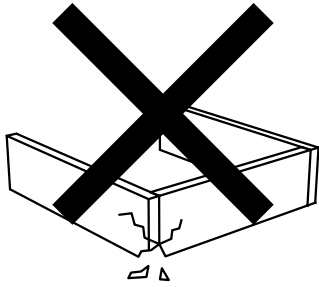
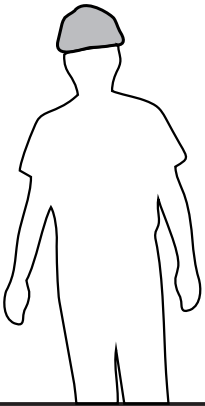
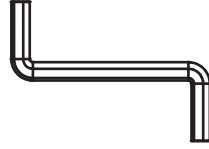
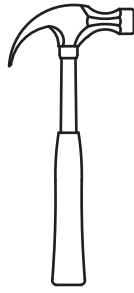
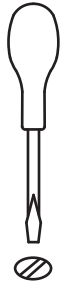
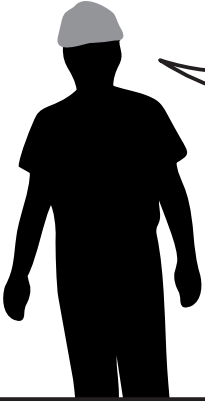
x=250mm/9,84in

**MADESA**

# 4280M



# MADESA







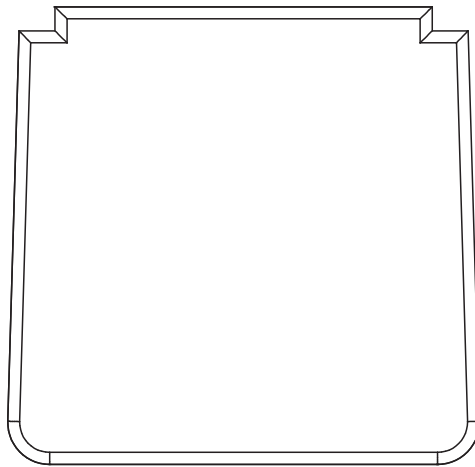
1 (25 x 42 x 980mm)  
(0,98 x 1,65 x 38,58in)



2 (25 x 42 x 980mm)  
(0,98 x 1,65 x 38,58in)



6 (25 x 45 x 435mm) - 2x  
(0,98 x 1,77 x 17,13in)



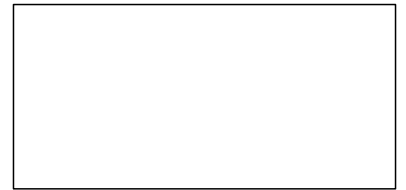
7 (25 x 382 x 396mm)  
(0,98 x 15,04 x 15,59in)



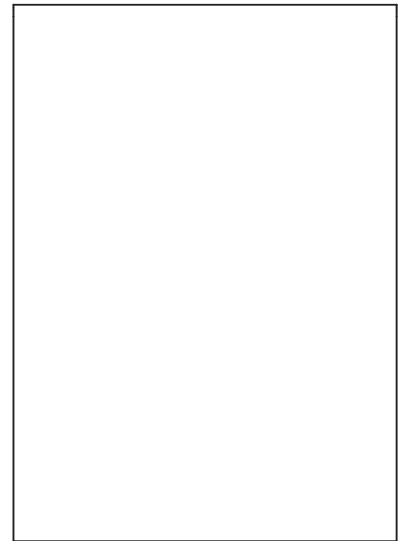
3 (15 x 75 x 300mm) - 2x  
(0,59 x 2,95 x 11,81in)



4 (15 x 75 x 320mm)  
(0,59 x 2,95 x 12,60in)

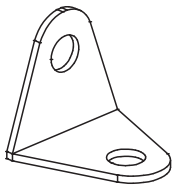
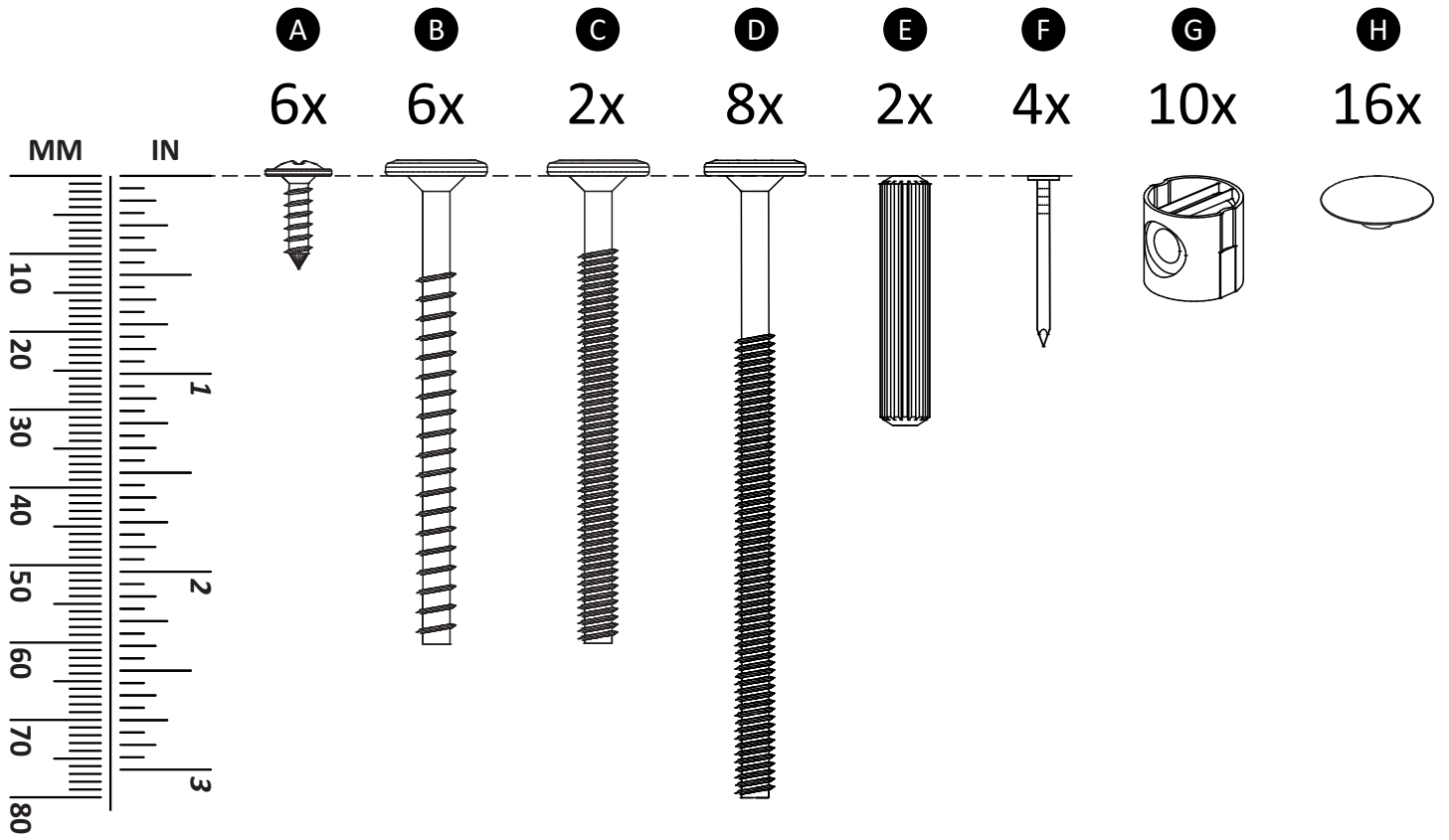


5 (15 x 320 x 154mm)  
(0,59 x 12,60 x 6,06in)

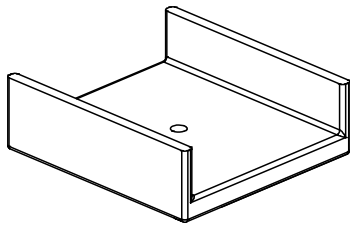


8 (15 x 320 x 448mm)  
(0,59 x 12,60 x 17,64in)

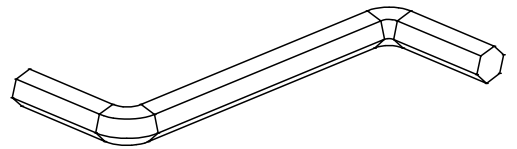
# MADESA



**I**  
3x

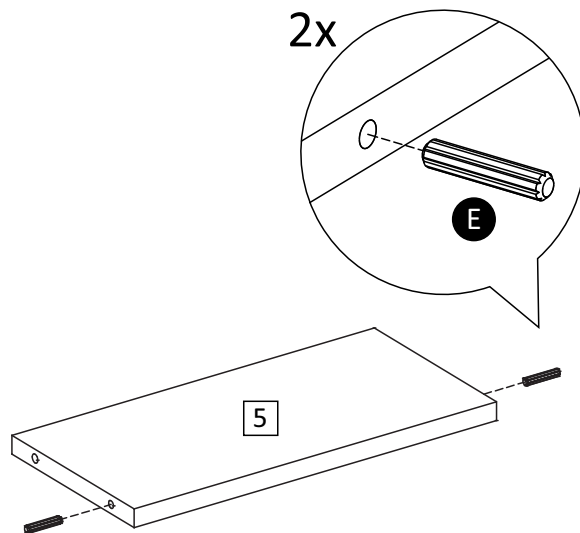


**J**  
4x



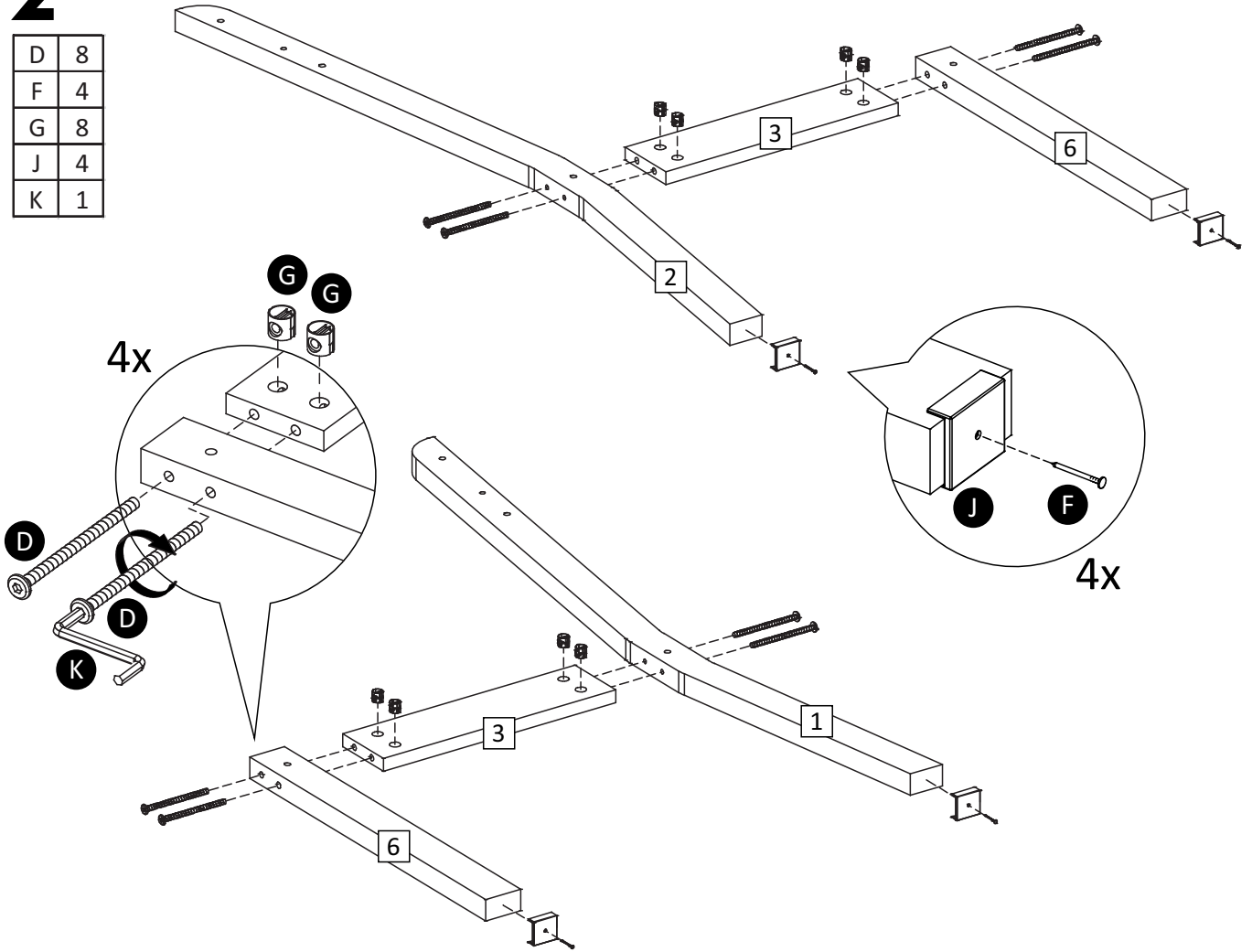
**K**  
1x

**1** E 2



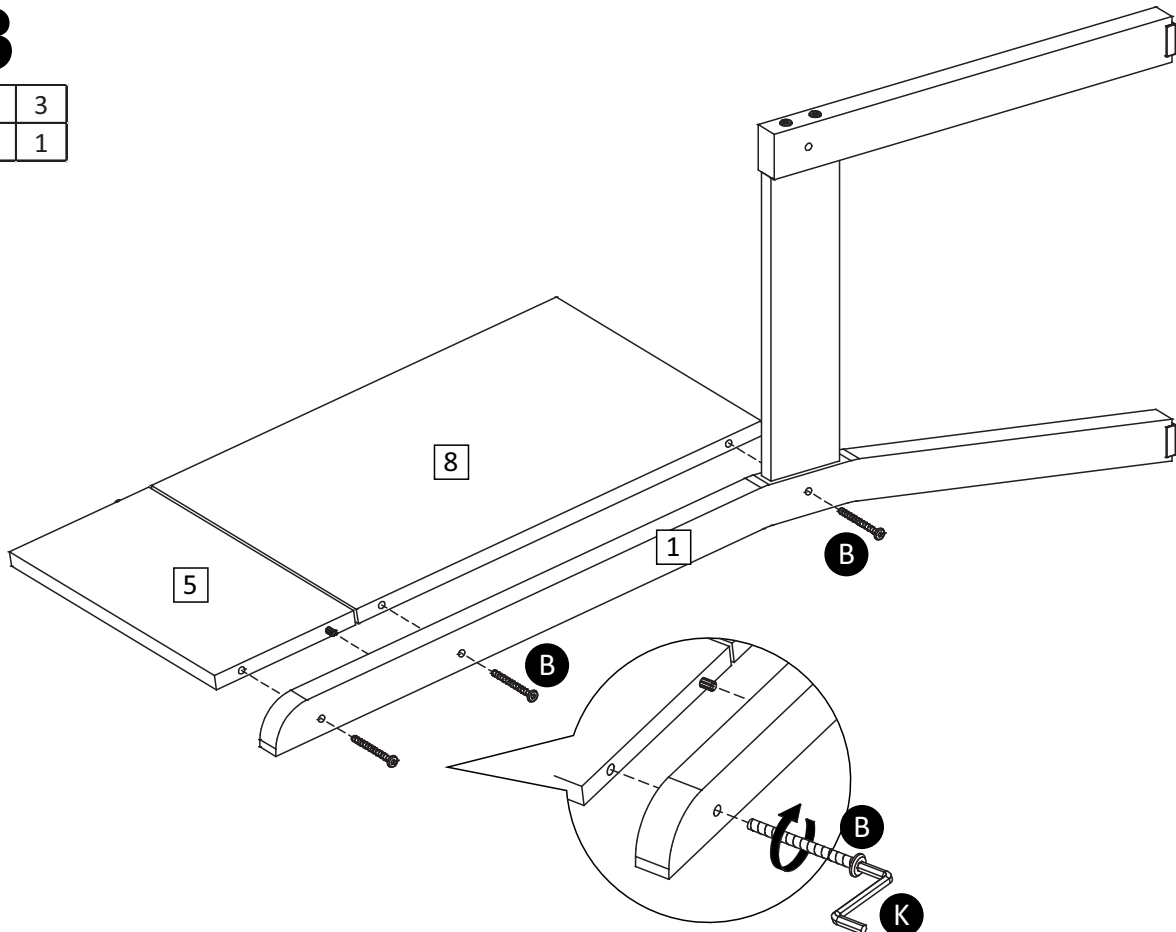
# 2

D	8
F	4
G	8
J	4
K	1



# 3

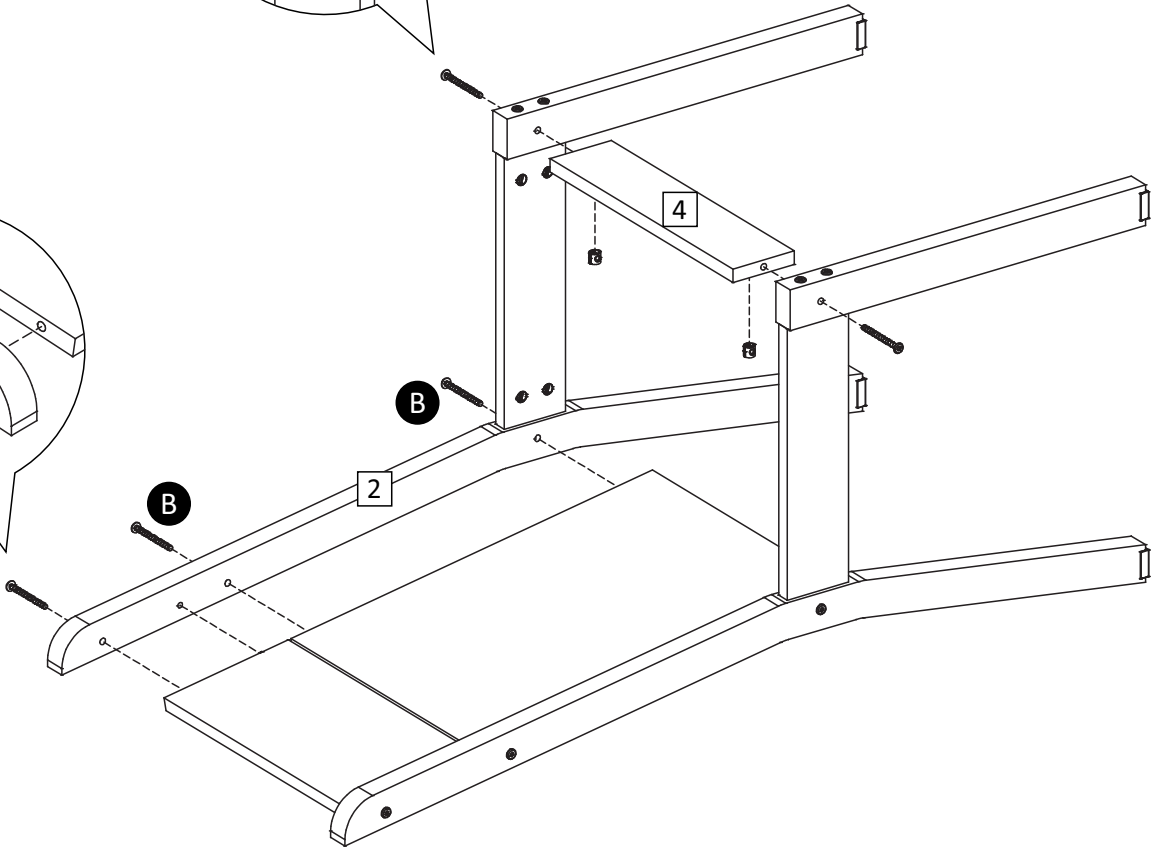
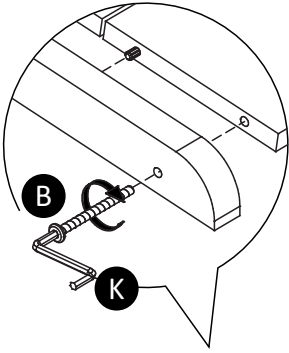
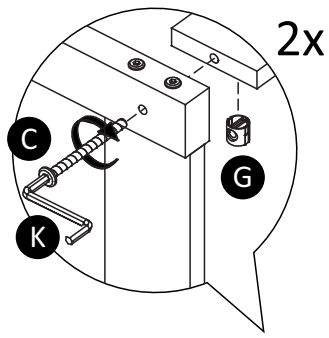
B	3
K	1



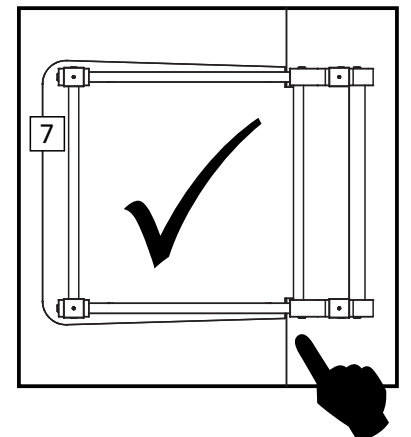
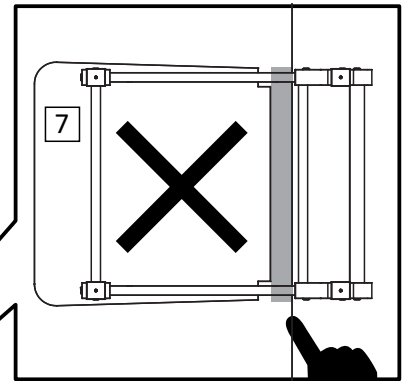
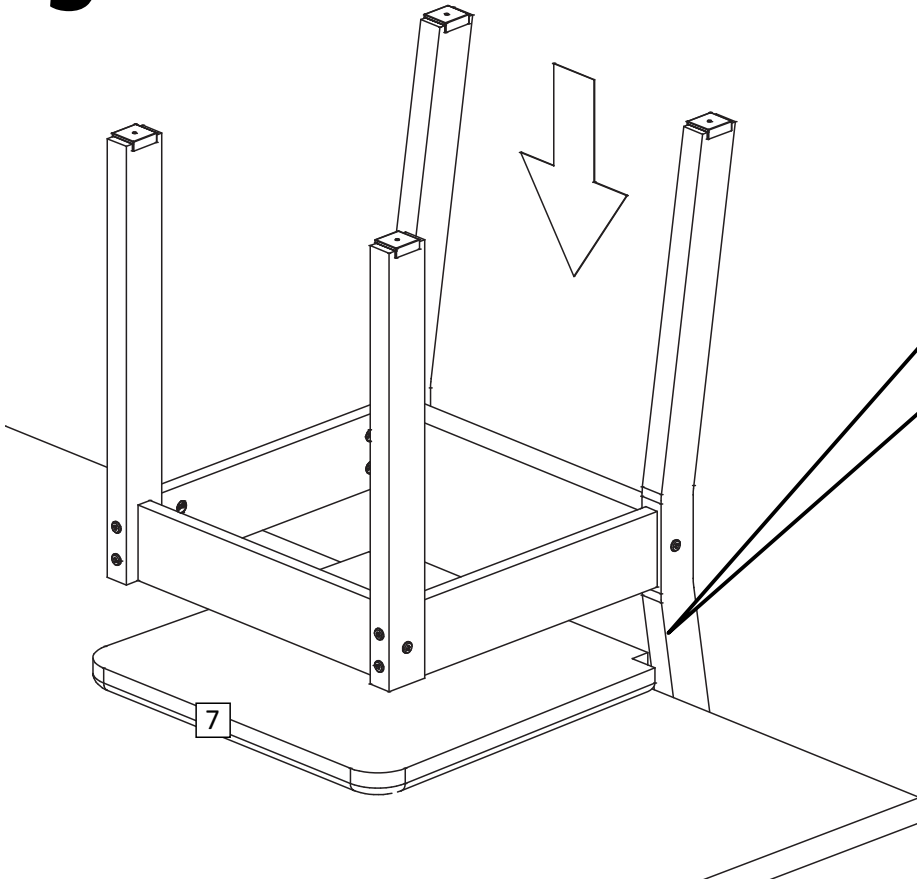
# MADESA

## 4

B	3
C	2
G	2
K	1

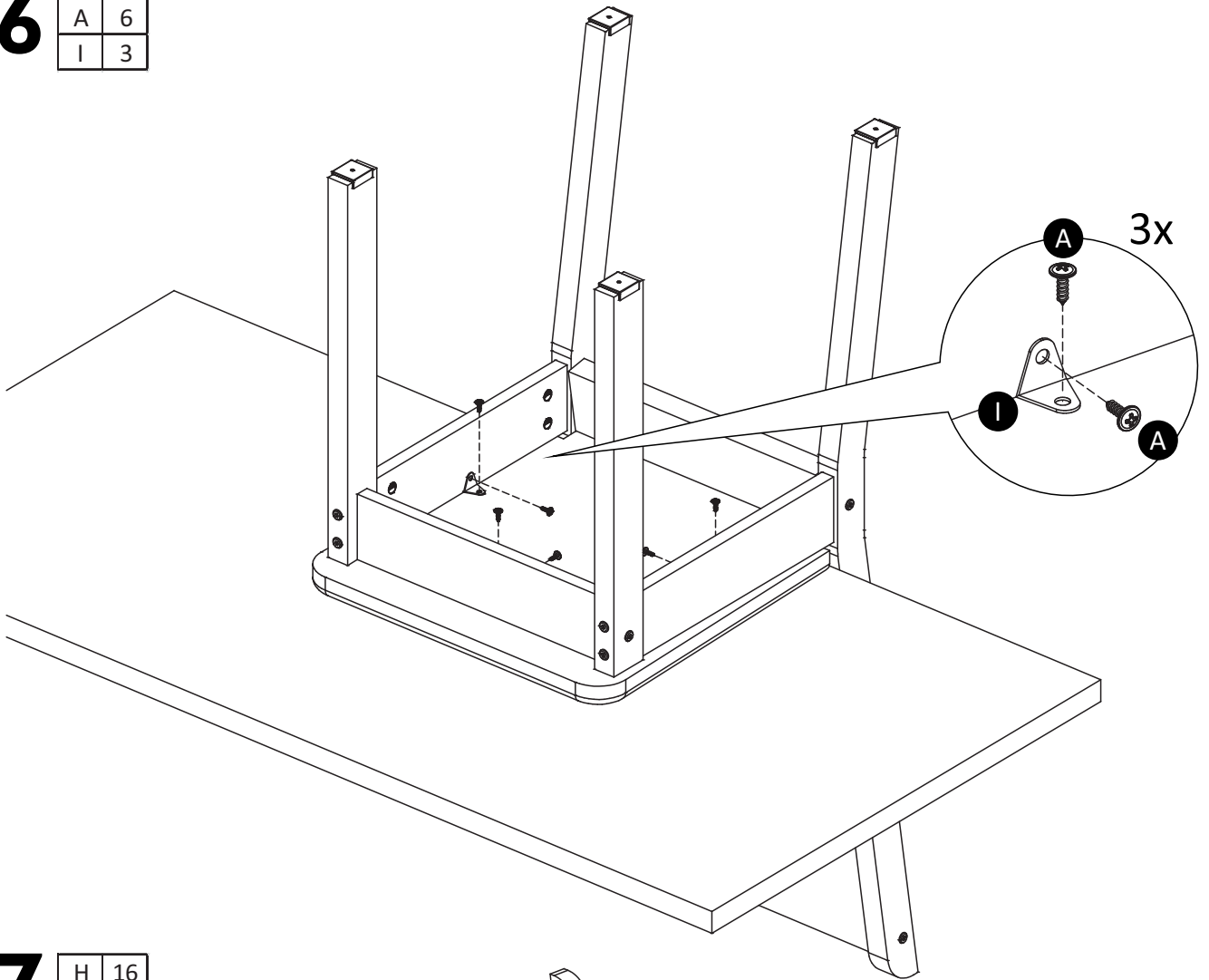


## 5



**6**

A	6
I	3



**7**

H	16
---	----

