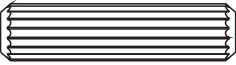


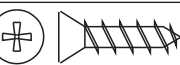

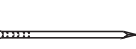
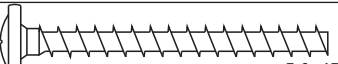

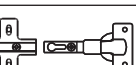


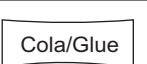

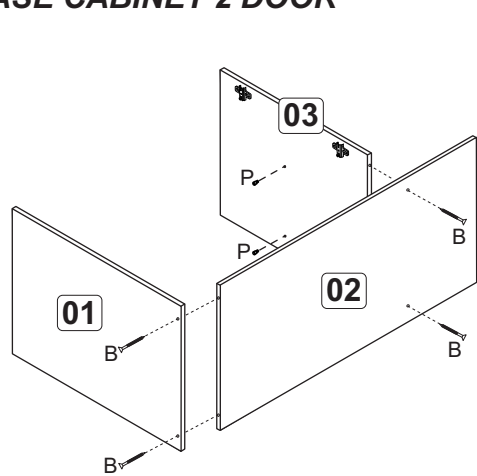
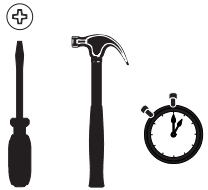


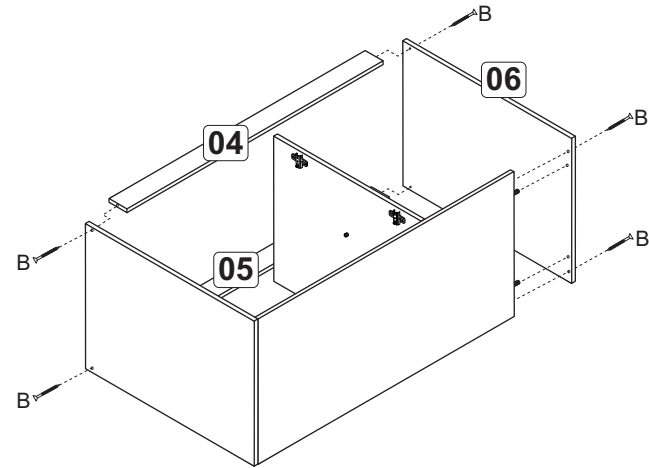
BP04

BALCÃO 2 PORTAS SEM TAMPO
BALCÓN 2 PUERTAS SIN TAPA
BASE CABINET 2 DOOR

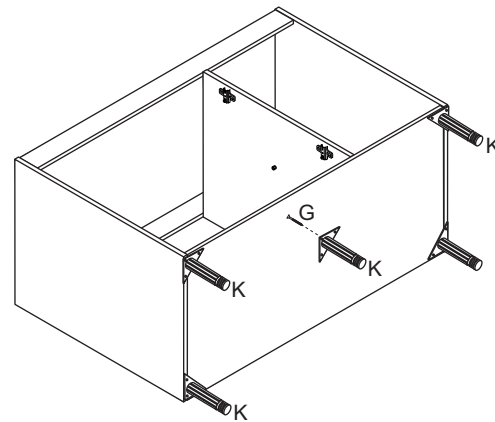
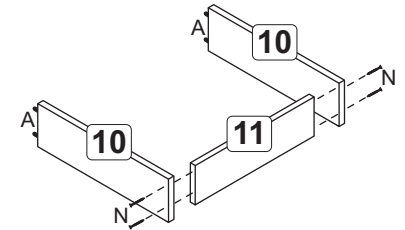
A		12
B		10
C		08
D		62
E		03
F		55
G		05
H		10
J		04
K		05
L		05
M	Cola/Glue	01
N		12
P		04



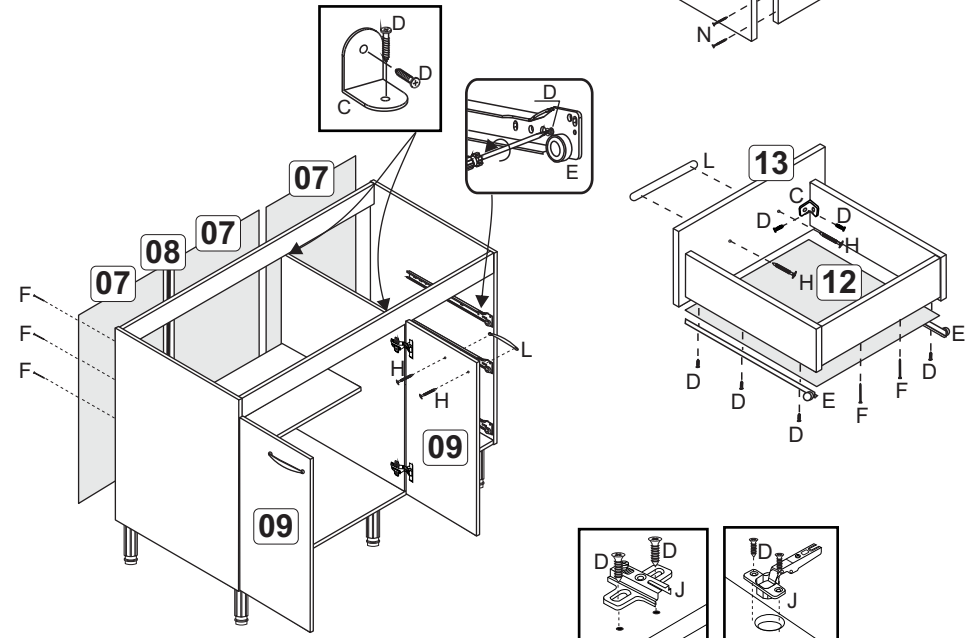
1



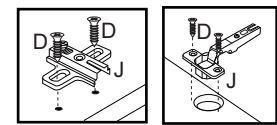
2





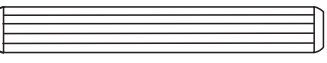
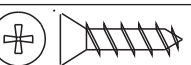

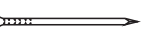
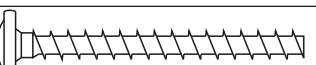
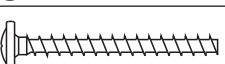
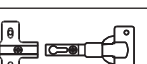




3

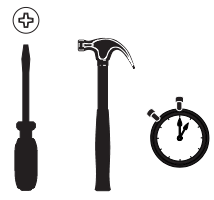
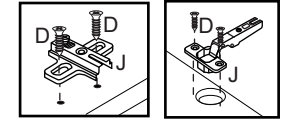
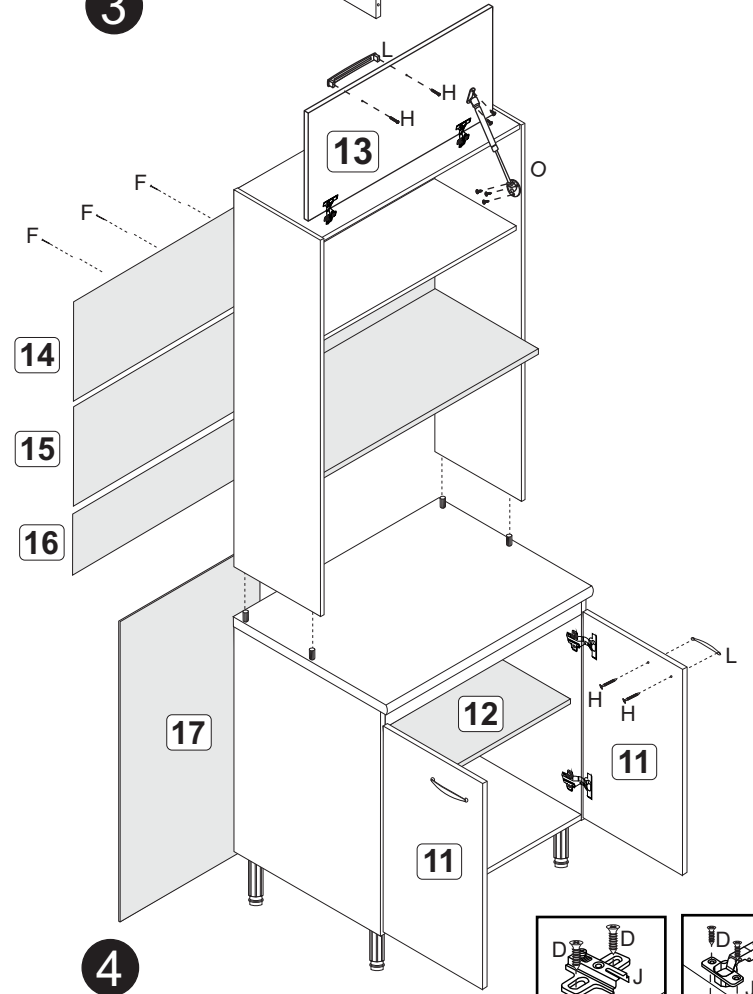
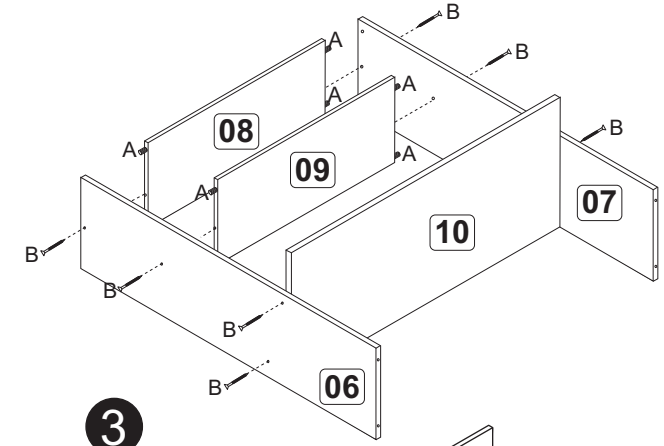
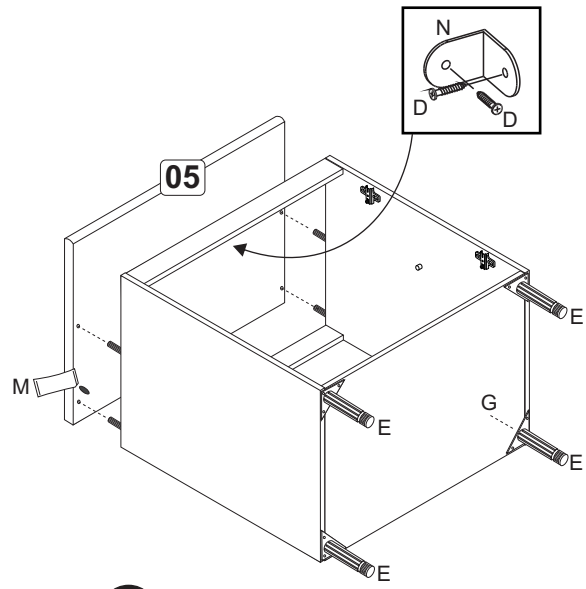
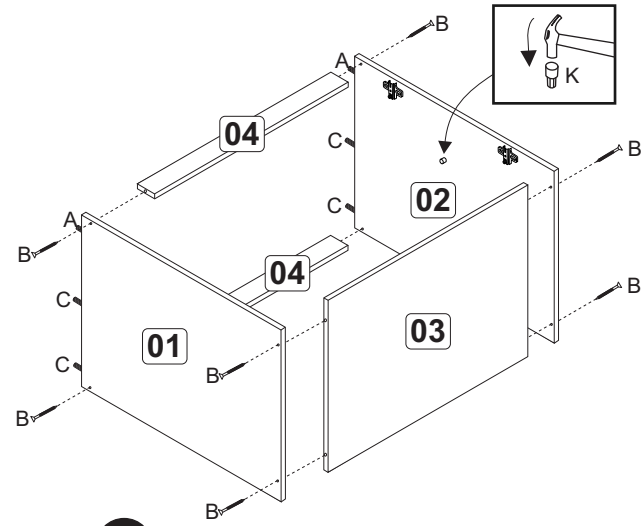


4




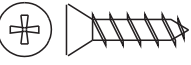

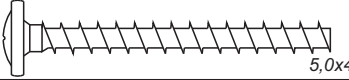

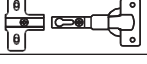



KD 23 KIT

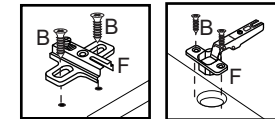
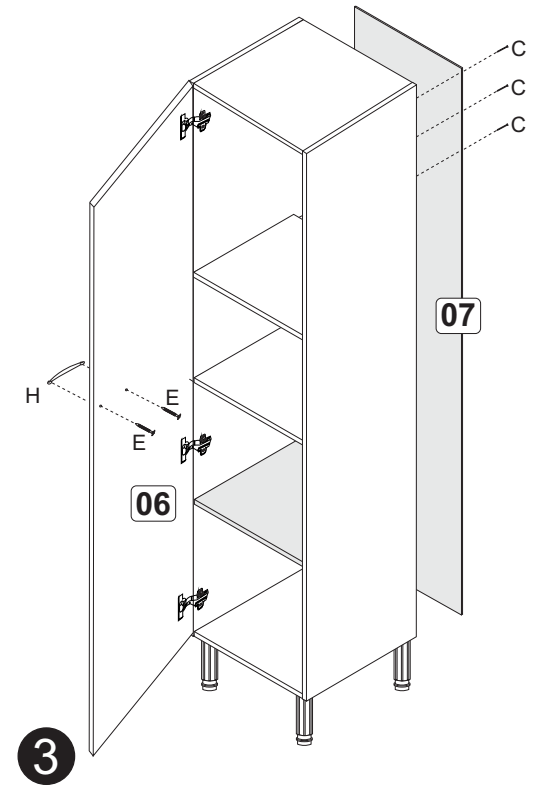
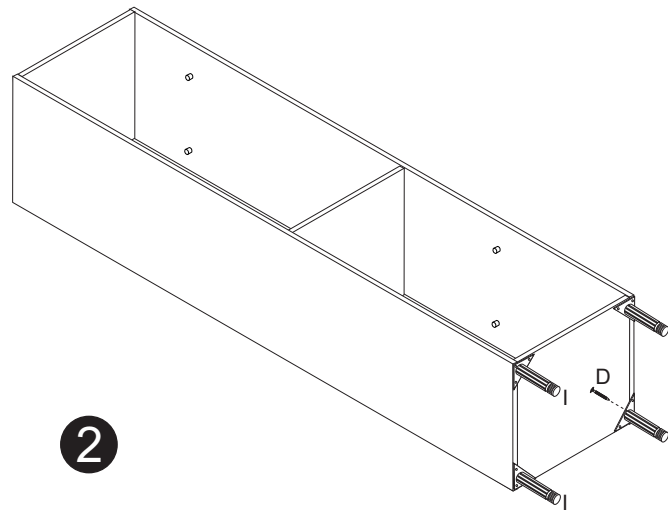
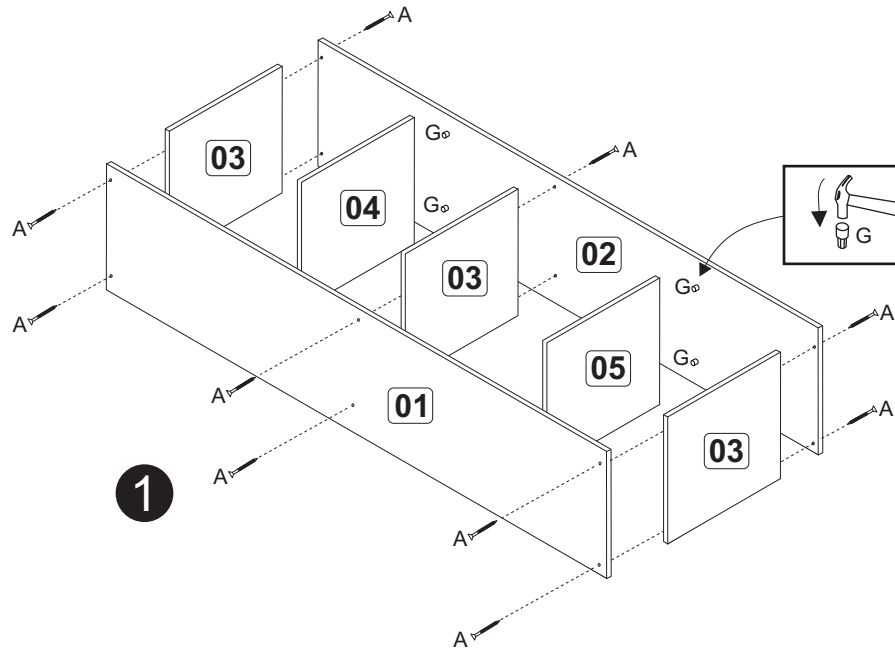
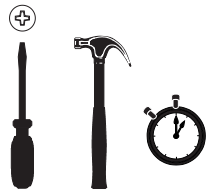
A		14
B		16
C		04
D		26
E		04
F		60
G		04
H		06
J		06
K		04
L		03
M	Cola/Glue	01
N		01
O		01



PA 23

PANELEIRO
ARMÁRIO PARA OLLAS
SIMPLE HIGH CABINET

A		12
B		12
C		60
D		04
E		02
F		03
G		08
H		01
I		04

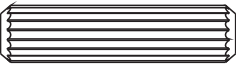

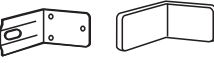

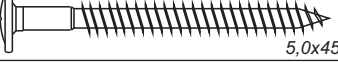




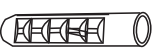




AR 33

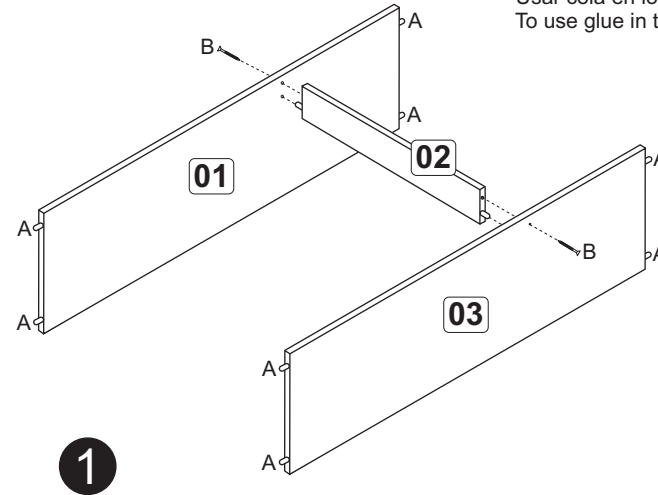
ARMÁRIO TRIPLO SUPERIOR

WALL CABINET 3 DOOR

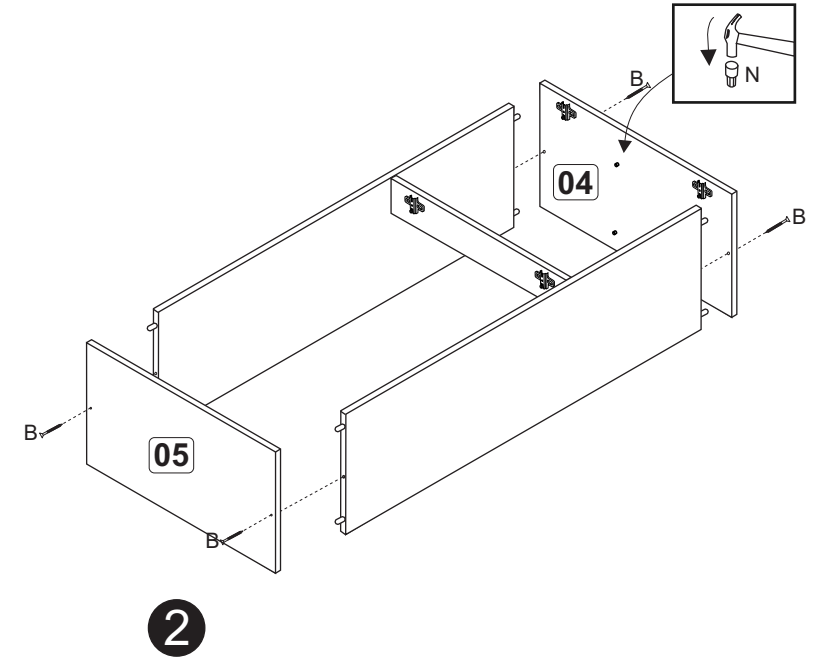
ARMARIO 3 PUERTAS

A		6x30	10
B		4,5x40	06
C			04
D		3,5x14	38
E		5,0x45	04
F		10x10	25
G			01
H		4,0x25	06
J			06
K			04
L			03
M	Cola/Glue		01
N			04

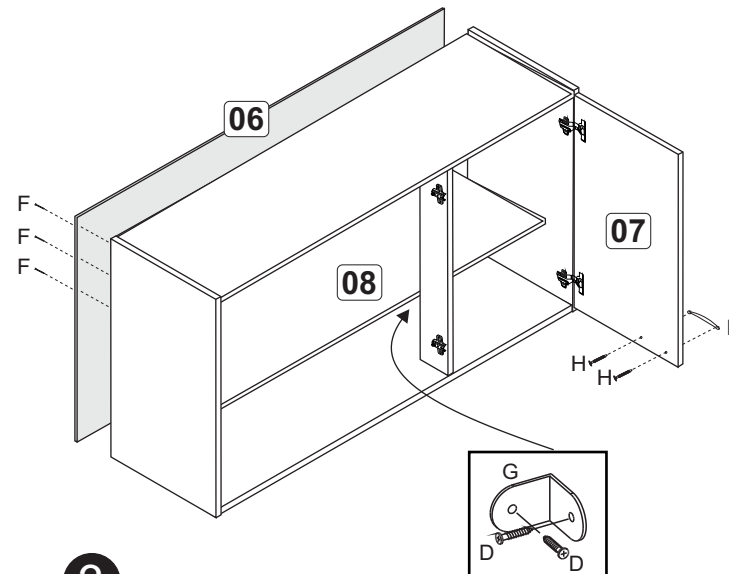
Obs.: Usar cola nas cavilhas
Usar cola en los tarugos
To use glue in the dowel



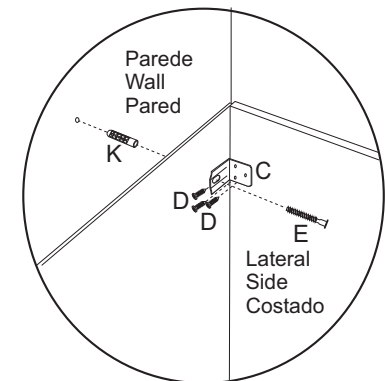
1



2



3



Fixação na parede
Fixed in the wall
Fijación en la pared

