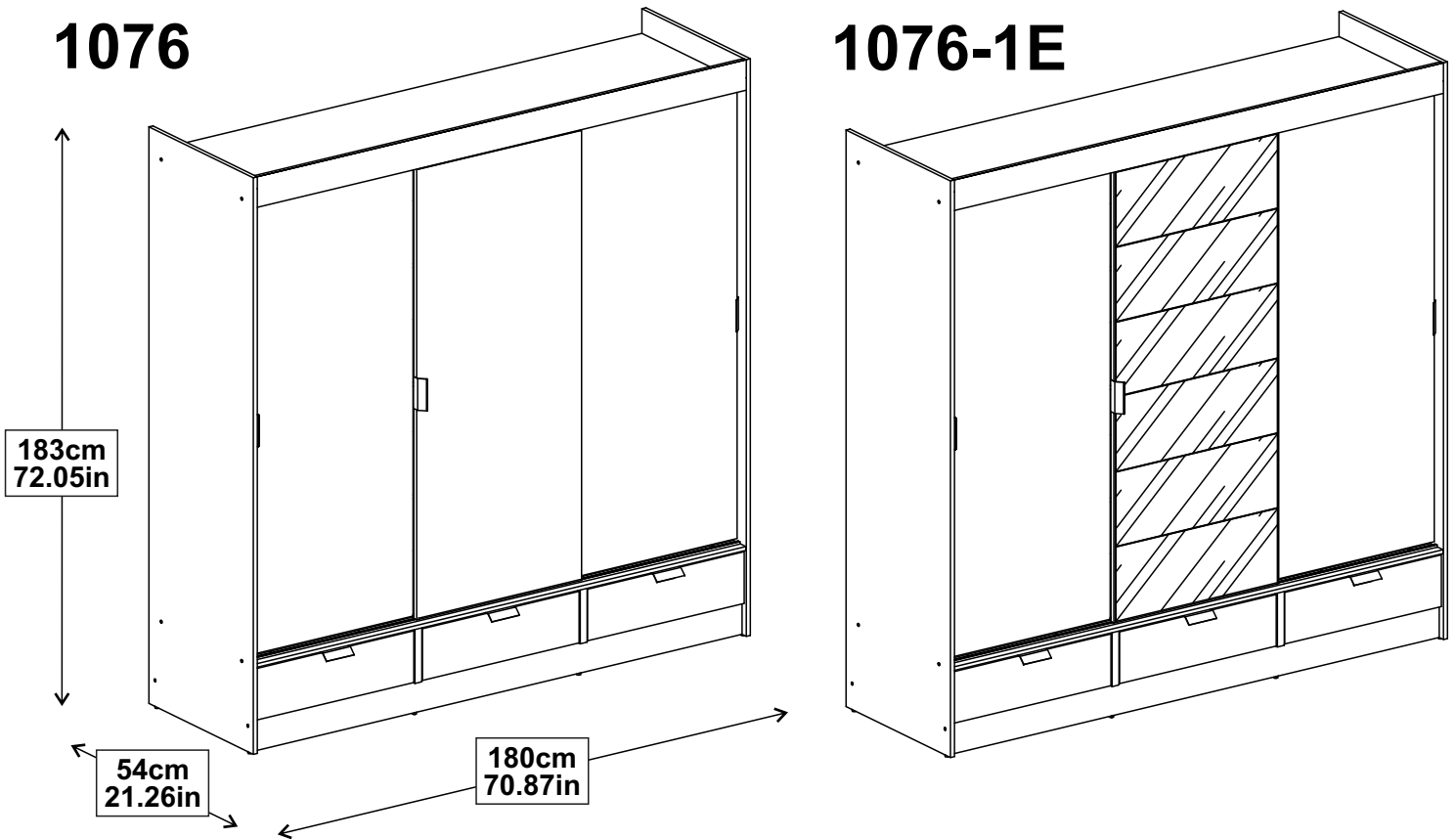


MADESA

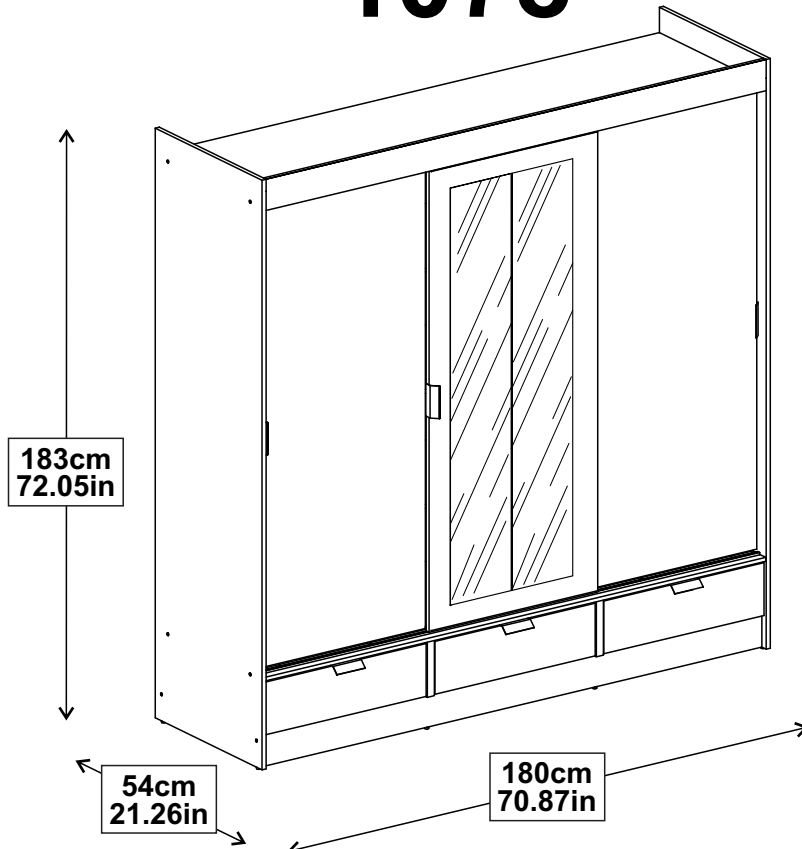
1076

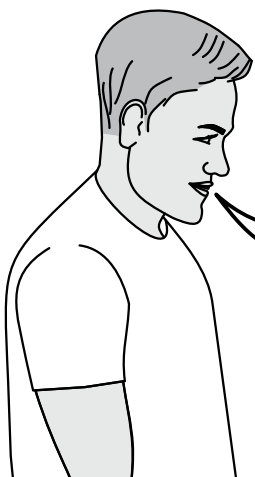
1076

1076-1E

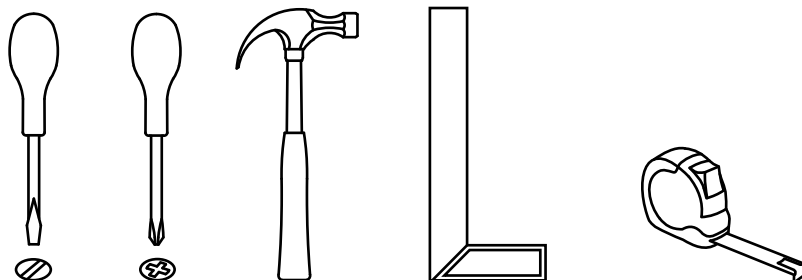


1078





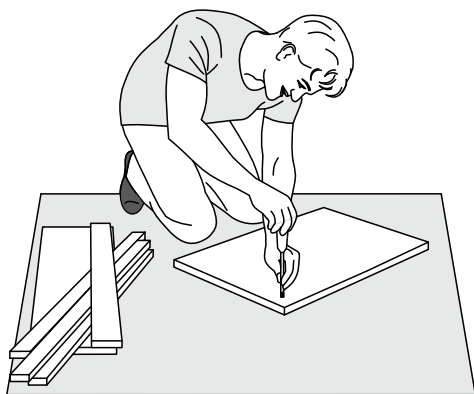
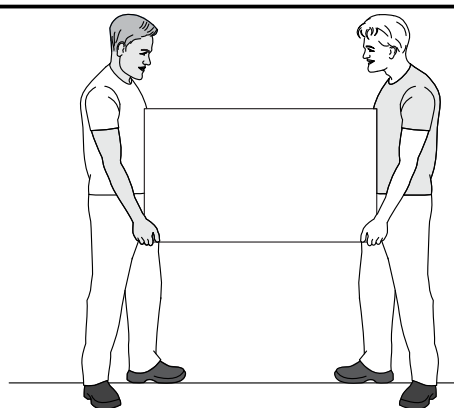
Ferramentas necessárias para montar o móvel.
Herramientas necesarias para armar el mueble.
Tools needed to assemble the furniture.



A montagem deve ser efetuada por duas pessoas.

El montaje debe ser efectuado por dos personas.

The assembly must be done by two people.



Montar o móvel sobre uma superfície limpa e plana.

Armar el mueble sobre una superficie limpia y plana.

Assemble the furniture on a clean and flat surface.

Dúvidas? Entrar em contato:
¿Dudas? Ponerse en contacto:

Doubts? Get in touch:

in@madesa.com
www.madesa.com
www.youtube.com/madesamoveisvideos

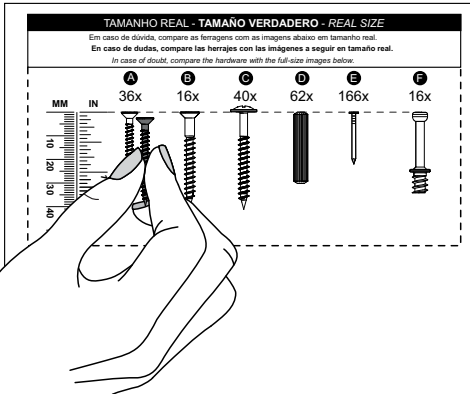


TAMANHO REAL - TAMAÑO VERDADERO - REAL SIZE

Em caso de dúvida, compare as ferragens com as imagens abaixo em tamanho real.

En caso de dudas, compare las herrajes con las imágenes a seguir en tamaño real.

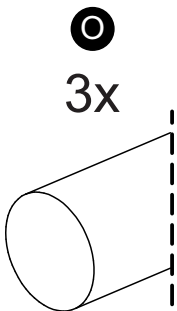
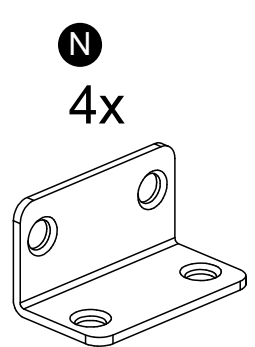
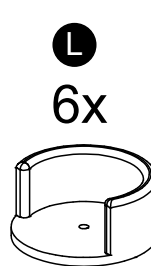
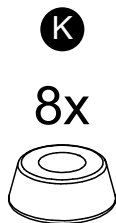
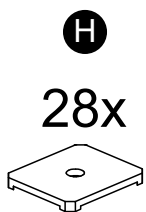
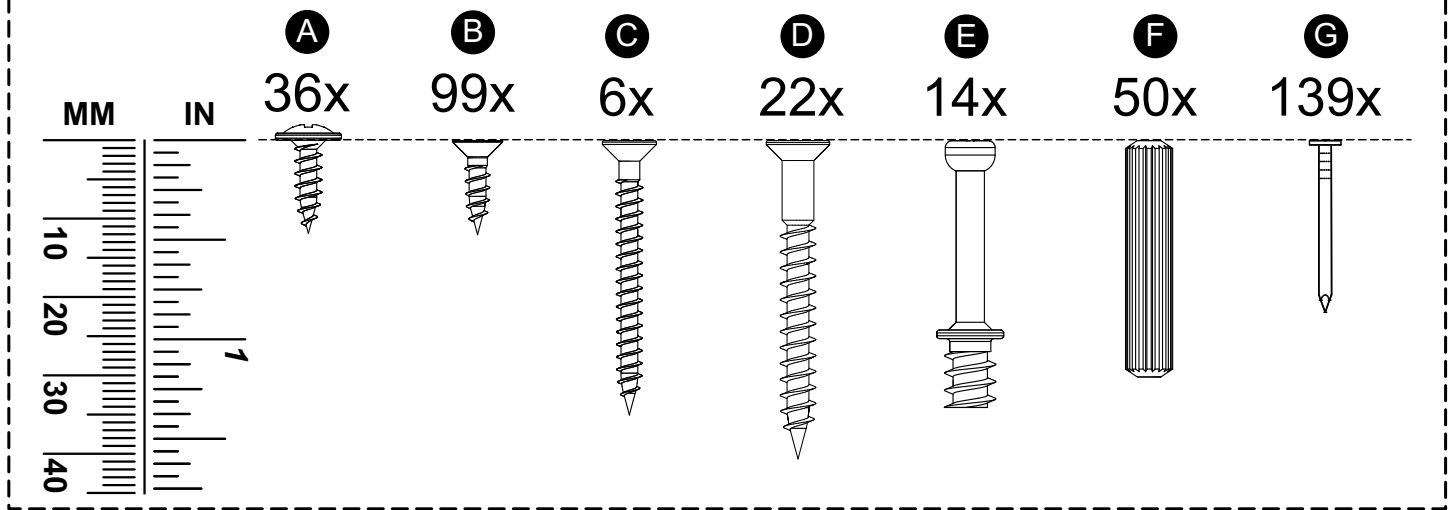
In case of doubt, compare the hardware with the full-size images below.



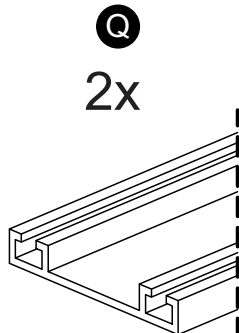
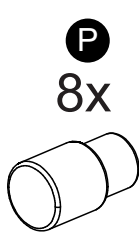
Para visualizar o vídeo explicativo, utilize este QR Code:

Para visualizar el vídeo explicativo, utilice este QR Code:

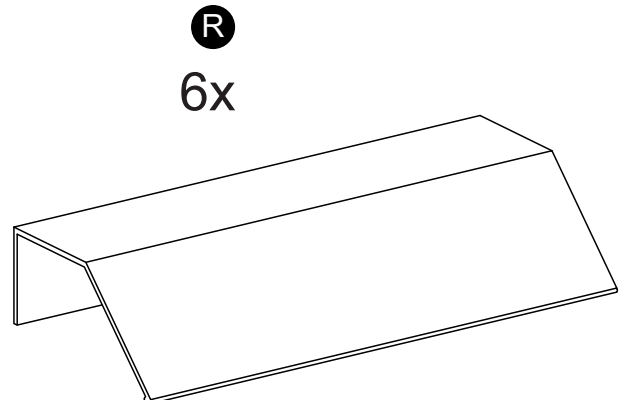
For viewing the explanatory video, use this QR code:



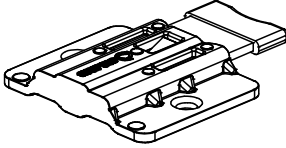
573mm
22.56in



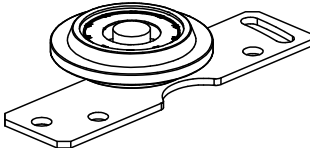
1766mm
69.53in



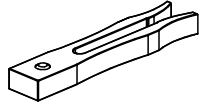
S
6x



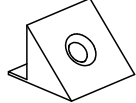
T
6x



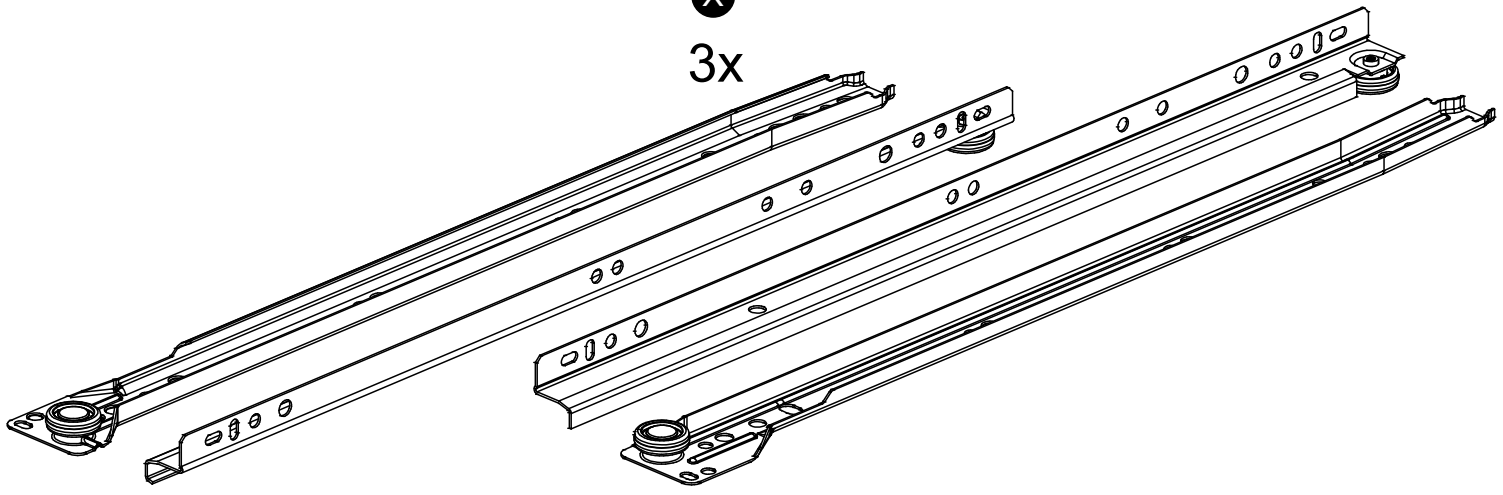
U
6x



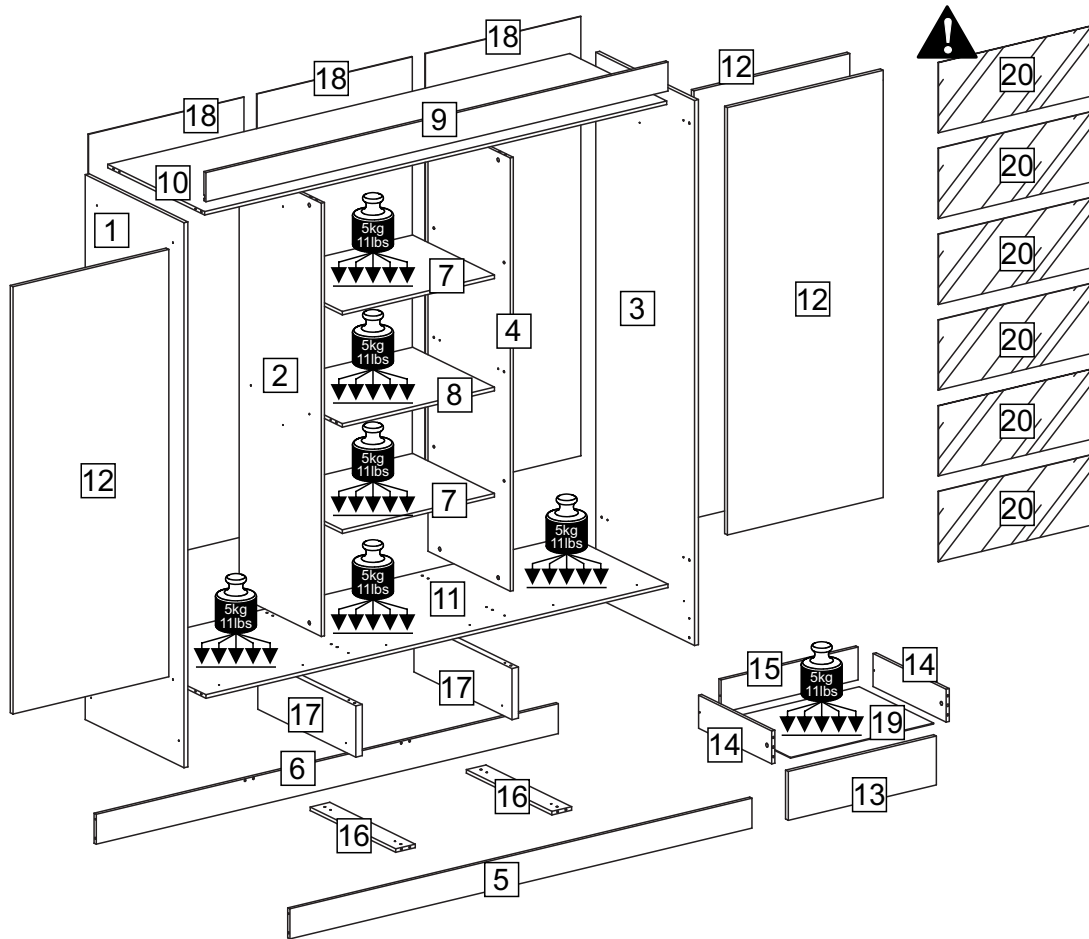
V
3x



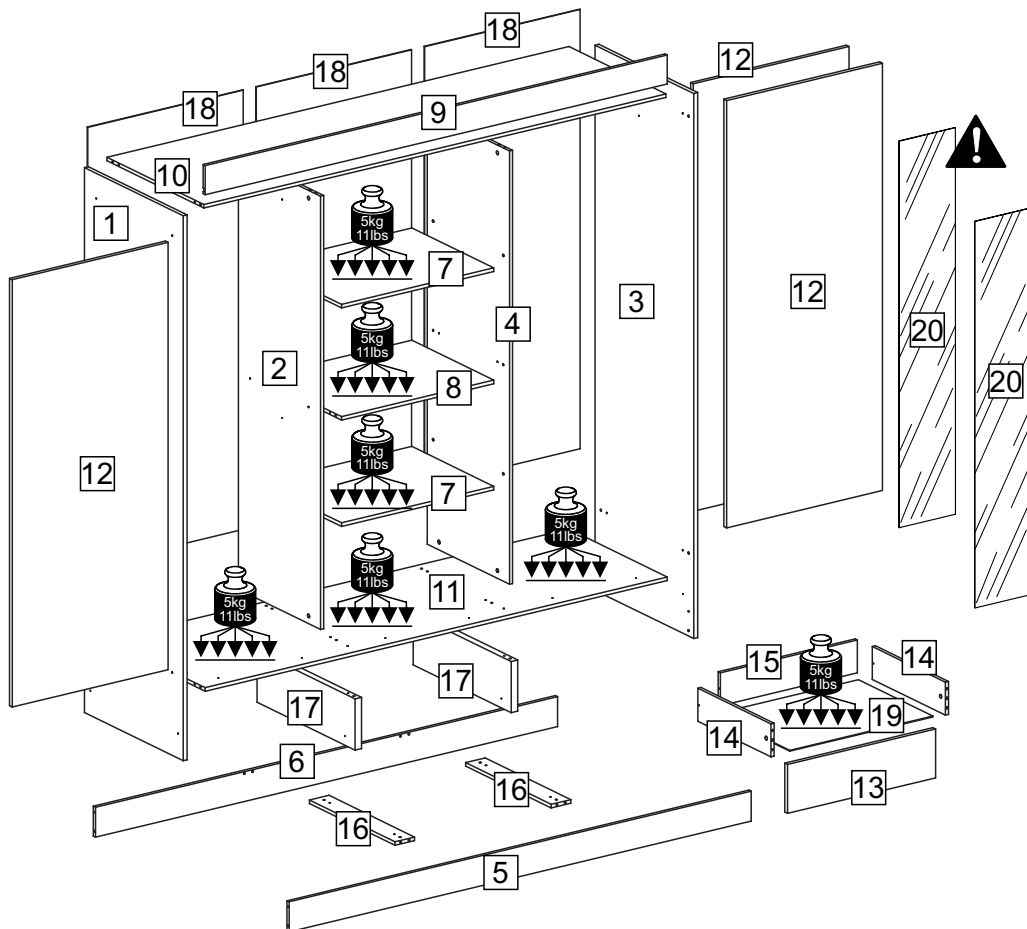
X
3x

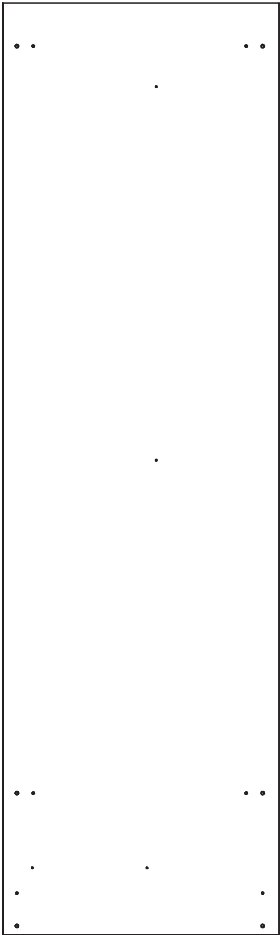


1076

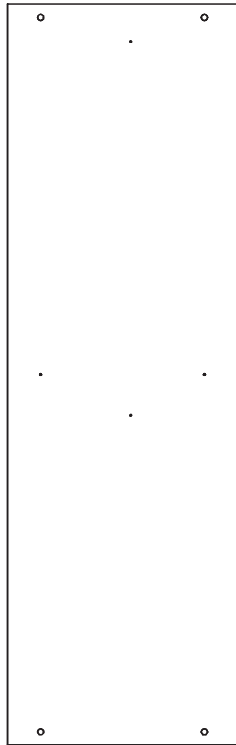


1078

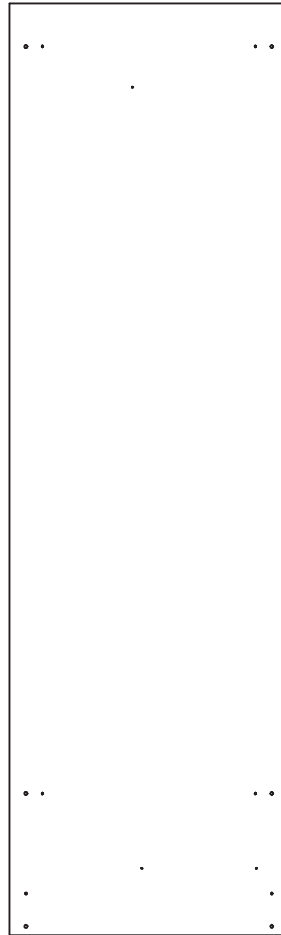




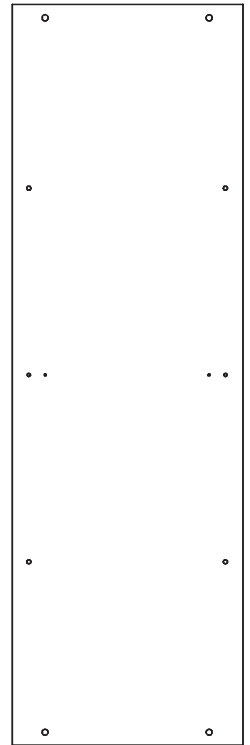
1 (15 x 540 x 1820 mm)
(0,59 x 21,26 x 71,65 in)



2 (12 x 450 x 1447 mm)
(0,47 x 17,72 x 56,97 in)



3 (15 x 540 x 1820 mm)
(0,59 x 21,26 x 71,65 in)



4 (12 x 450 x 1447 mm)
(0,47 x 17,72 x 56,97 in)



5 (12 x 100 x 1770 mm)
(0,47 x 3,94 x 69,69 in)



6 (12 x 100 x 1770 mm)
(0,47 x 3,94 x 69,69 in)



9 (12 x 97 x 1770 mm)
(0,47 x 3,82 x 69,69 in)



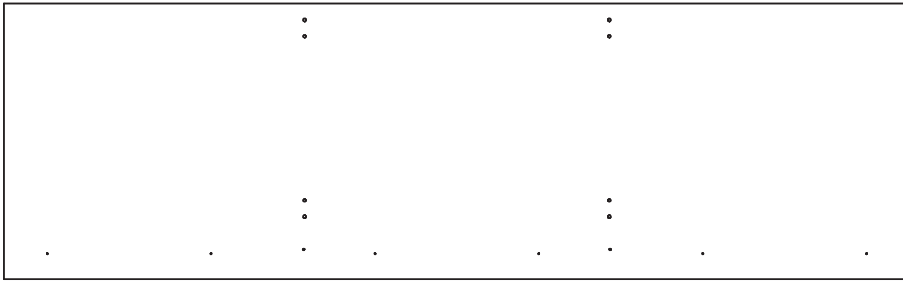
10 (12 x 530 x 1770 mm)
(0,47 x 20,87 x 69,69 in)



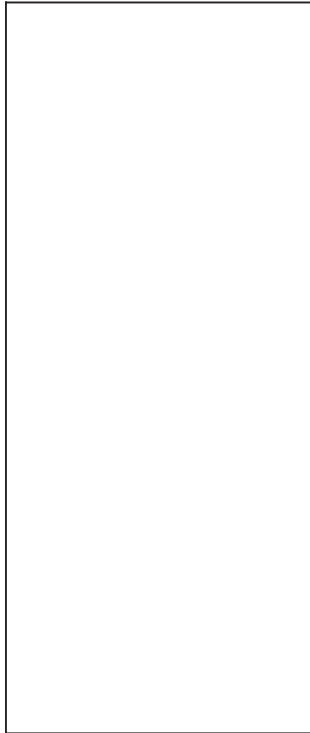
7 (12 x 448 x 582mm) - 2x
(0,47 x 17,64 x 22,91 in)



8 (12 x 448 x 582mm)
(0,47 x 17,64 x 22,91 in)



11 (12 x 538 x 1770 mm)
(0,47 x 21,18 x 69,69 in)



12 (15 x 597 x 1427 mm) - 3x
(0,59 x 23,5 x 56,18 in)



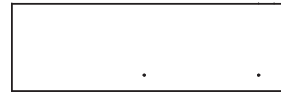
13 (15 x 163 x 567 mm) - 3x
(0,59 x 6,42 x 22,32 in)



16 (12 x 75 x 468 mm)-2x
(0,47 x 2,95 x 18,43 in)



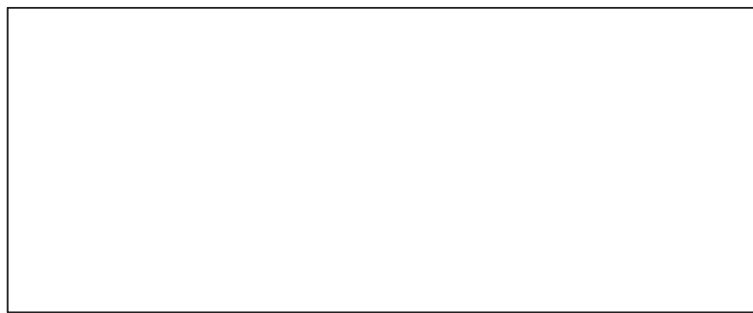
14 (12 x 110 x 400 mm) - 6x
(0,47 x 4,33 x 15,75 in)



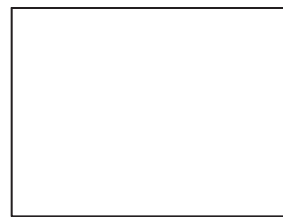
17 (25 x 171 x 536 mm)-2x
(0,98 x 6,73 x 21,1 in)



15 (12 x 110 x 524 mm)-3x
(0,47 x 4,33 x 20,63 in)

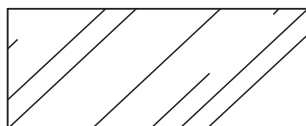


18 (3 x 595 x 1467 mm) - 3 x
(0,12 x 23,43 x 57,76 in)



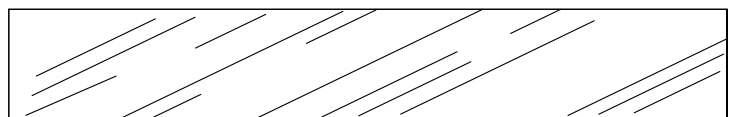
19 (3 x 548 x 407 mm)-3x
(0,12 x 21,57 x 16,02 in)

▲ 1076

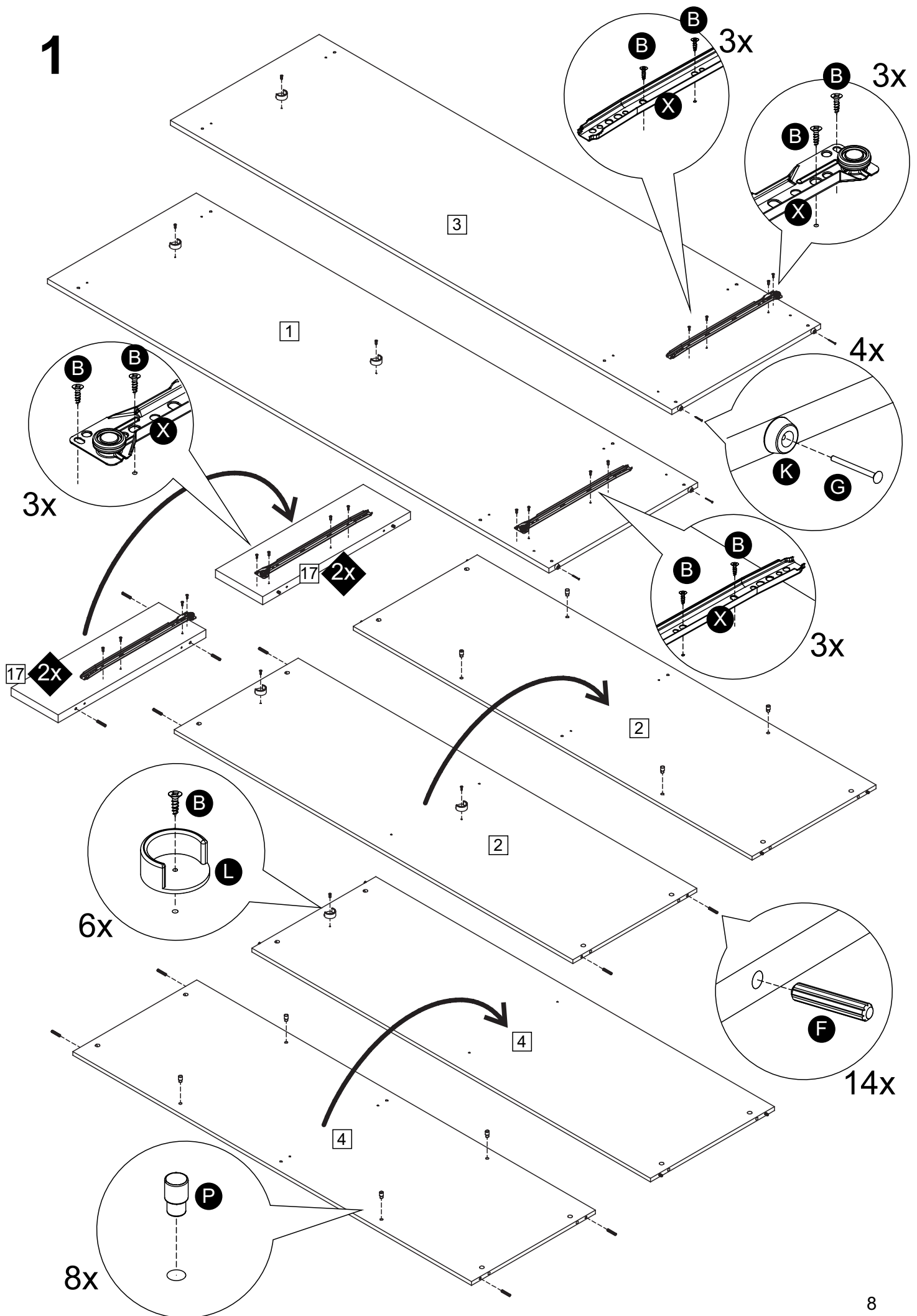


20 (2 x 234 x 585 mm)
(0,08 x 9,21 x 23,03 in)
1076: 0x
1076-1E: 6x
1078: 0x

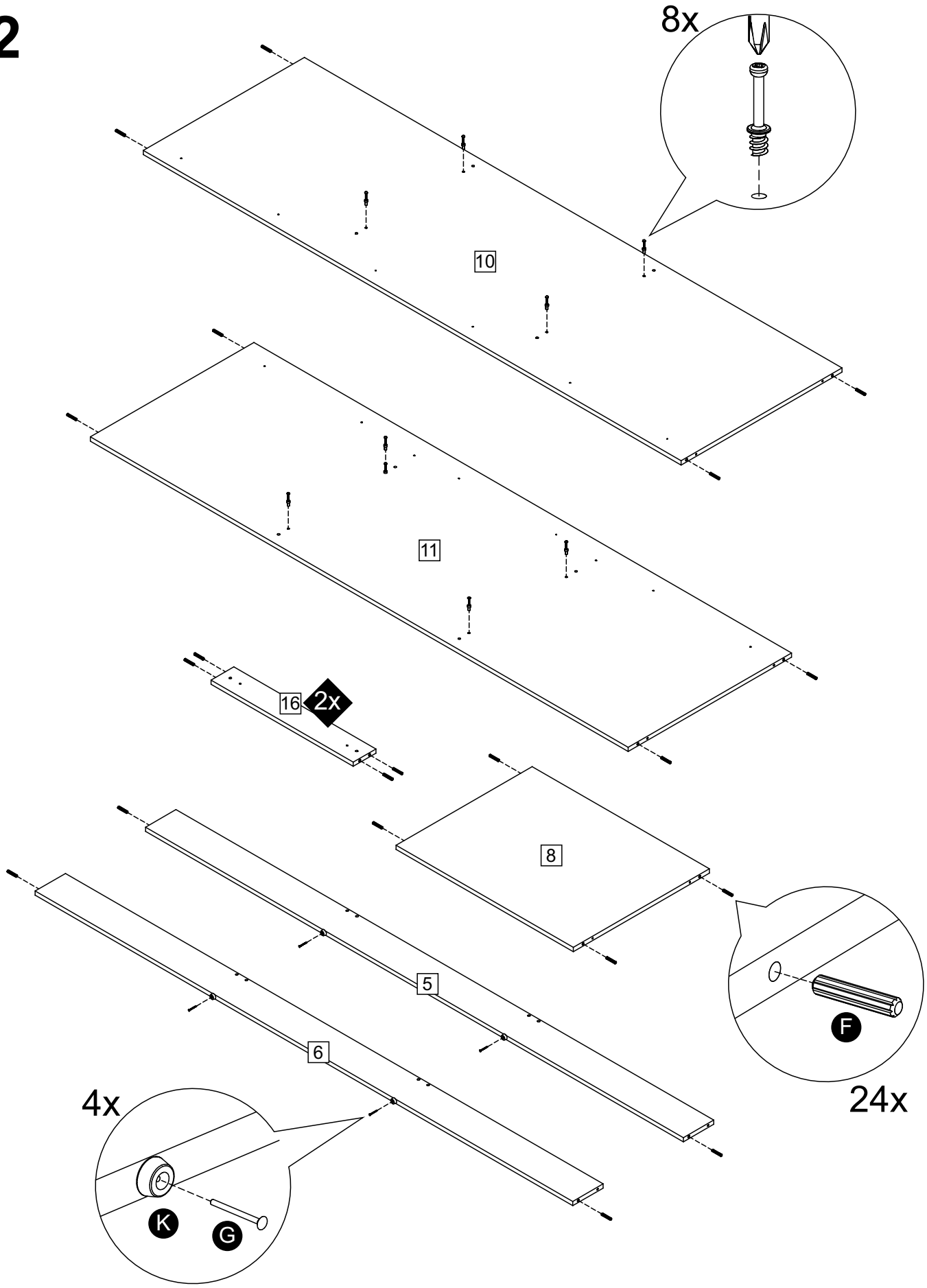
▲ 1078



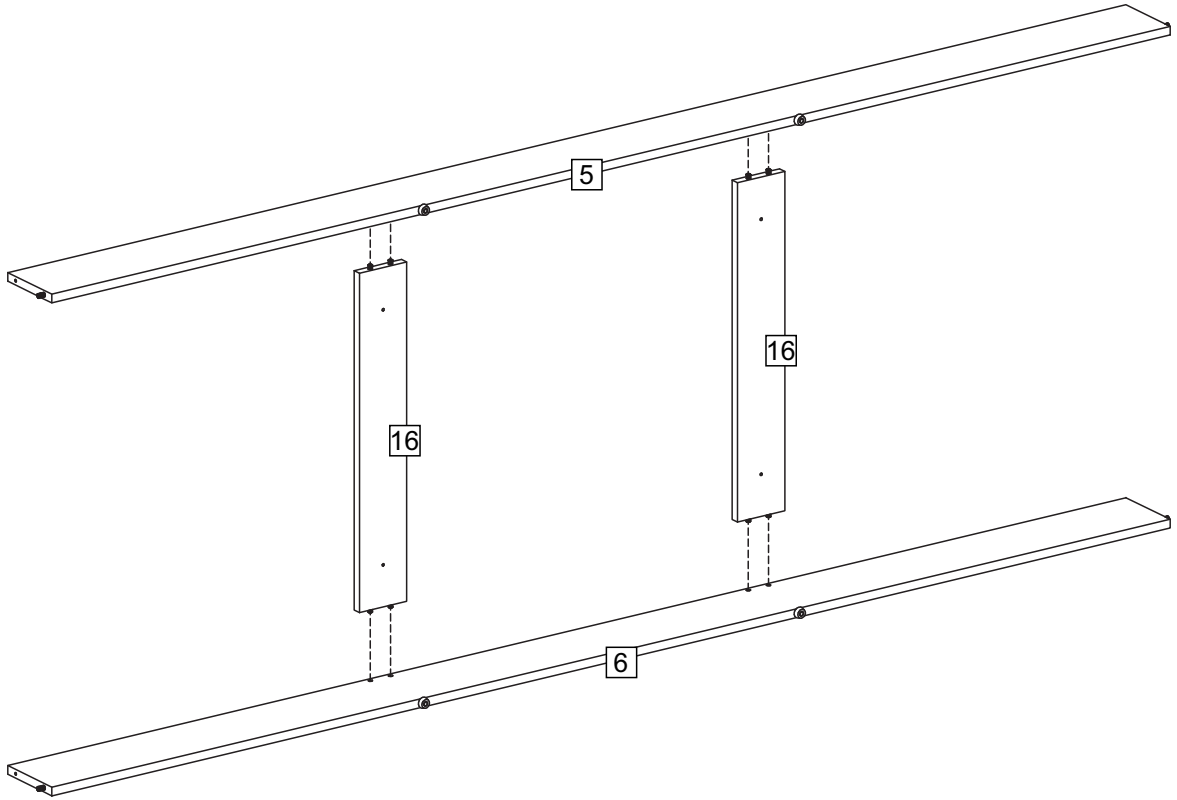
20 (3 x 200 x 1300 mm)
(0,12 x 7,87 x 51,18 in)
1076: 0x
1076-1E: 0x
1078: 2x



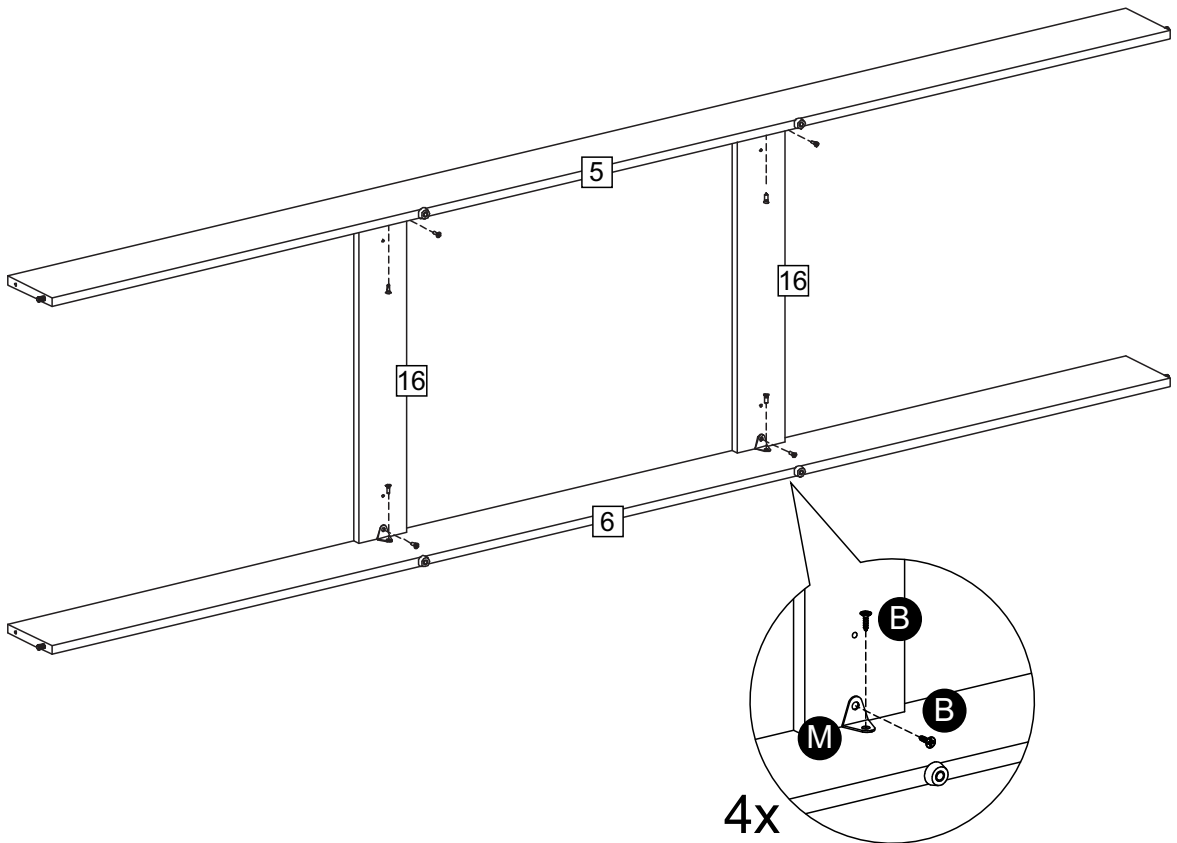
2

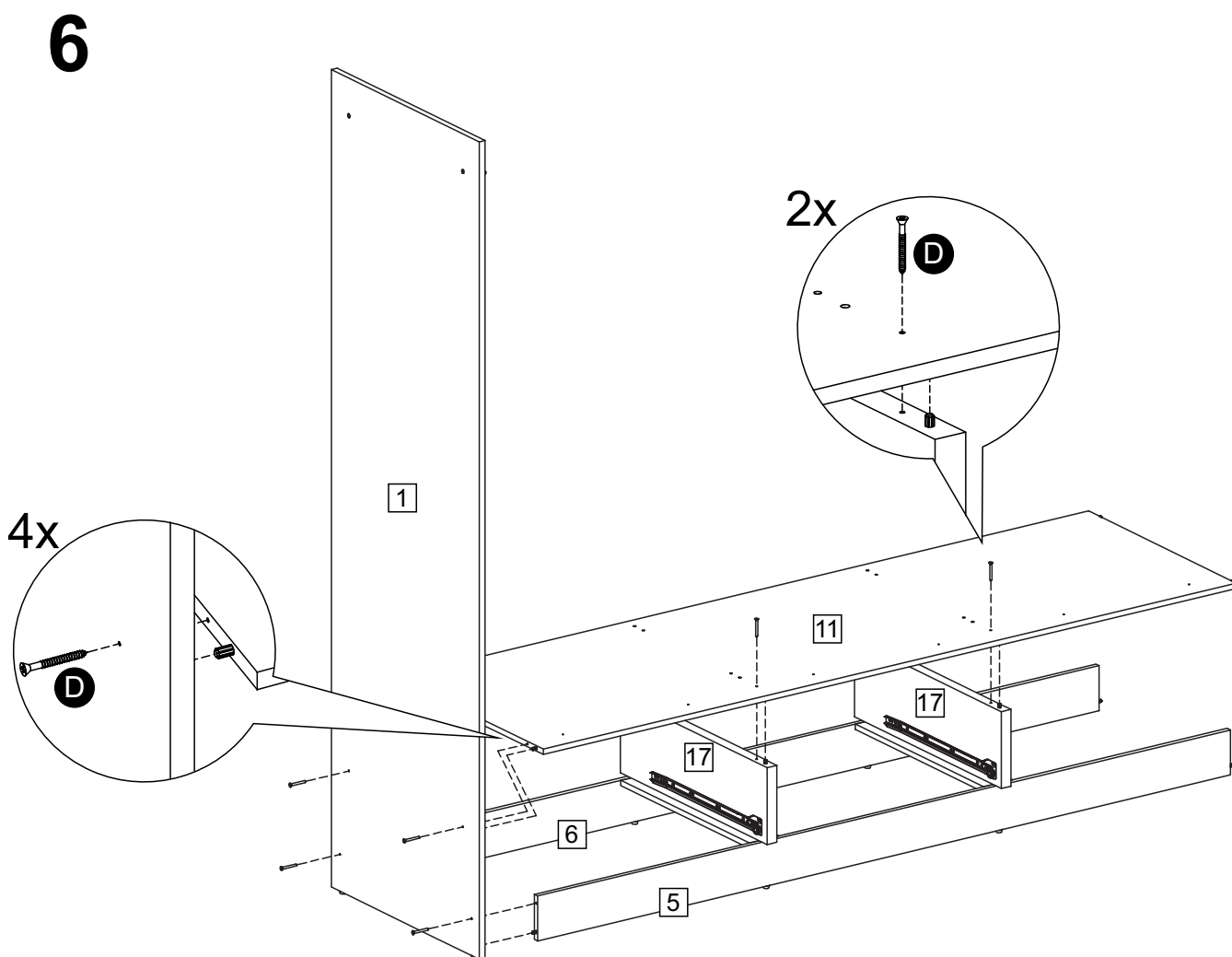
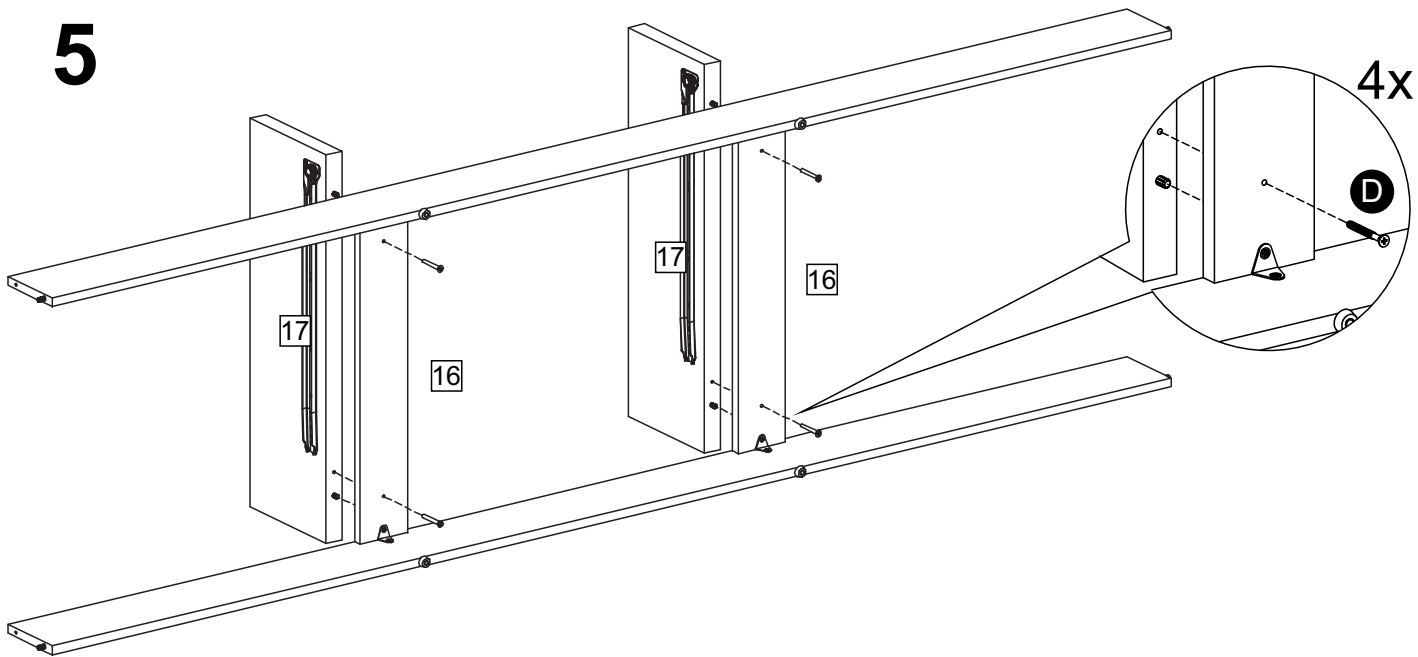


3

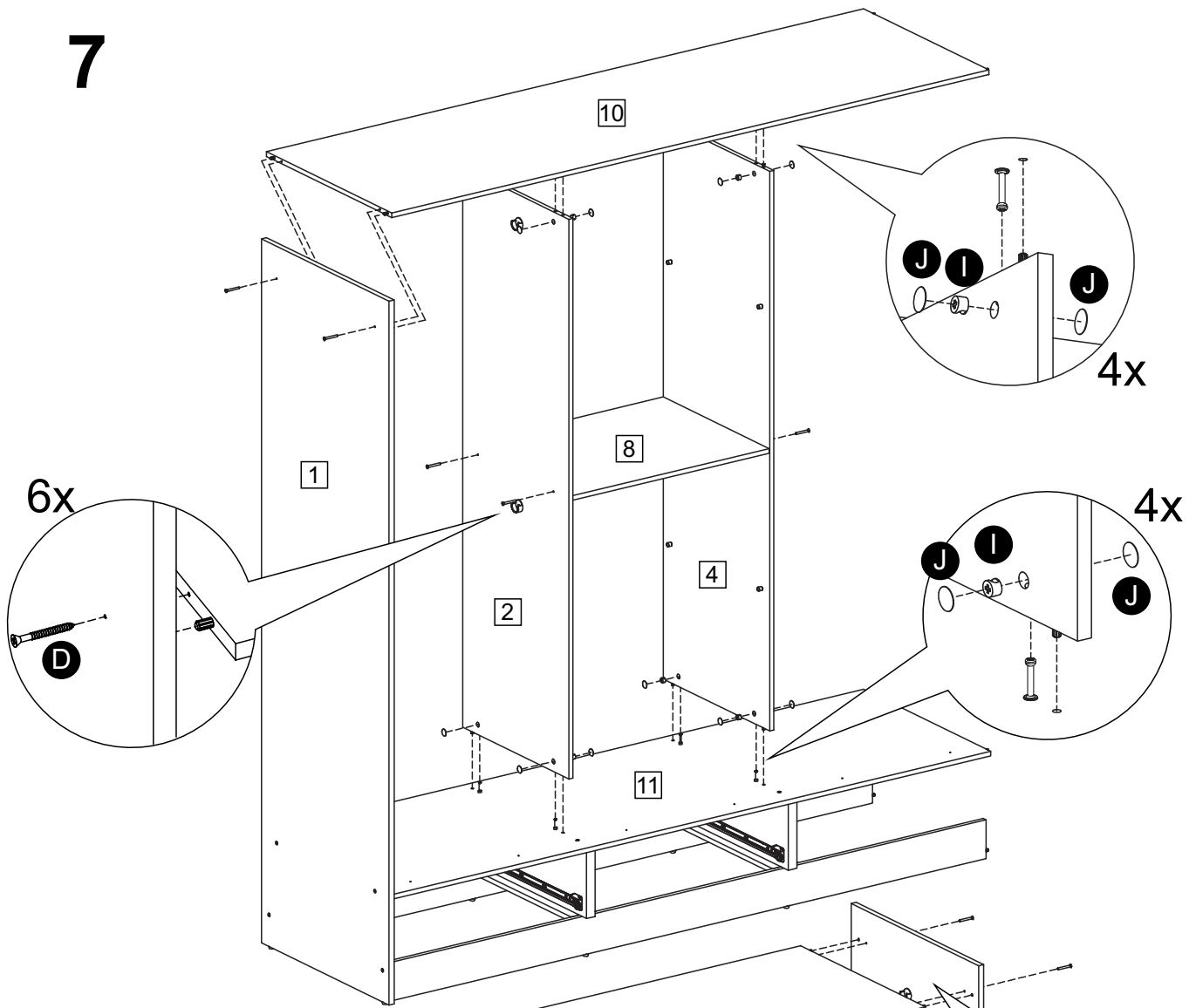


4

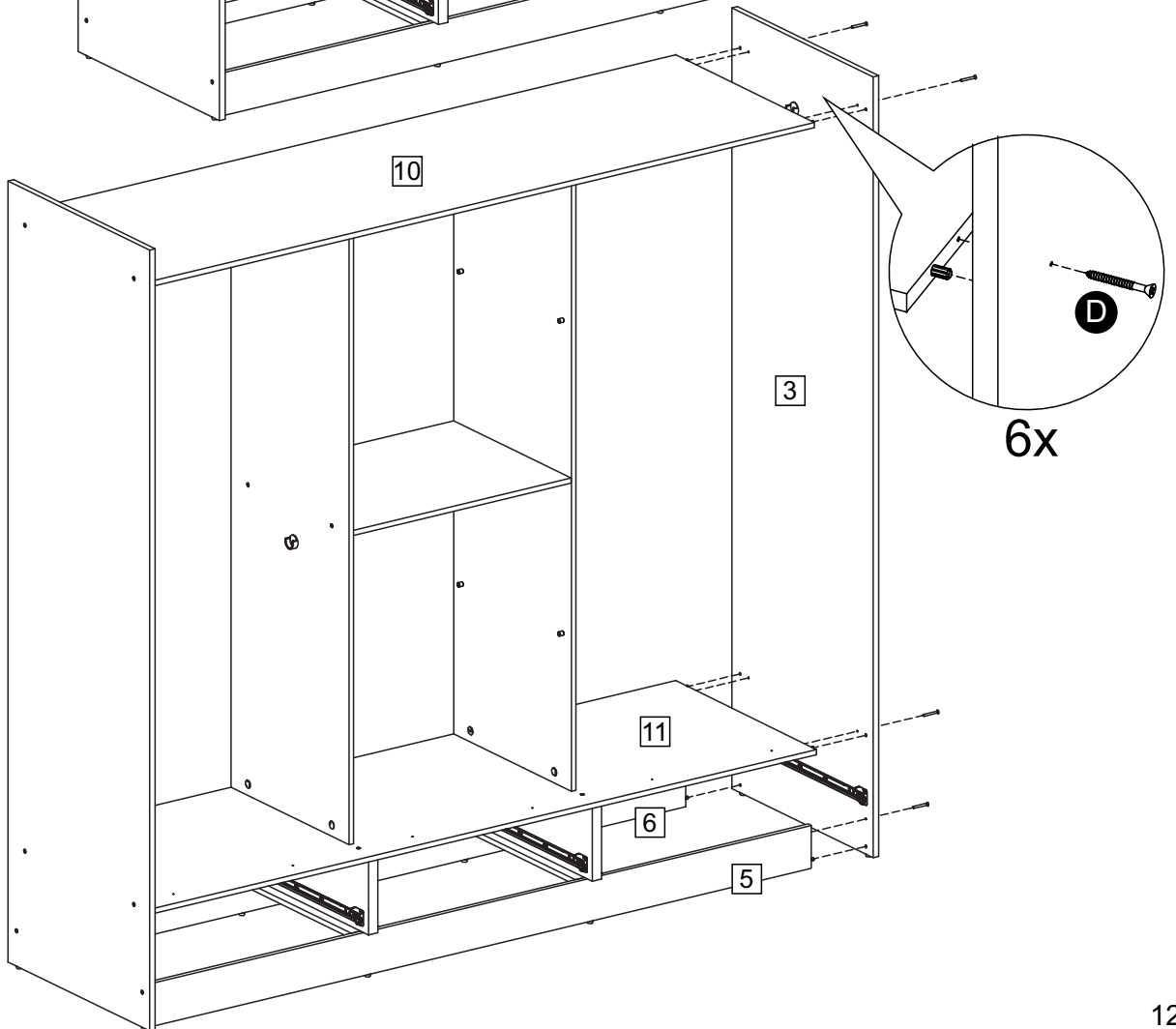




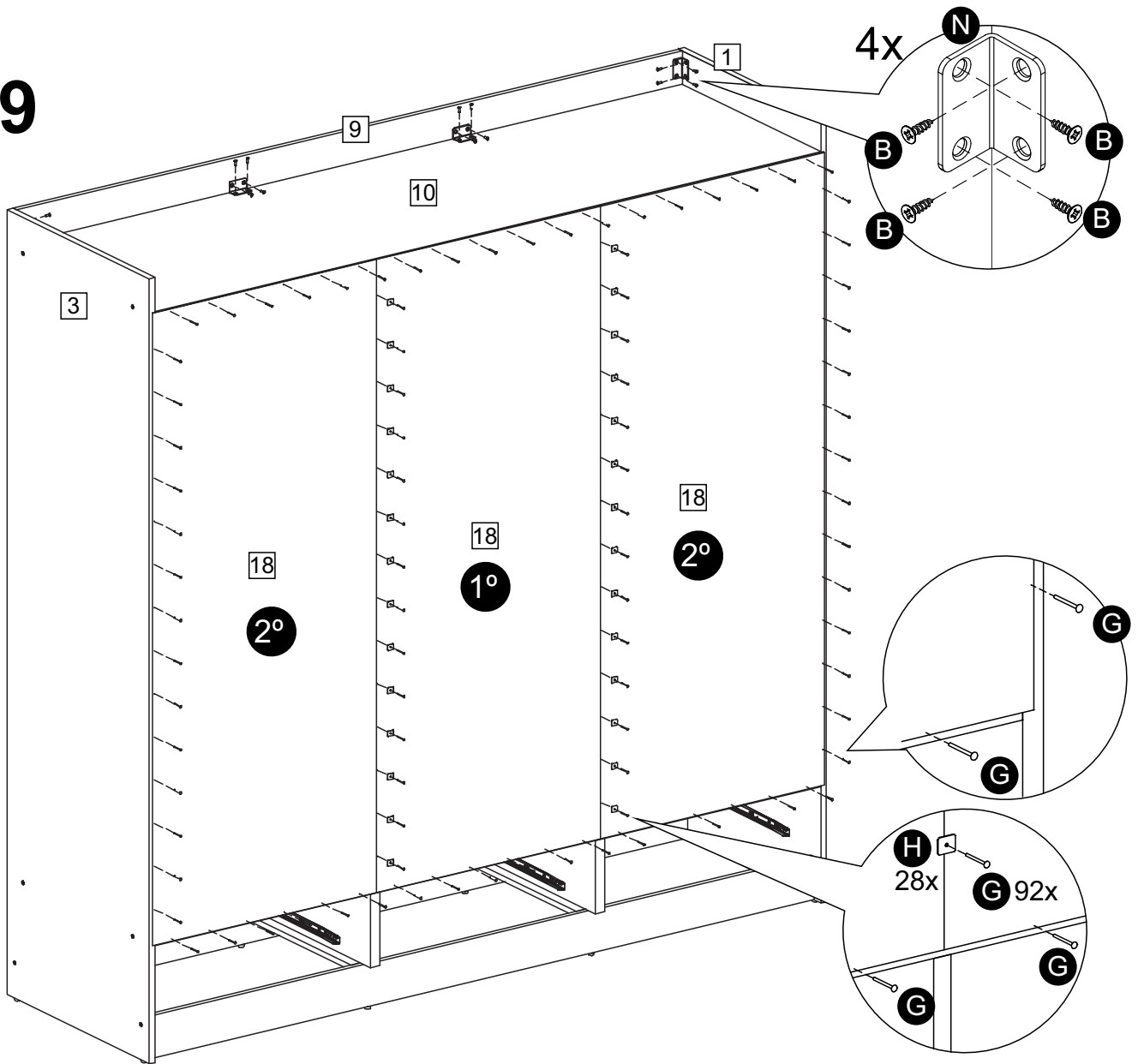
7



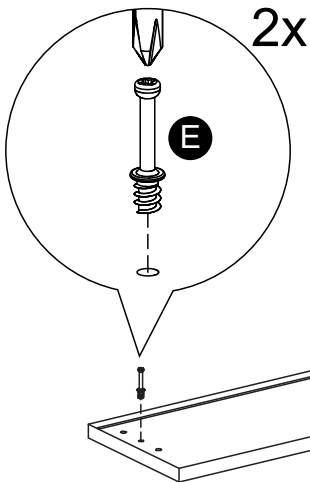
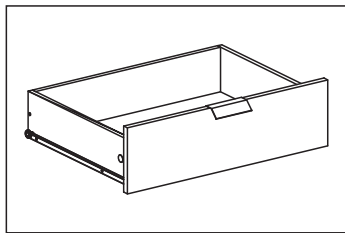
8



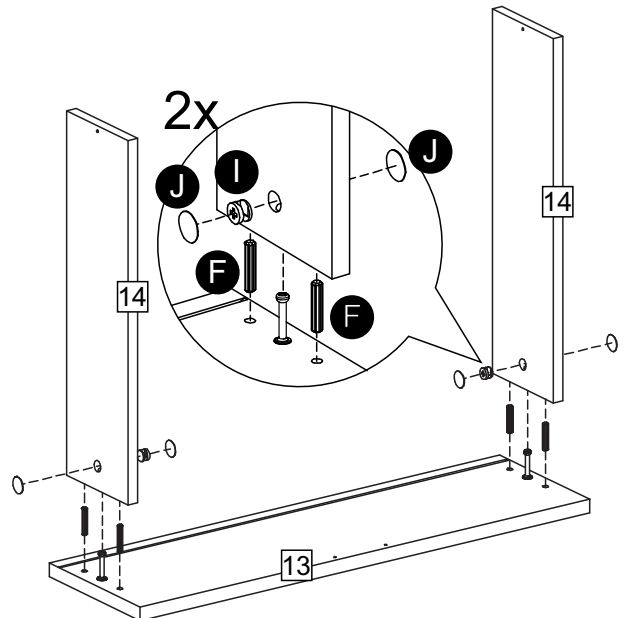
9



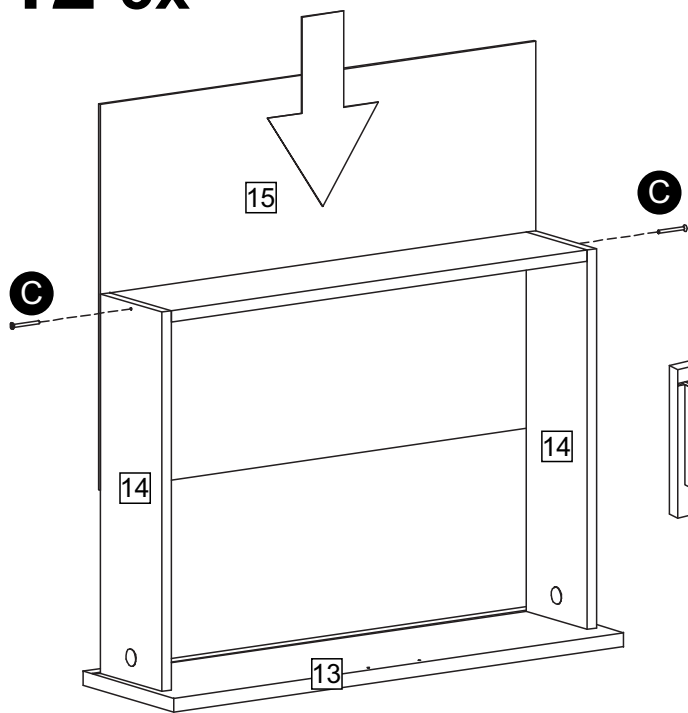
10-3x



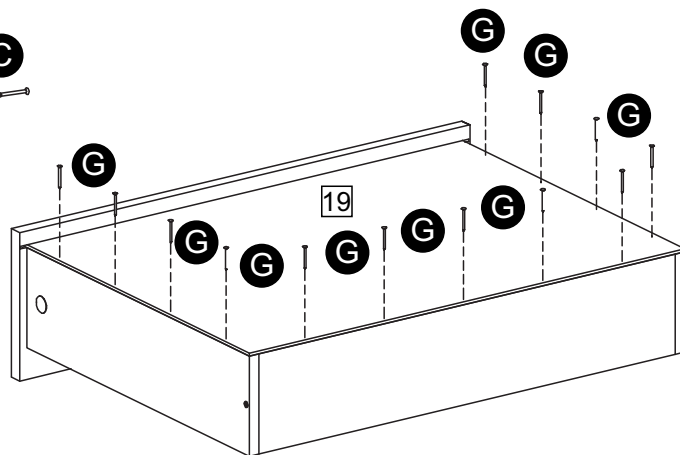
11-3x



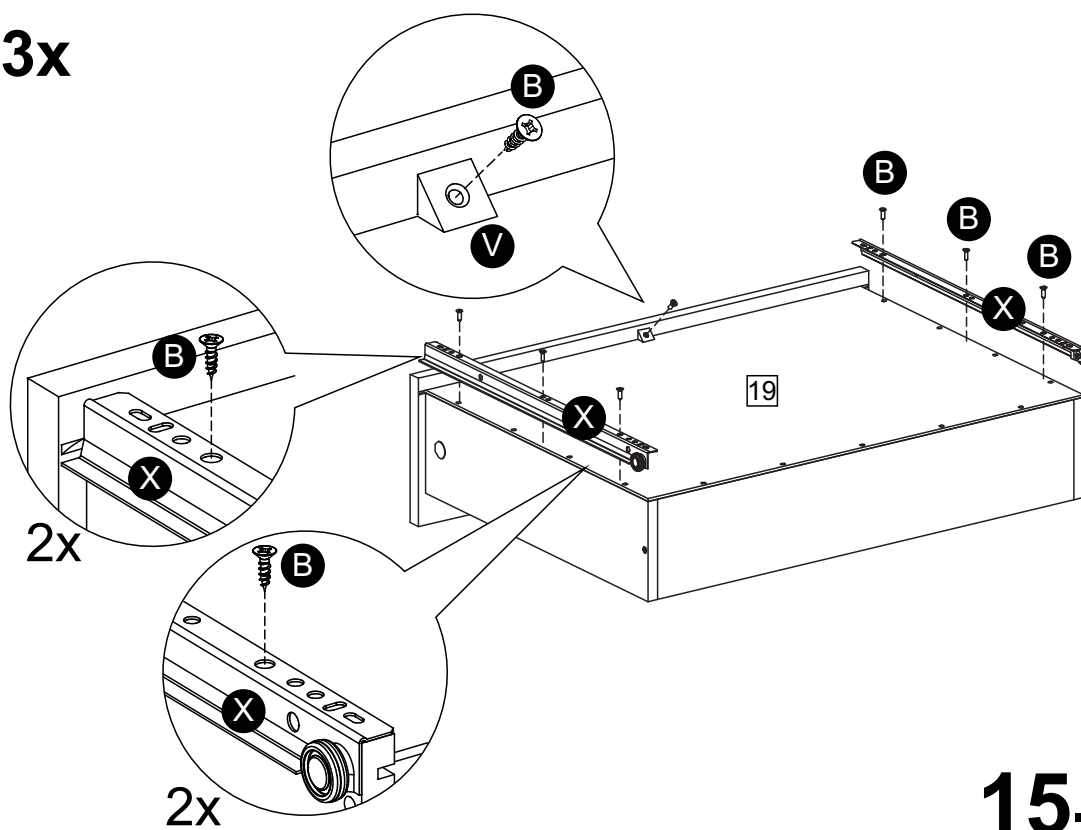
12-3x



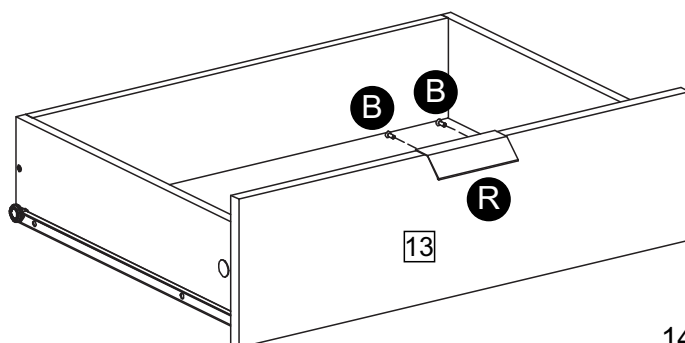
13-3x



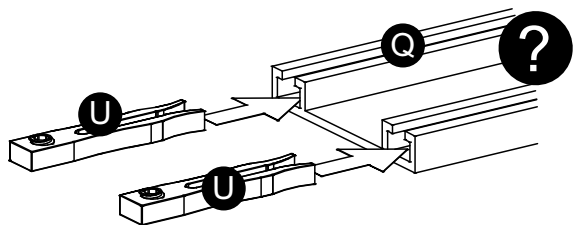
14-3x



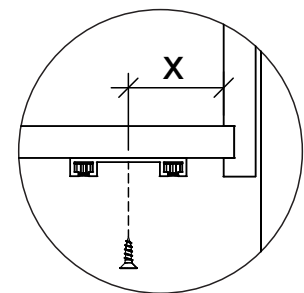
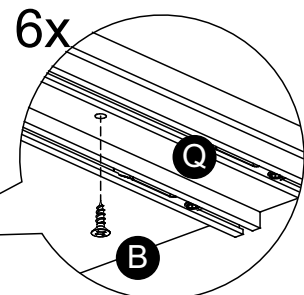
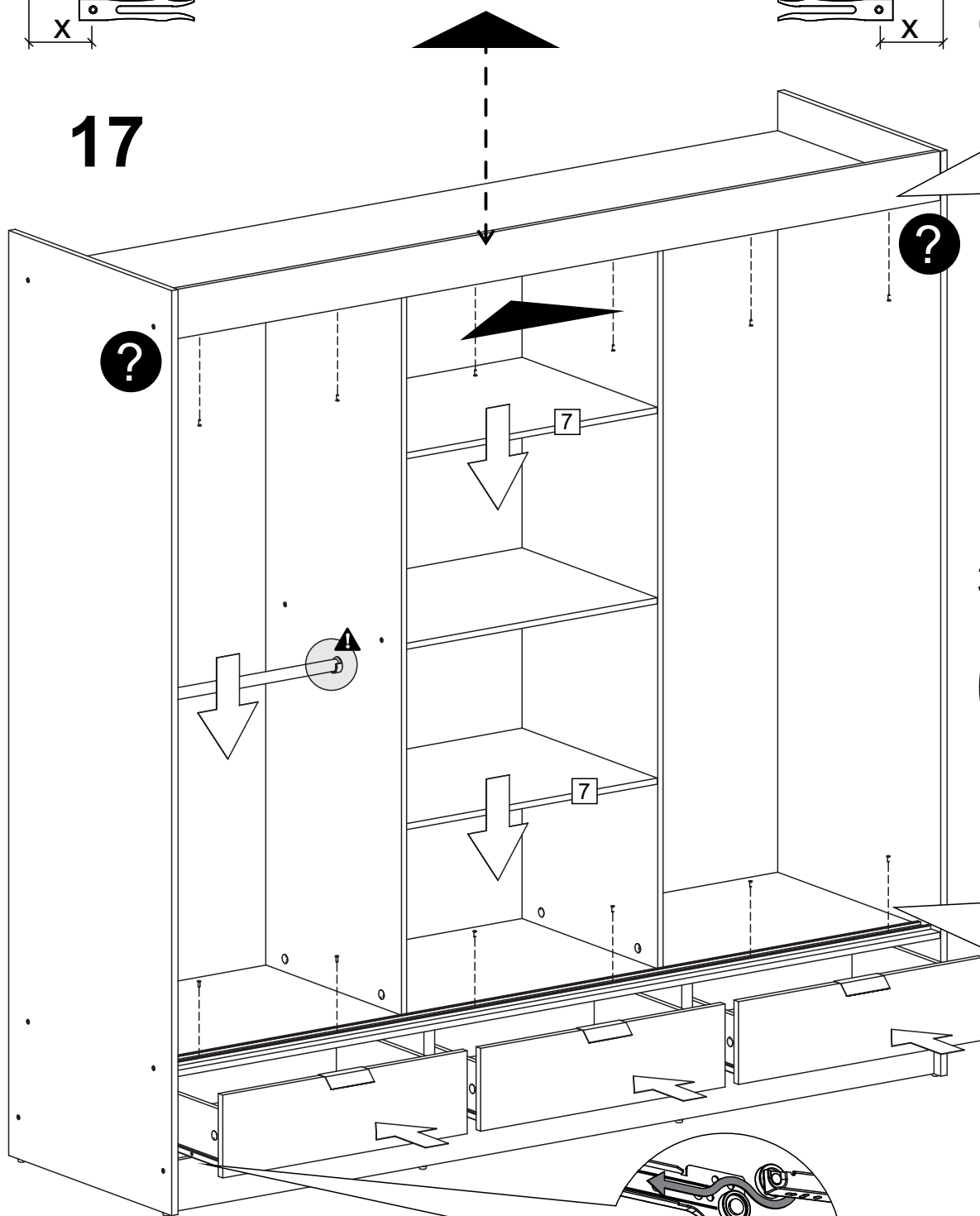
15-3x



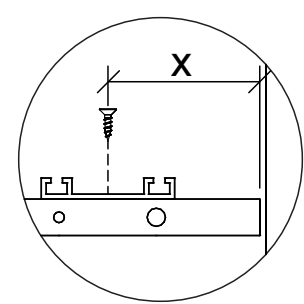
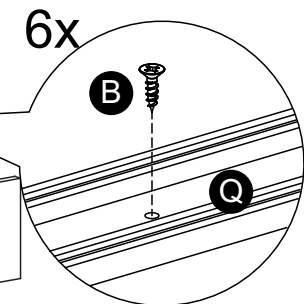
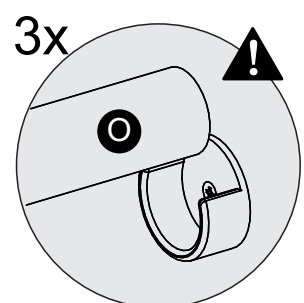
16-2x



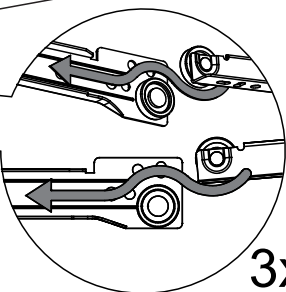
17



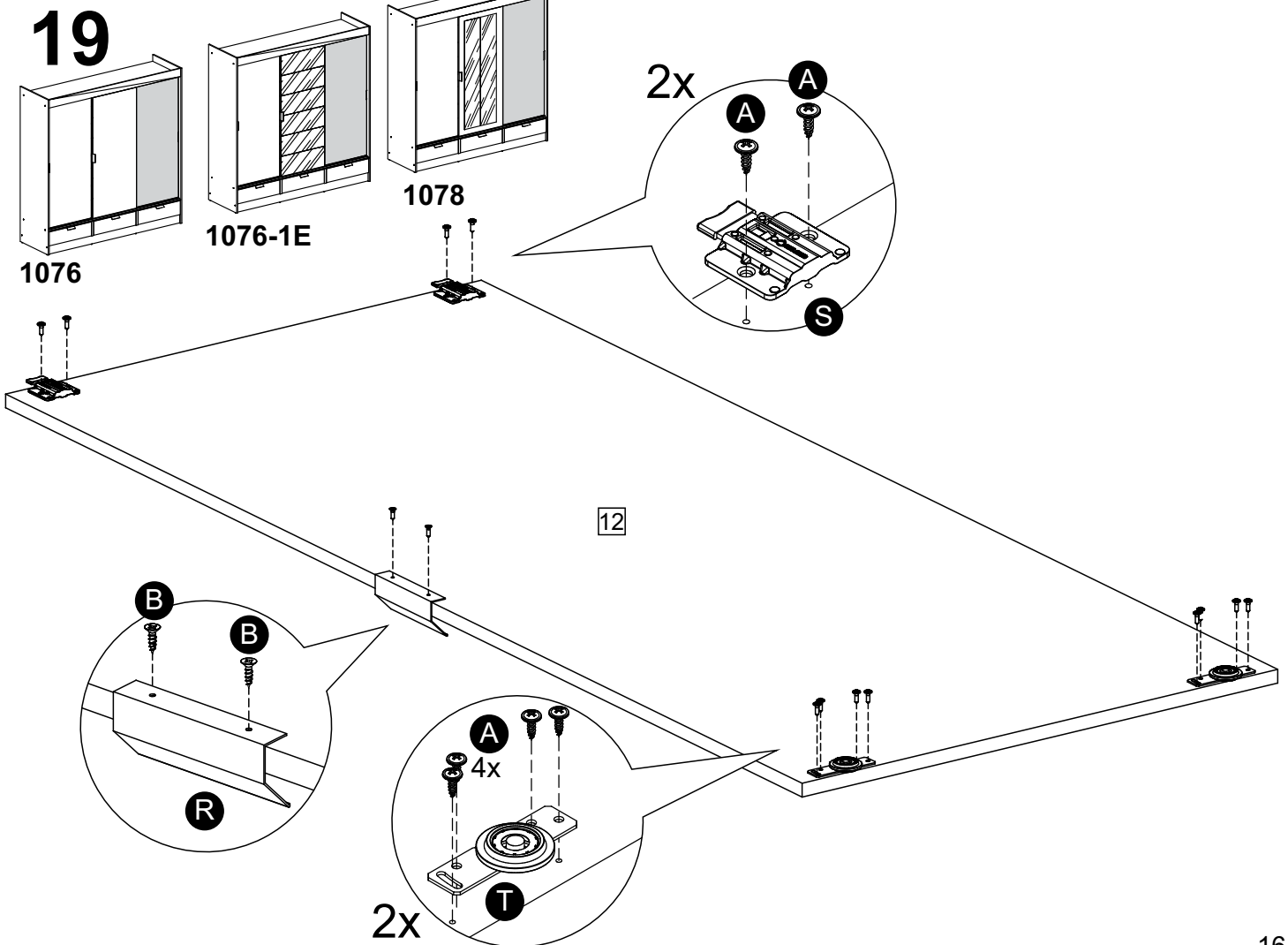
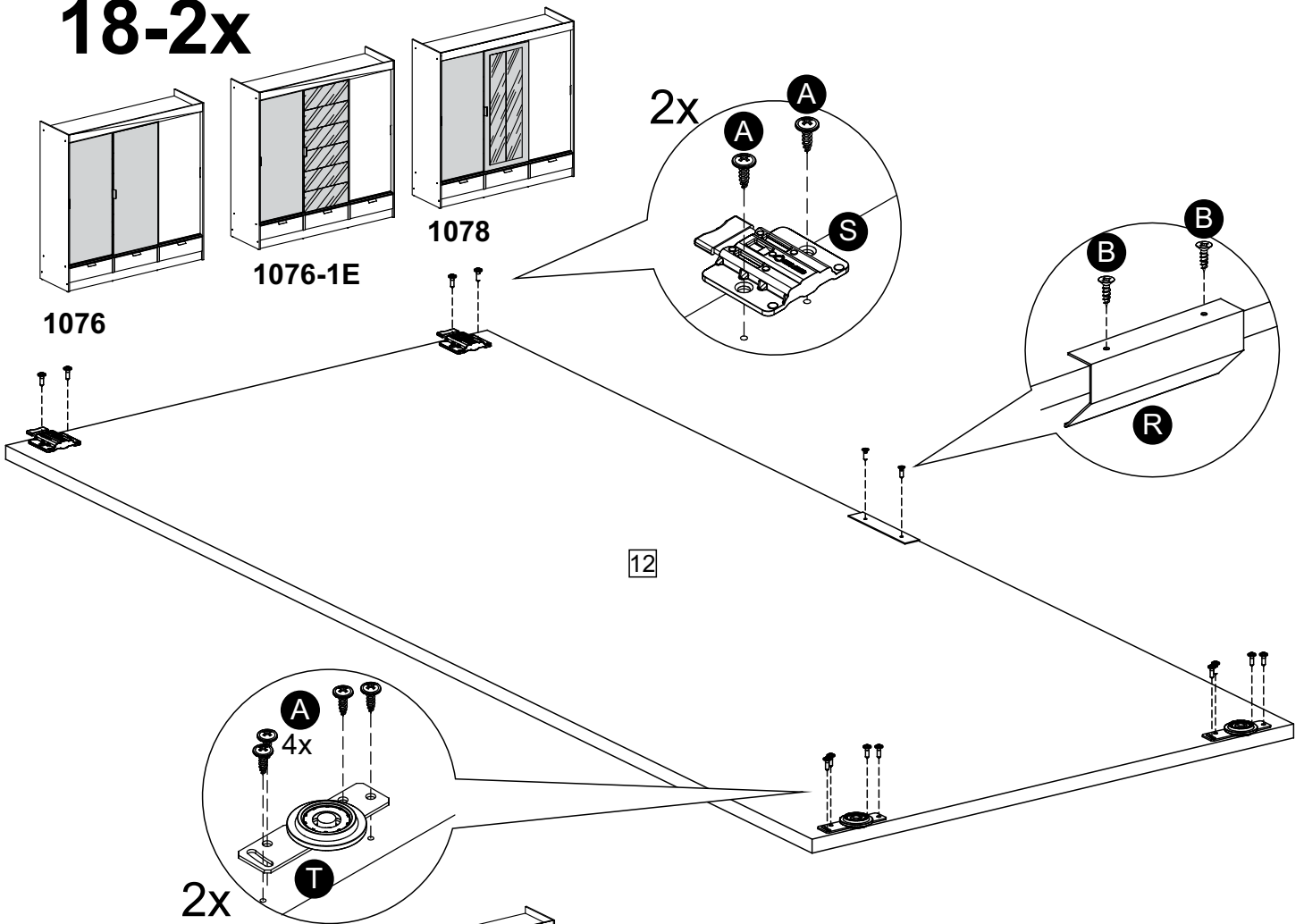
x = 36mm/1,42in



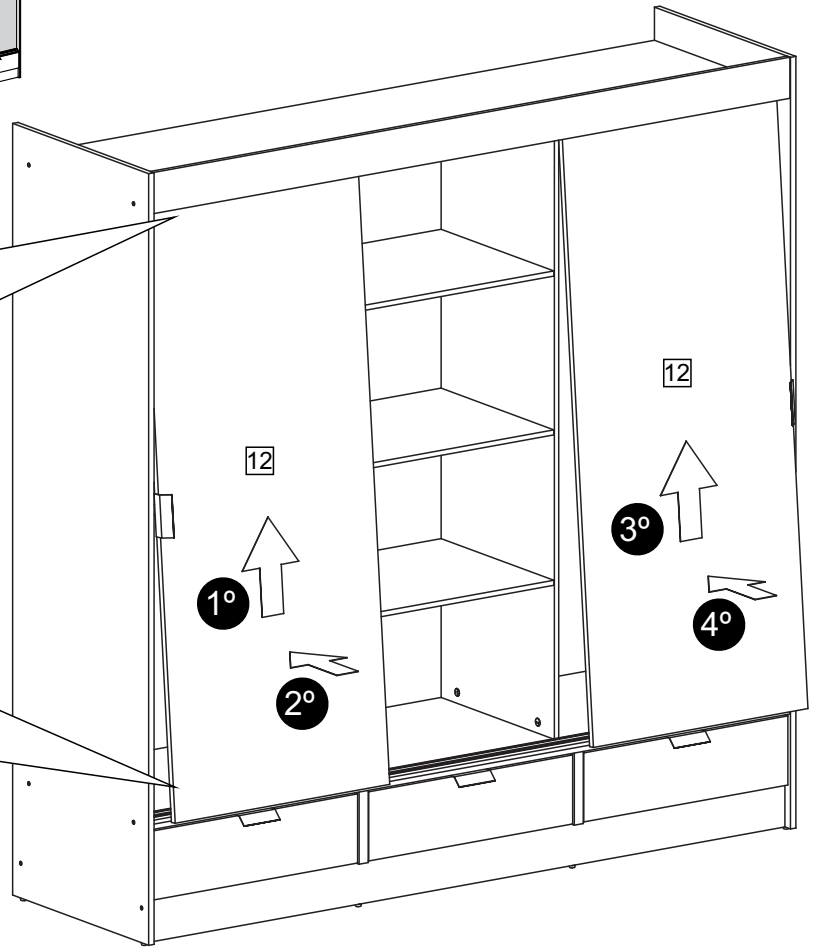
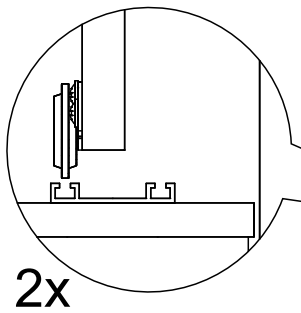
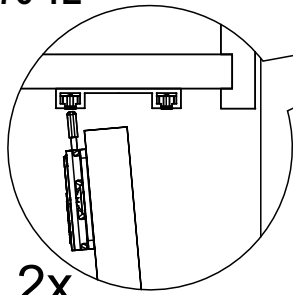
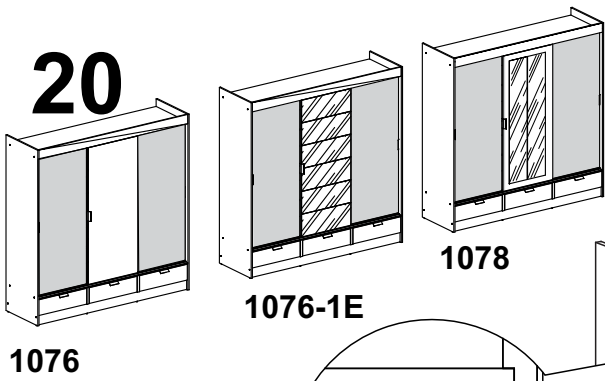
x = 50mm/1,97in



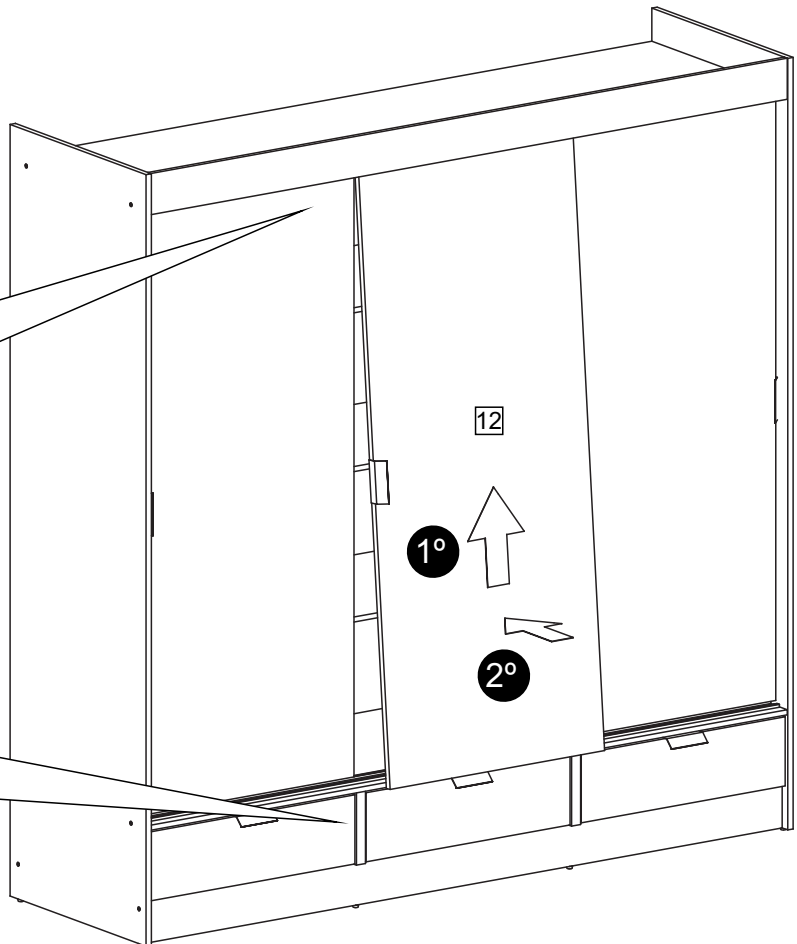
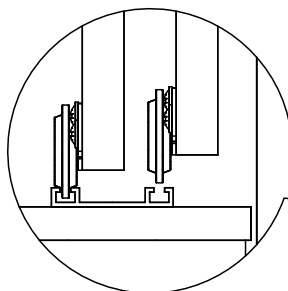
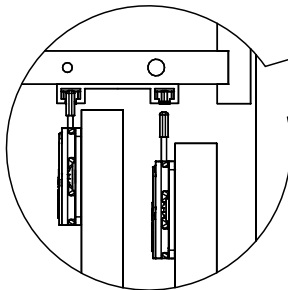
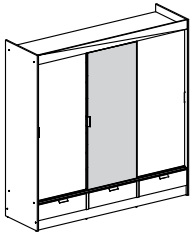
18-2x



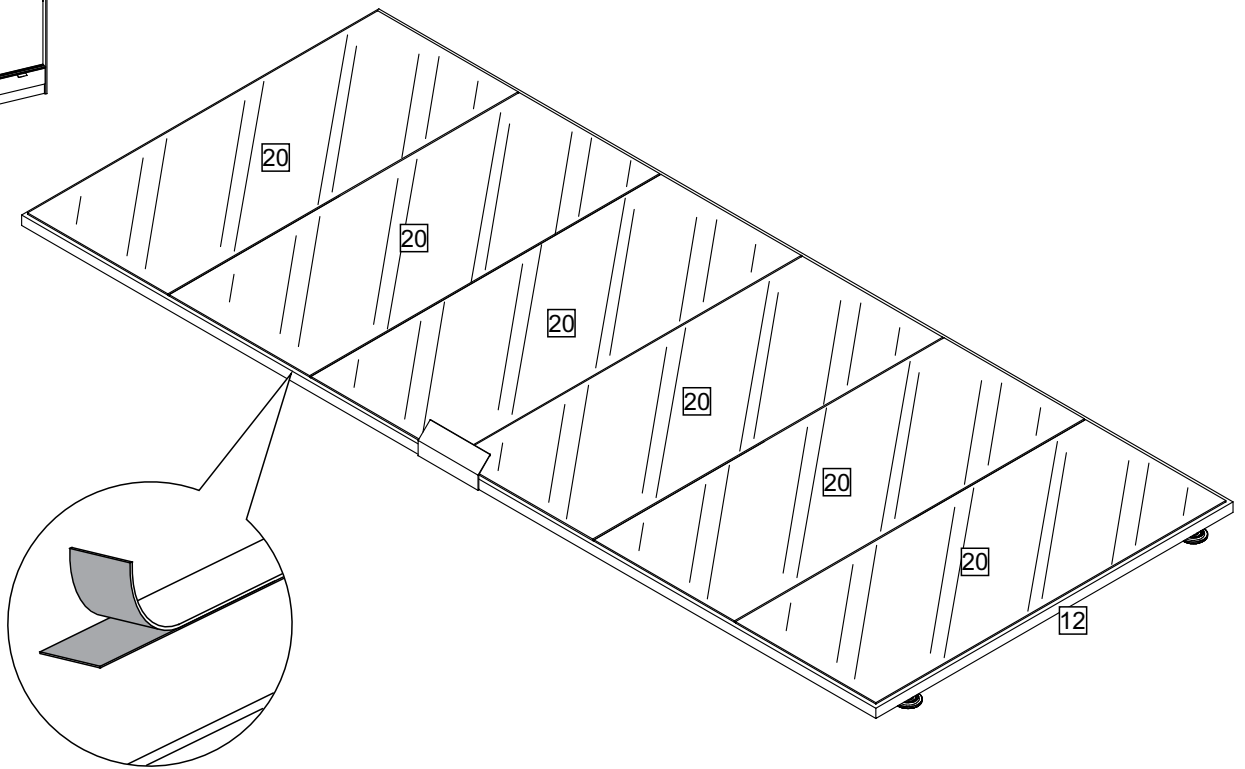
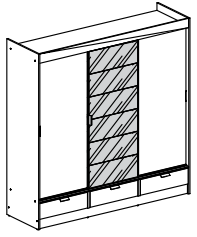
20



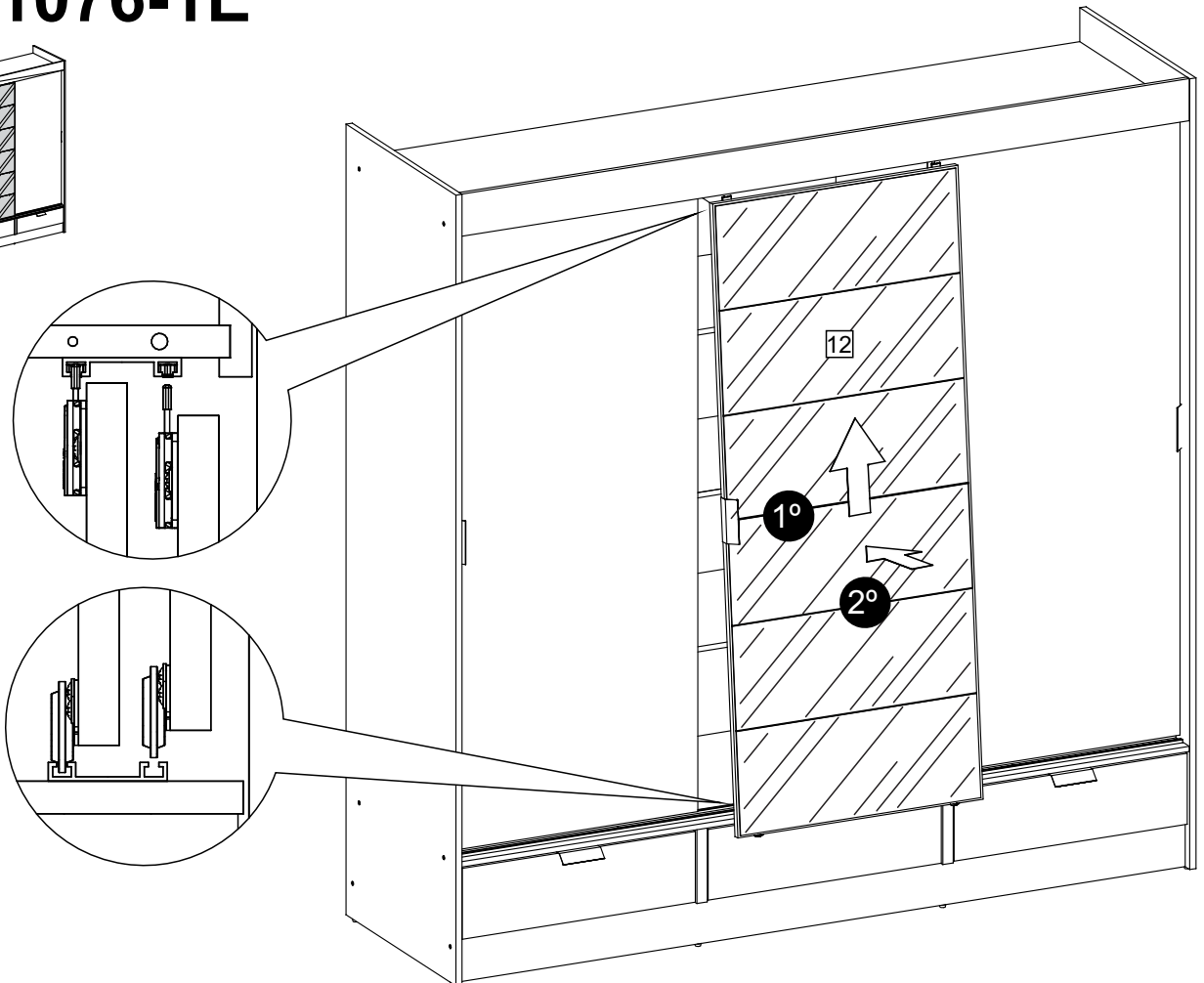
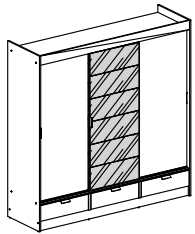
21:1076



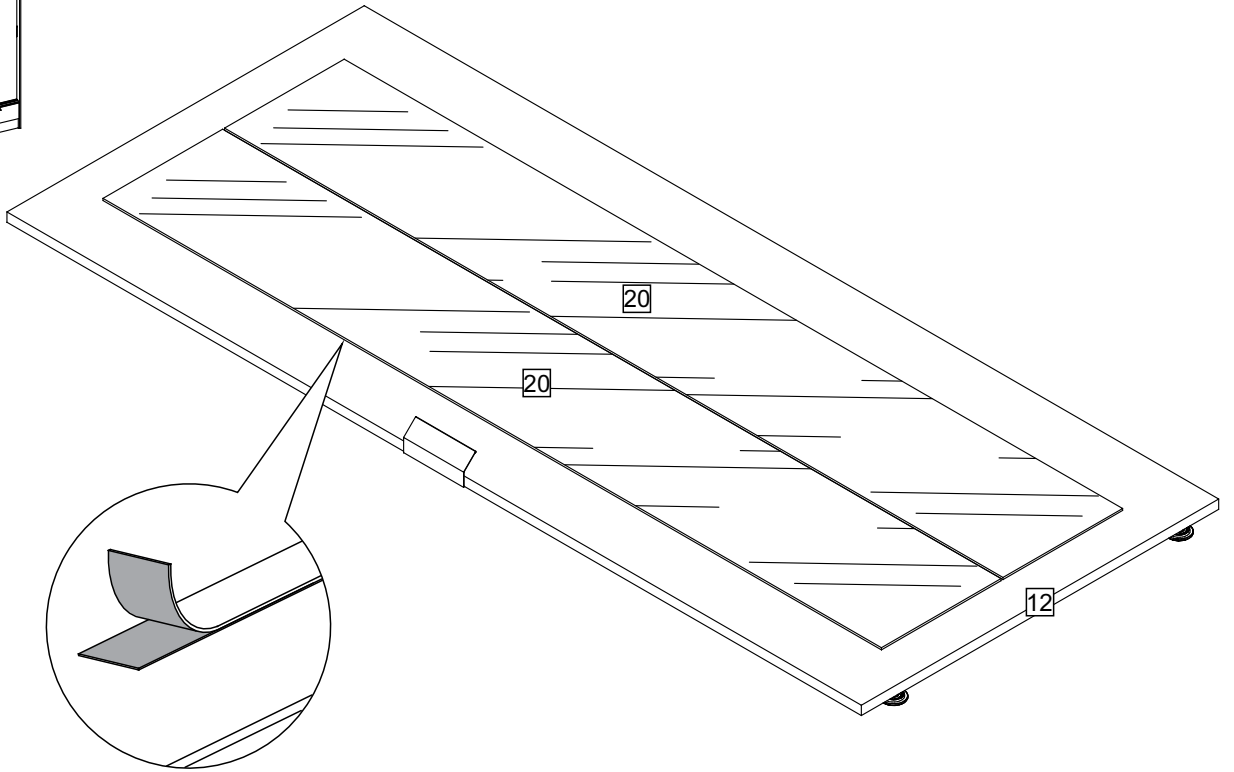
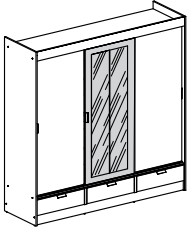
21:1076-1E



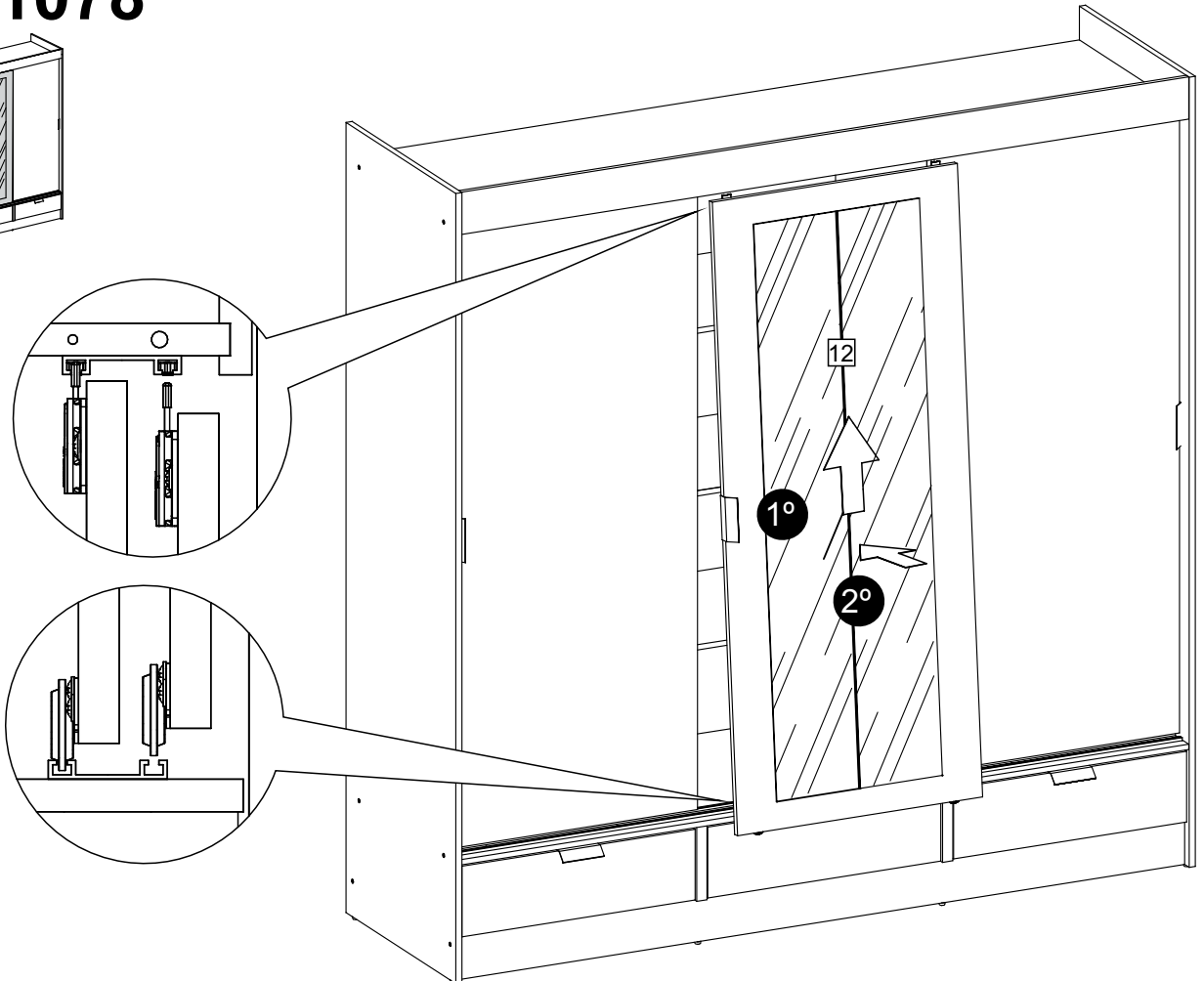
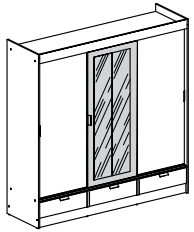
22:1076-1E



21:1078



22:1078



IT	DESCRIÇÃO	ESP	LARG	COMP	QTD	10765Z	10765Z1E	10785Z1E	10769T	10769T1E
1	LATERAL ESQUERDA	15	540	1820	1	203410765Z10	203410765Z10	203410765Z10	203410769T10	203410769T10
2	DIVISORIA SUPERIOR ESQUERDA	12	450	1447	1	203410760905	203410760905	203410760905	203410760905	203410760905
3	LATERAL DIREITA	15	540	1820	1	203410765Z09	203410765Z09	203410765Z09	203410769T09	203410769T09
4	DIVISÓRIA SUPERIOR DIREITA	12	450	1447	1	203410760904	203410760904	203410760904	203410760904	203410760904
5	RODAPÉ FRONTAL	12	100	1770	1	203410765Z18	203410765Z18	203410765Z18	203410769T18	203410769T18
6	RODAPÉ TRASEIRO	12	100	1770	1	203410760019	203410760019	203410760019	203410760019	203410760019
7	PRATELEIRA MÓVEL	12	448	582	2	203410760915	203410760915	203410760915	203410760915	203410760915
8	PRATELEIRA FIXA	12	448	582	1	203410760916	203410760916	203410760916	203410760916	203410760916
9	MONTANTE	12	97	1770	1	203410325Z08	203410325Z08	203410325Z08	203410329T08	203410329T08
10	TAMPO	12	350	1770	1	203410765Z20	203410765Z20	203410765Z20	203410769T20	203410769T20
11	TAMPO GAVETEIRO	12	538	1770	1	203410765Z21	203410765Z21	203410765Z21	203410769T21	203410769T21
12	PORTA	15	597	1427	3	203410765Z57	203410765Z57	203410765Z57	203410769T57	203410769T57
13	FRENTE GAVETA	15	163	567	3	203410765Z07	203410765Z07	203410765Z07	203410769T07	203410769T07
14	LATERAL GAVETA	12	110	400	6	203410760999	203410760999	203410760999	203410760999	203410760999
15	COSTA GAVETA	12	110	524	3	203410710902	203410710902	203410710902	203410710902	203410710902
16	RODAPÉ CENTRAL	12	75	468	2	203410760017	203410760017	203410760017	203410760017	203410760017
17	DIVISÓRIA INFERIOR	25	536	171	2	203410765Z03	203410765Z03	203410765Z03	203410769T03	203410769T03
18	COSTA	3	595	1467	3	203310320949	203310320949	203310320949	203310320949	203310320949
19	FUNDO GAVETA	3	407	548	3	203310710908	203310710908	203310710908	203310710908	203310710908
20 - 1076	KIT 6 ESPELHOS	2	234	592	1	-	103200*.C	-	-	103200*.C
20 - 1078	KIT 2 ESPELHOS	3	200	1300	1	-	-	1403001.1	-	-

A,S,T,U	SISTEMA CM129 CELSUS				3			207510320006		
B	PARAFUSO 3,5X12 CC				99			2065351212142		
C	PARAFUSO 3,5X35 CC				6			2065353500018		
D	PARAFUSO 4,5X40 CC				22			2065455000010		
E	MINIFIX PARAFUSO 6X35mm				14			2075063000012		
F	CAVILHA 6X30				50			2080063000016		
G	PREGO 10X10				139			2075101000011		
H	FIXADOR DE COSTAS				28			2075000000020		
I	TAMBOR PARA MINIFIX 12X09mm				14			2075121000015		
J	TAPA FURO ADESIVO 19mm				28			2070100090149		
K	DESLIZADOR DE CAMA				8			2070260027114		
L	SUPORTE CABIDEIRO MEIA CANA				6			2075101000028		
M	CANTONEIRA METAL 18x18x0,75mm				4			2075000010814		
N	CANTONEIRA DE METAL 17x17x45x0,90mm				4			2075000000181		
O	TUBO CABIDEIRO 573mm				3			201810320001		
P	SUPORTE PRATELEIRA 8X7				8			2070200180206		
Q	KIT PERFIS DE ALUMÍNIO 1766mm				1			207510320004		
R	PUXADOR 100mm				6			2075100000012		
V	CANTONEIRA SUPORTE TRIANGULAR 14X14				3			2070000000148		
X	CORREDIÇA 400mm				3			2075400000347		